



STANDARD CONSTRUCTION

MATERIAL:
28 GAUGE ASTM A-653 HOT-DIPPED GALVANIZED STEEL SHEET

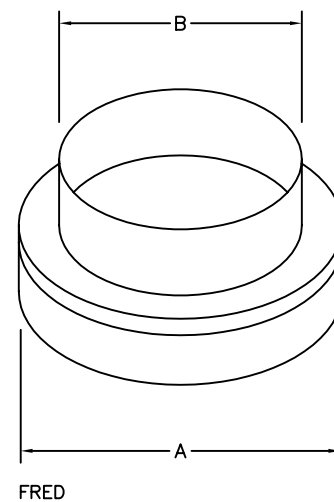
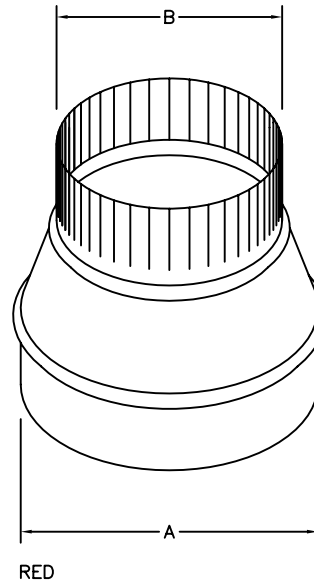
STANDARD SIZES:

STANDARD	FLAT STYLE	SIZE	GAUGE	BOX QTY.
RED43	FRED43	4" X 3"	28	20
RED54	FRED54	5" X 4"	28	20
RED64	FRED64	6" X 4"	28	20
RED65	FRED65	6" X 5"	28	20
RED75	FRED75	7" X 5"	28	20
RED76	FRED76	7" X 6"	28	20
RED86	FRED86	8" X 6"	28	20
RED87	FRED87	8" X 7"	28	20
RED97	FRED97	9" X 7"	28	20
RED98	FRED98	9" X 8"	28	20
RED106	FRED106	10" X 6"	28	20
RED108	FRED108	10" X 8"	28	20
RED109	FRED109	10" X 9"	28	20
RED128	FRED128	12" X 8"	28	20
RED1210	FRED1210	12" X 10"	28	20
RED1410	FRED1410	14" X 10"	28	1
RED1412	FRED1412	14" X 12"	28	1
RED1612	FRED1612	16" X 12"	28	1
RED1816	FRED1816	18" X 16"	28	1
RED2018	FRED2018	20" X 18"	28	1

FEATURES

GALVANIZED STEEL PROVIDES EXCELLENT CORROSION RESISTANCE AND LONGEVITY.

OPTION: CUSTOM SIZES AVAILABLE.
AVAILABLE IN 26 GAUGE
AVAILABLE IN 24 GAUGE
AVAILABLE WITH OR WITHOUT CRIMP.



JOB NAME:
LOCATION:
ARCHITECT:
ENGINEER:
CONTRACTOR:
CONTACT MIAMI TECH INC. FOR ADDITIONAL INFORMATION OR WITH SPECIAL REQUIREMENTS. 3611 NW 74TH ST MIAMI, FL 33147 PHONE: 305-693-7054 FAX: 305-693-6152 WEB: WWW.MIAMITECH.COM EMAIL: SALES@MIAMITECH.COM

RED / FRED

REDUCER / FLAT REDUCER
PRODUCT SPECIFICATIONS

NOTE: ALL DRAWINGS SUBJECT TO CHANGE WITHOUT PRIOR NOTICE.



DRAWN BY:	AF
CHECKED BY:	IG

DATE:	10/30/07
DATE:	10/30/07

SCALE:	NOT TO SCALE
REVISION:	1

DRAWING NO.	RED/FRED
-------------	----------