



STANDARD CONSTRUCTION

MATERIAL:
26/28 GAUGE ASTM A-653 HOT-DIPPED GALVANIZED STEEL SHEET

CONSTRUCTION:
MECHANICALLY RIVETED / STITCH WELDED

STANDARD SIZES:

PLAIN	W/ DAMPER	W/ DAMPER AND STANDOFF	DIAMETER	LENGTH	WIDTH	HEIGHT	GAUGE	QTY.
RT4	RTD4	RTDS4	4"	8"	6"	11"	28	1
RT5	RTD5	RTDS5	5"	10"	5"	11"	28	1
RT6	RTD6	RTDS6	6"	12"	6"	11 1/2"	28	1
RT7	RTD7	RTDS7	7"	12"	6"	11 1/2"	28	1
RT8	RTD8	RTDS8	8"	12"	6"	11 1/2"	28	1
RT9	RTD9	RTDS9	9"	15"	6"	11 3/4"	28	1
RT10	RTD10	RTDS10	10"	16"	6 3/4"	11 3/4"	28/26	1
RT12	RTD12	RTDS12	12"	18"	8 1/2"	11 3/4"	28/26	1
RT14	RTD14	RTDS14	14"	20"	9 1/2"	13 1/4"	28/26	1
RT16	RTD16	RTDS16	16"	24"	12"	13 1/2"	28/26	1
RT18	RTD18	RTDS18	18"	26"	14"	15 1/4"	28/26	1
RT20	RTD20	RTDS20	20"	28"	16"	15 1/4"	28/26	1

FEATURES

GALVANIZED STEEL PROVIDES EXCELLENT CORROSION RESISTANCE AND LONGEVITY.

CONTINUOUS WELDED SEAM PREVENTS AIR LEAKAGE.

1" FLANGE WITH GASKETED FACE HELPS TO MAKE A SECURE CONNECTION. FLANGE IS PRE-DRILLED TO ALLOW FOR EASIER INSTALLATION.

DAMPER HAS REINFORCED AXIS AND STANDOFF ALLOWS FOR LOCKING THE REGULATOR.

OPTIONS:

- CUSTOM SIZES AVAILABLE.
- AVAILABLE WITH DAMPER (RTD)
- AVAILABLE WITH DAMPER AND STANDOFF (RTDS: SO style; RTDSOE: SOE style)
- AVAILABLE WITH FIBERGLASS TABS ON ALL MODELS (PART#-F, i.e. "RTDS8-F")

JOB NAME: _____

LOCATION: _____

ARCHITECT: _____

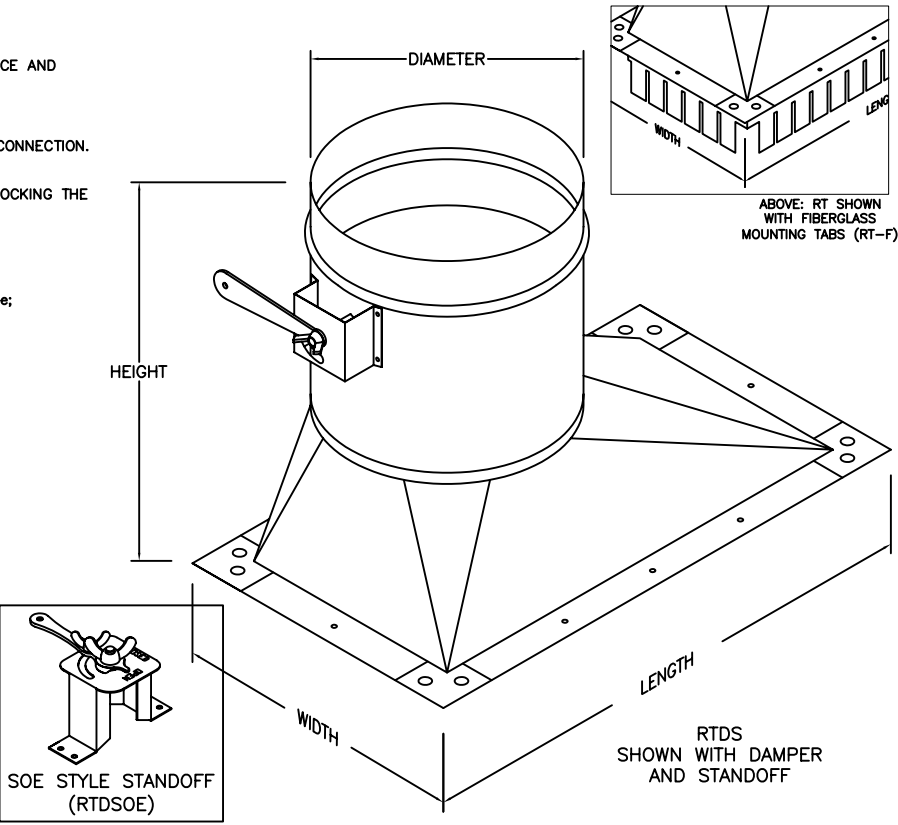
ENGINEER: _____

CONTRACTOR: _____

CONTACT MIAMI TECH INC. FOR ADDITIONAL INFORMATION OR WITH SPECIAL REQUIREMENTS.

3611 NW 74TH ST
MIAMI, FL 33147
PHONE: 305-693-7054 FAX: 305-693-6152

WEB: WWW.MIAMITECH.COM
EMAIL: SALES@MIAMITECH.COM



RT

**RECTANGULAR TRANSITION
PRODUCT SPECIFICATIONS**

NOTE: ALL DRAWINGS SUBJECT TO CHANGE WITHOUT PRIOR NOTICE.



DRAWN BY: AF	DATE: 10/10/07	SCALE: NOT TO SCALE	DRAWING NO. RT
CHECKED BY: IG	DATE: 7/11/11	REVISION: C	