

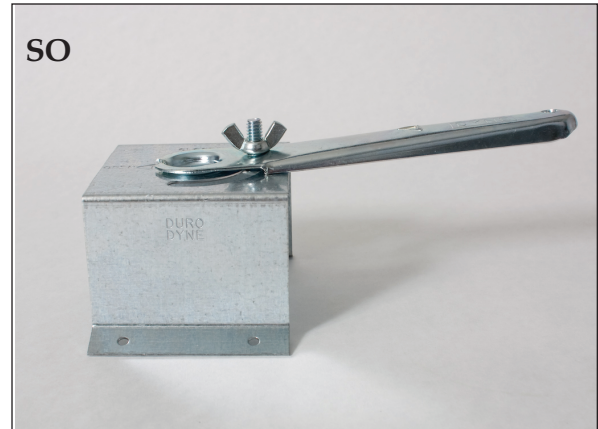
COLLAR OPTIONS

STAND-OFF OPTION

Features:

Two-inch stand-off equipped with butterfly-nuts top and bottom to lock in damper, as well as a position lock nut. Designed for commercial applications.

Add "SO" to part number to indicate this option.



E-STYLE STAND-OFF OPTION

Features:

Two-inch stand-off equipped with butterfly-nuts top and bottom to lock in damper, as well as a position lock nut. For use on any fitting damper. Designed for light commercial and residential applications.

Add "SOE" to part number to indicate this option.

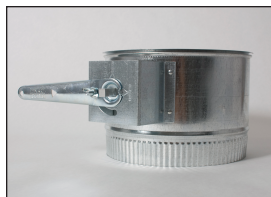
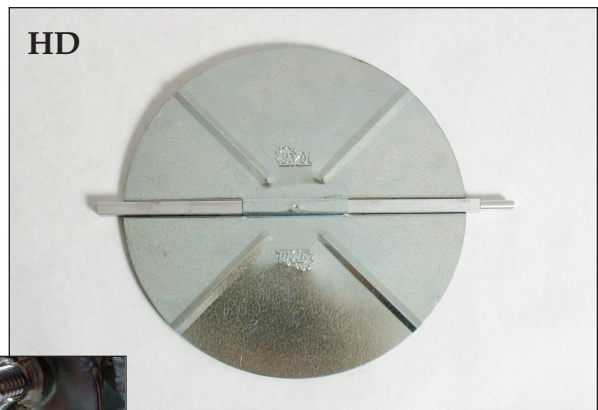


HD (HEAVY DUTY) STAND-OFF OPTION

Features:

Equipped with a heavy duty handle and a position lock nut on 2" stand off (1" stand off available). 3/8" aluminum square rod shaft and 22GA damper blade for heavy duty applications. Nylon bushings on both ends of damper. Ideal for commercial and high-volume applications.

Add "HD" to part number to indicate this option.

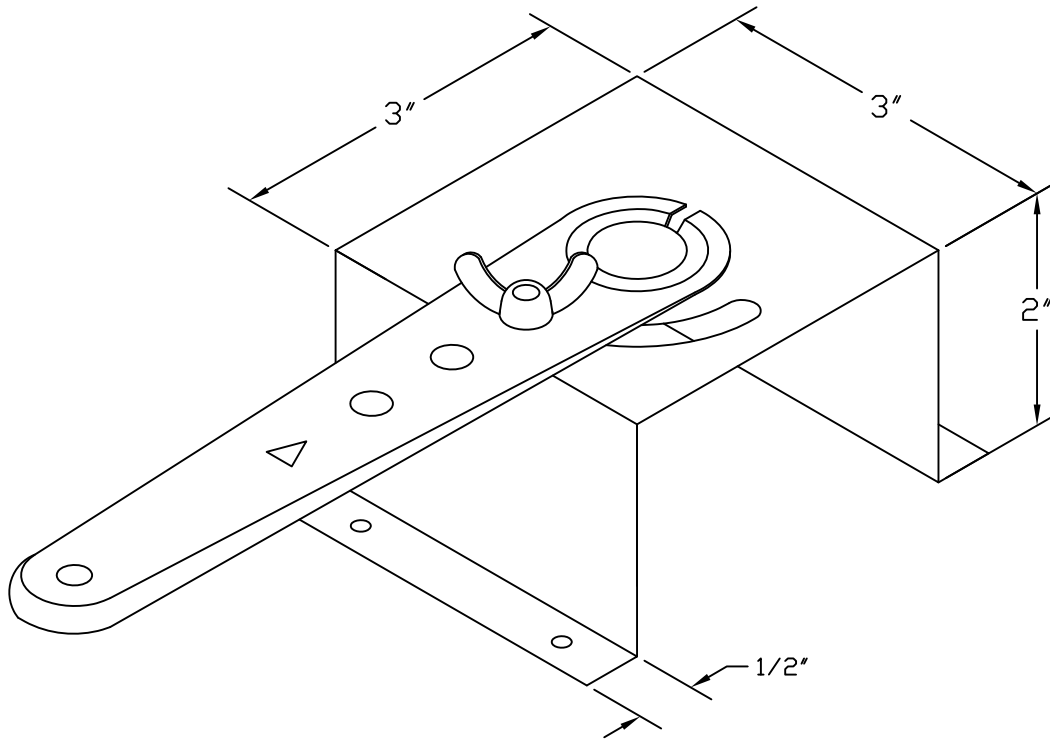


MSIC-5HD



RTDS-HD





JOB NAME:
LOCATION:
ARCHITECT:
ENGINEER:
CONTRACTOR:
CONTACT MIAMI TECH INC. FOR ADDITIONAL INFORMATION OR WITH SPECIAL REQUIREMENTS. 3611 NW 74TH ST MIAMI, FL 33147 PHONE: 305-693-7054 FAX: 305-693-6152 WEB: WWW.MIAMITECH.COM EMAIL: SALES@MIAMITECH.COM

STANDARD CONSTRUCTION :

22GA GALVANIZED STEEL

FEATURES:

EQUIPPED W/ BUTTERFLY-NUTS TOP AND BOTTOM TO LOCK IN DAMPER, AS WELL AS A POSITION LOCK NUT.

AVAILABLE ON THE FOLLOWNG MODELS:

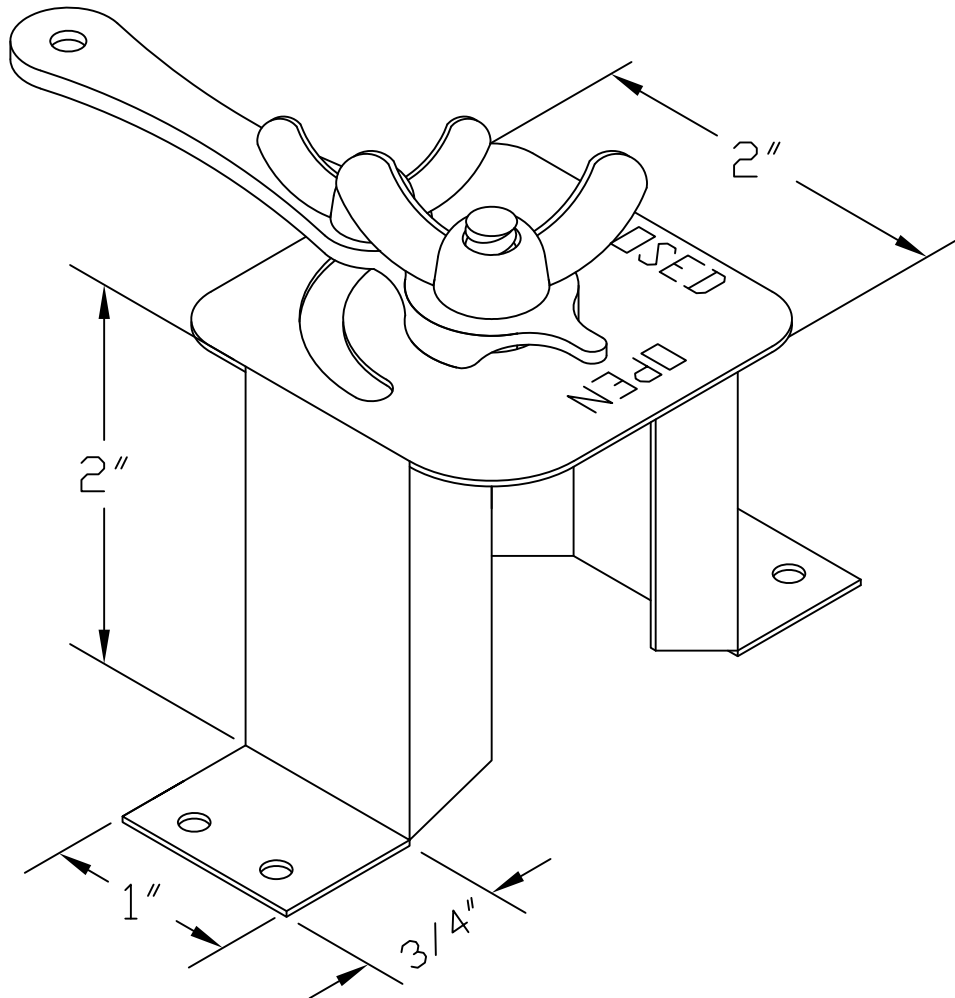
261D, FSC/FSCT, MSIC/MSICT, SD, SSC/SSCT, TCD/TCZD, RTDS

**STAND OFF OPTION
PRODUCT SPECIFICATIONS**

NOTE: ALL DRAWINGS SUBJECT TO CHANGE WITHOUT PRIOR NOTICE.



DRAWN BY: AV	DATE: 5-10-2011	SCALE: NOT TO SCALE	DRAWING NO. SO
CHECKED BY: IV	DATE:	REVISION: 01	



JOB NAME:
LOCATION:
ARCHITECT:
ENGINEER:
CONTRACTOR:
CONTACT MIAMI TECH INC. FOR ADDITIONAL INFORMATION OR WITH SPECIAL REQUIREMENTS. 3611 NW 74TH ST MIAMI, FL 33147 PHONE: 305-693-7054 FAX: 305-693-6152 WEB: WWW.MIAMITECH.COM EMAIL: SALES@MIAMITECH.COM

STANDARD CONSTRUCTION :

22GA GALVANIZED STEEL

FEATURES:

EQUIPPED W/ BUTTERFLY-NUTS TOP AND BOTTOM TO LOCK IN DAMPER, AS WELL AS A POSITION LOCK NUT.

FOR USE ON ANY FITTING WITH DAMPER.

**E-STYLE STAND OFF OPTION
PRODUCT SPECIFICATIONS**

NOTE: ALL DRAWINGS SUBJECT TO CHANGE WITHOUT PRIOR NOTICE.



DRAWN BY: AV	DATE: 08.03.2009	SCALE: NOT TO SCALE	DRAWING NO. SOE
CHECKED BY: IV	DATE: 08.03.2009	REVISION: 01	



STANDARD CONSTRUCTION :

22GA GALVANIZED STEEL

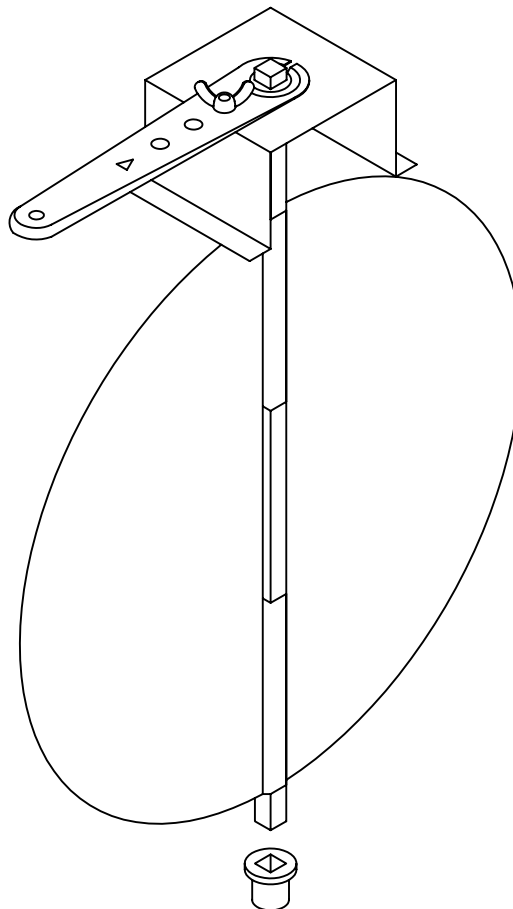
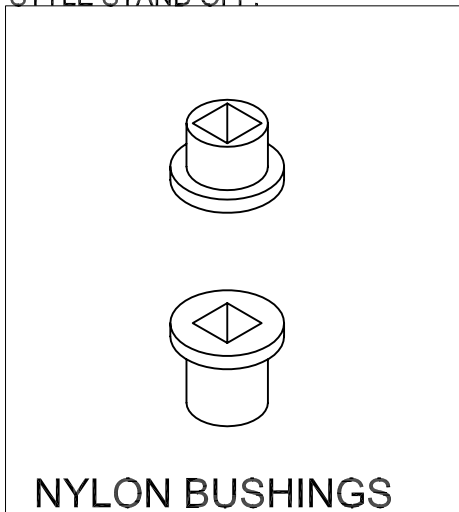
FEATURES:

EQUIPPED W/ A HEAVY DUTY HANDLE AND A POSITION LOCK NUT ON 2" STAND OFF (1"STANDOFF AVAILABLE).

3/8" ALUMINUM SQUARE ROD SHAFT AND 22GA DAMPER BLADE FOR HEAVY DUTY APPLICATIONS.

NYLON BUSHINGS ON BOTH ENDS OF DAMPER.

FOR USE ON ANY FITTING AVAILABLE WITH "SO" STYLE STAND OFF.



JOB NAME:
LOCATION:
ARCHITECT:
ENGINEER:
CONTRACTOR:
CONTACT MIAMI TECH INC. FOR ADDITIONAL INFORMATION OR WITH SPECIAL REQUIREMENTS.
3611 NW 74TH ST MIAMI, FL 33147
PHONE: 305-693-7054 FAX: 305-693-6152
WEB: WWW.MIAMITECH.COM EMAIL: SALES@MIAMITECH.COM

**HD (HEAVY DUTY)
STAND OFF OPTION
PRODUCT SPECIFICATIONS**

NOTE: ALL DRAWINGS SUBJECT TO CHANGE WITHOUT PRIOR NOTICE.



<small>DRAWN BY:</small> AV	<small>DATE:</small> 12/13/2010	<small>SCALE:</small> NOT TO SCALE	<small>DRAWING NO.:</small> HD
<small>CHECKED BY:</small> IV	<small>DATE:</small> 1/10/11	<small>REVISION:</small> B	