



**STANDARD CONSTRUCTION**

OUTSIDE CASING /TOP  
30 GAUGE HOT -DIPPED GALVANIZED STEEL

PERIMETER FLANGE:  
30 GAUGE HOT DIPPED GALVANIZED STEEL  
COLLAR: 30 GAUGE HOT DIPPED GALVANIZED STEEL

INSULATION:  
R4.2,R6 OR R8 BLACK DIFFUSER BOARD

OPTIONS:  
W/ OUT COLLAR (R4/R6/R8BF)  
W/OUT FLANGE (R4/R6/R8MTBU)  
W/ GASKET (R4/R6/R8MTBG)  
CUSTOM SIZES AVAILABLE

**FEATURES**

1" PERIMETER FLANGE PROVIDED FOR EASY INSTALLATION

DESIGN INCLUDES 1/2" DRYWALL LIP AND ROUNDED CORNERS FOR ADDED SAFETY

OPENING 1/4" OVERSIZED TO ACCOMMODATE REGISTER /GRILLE.

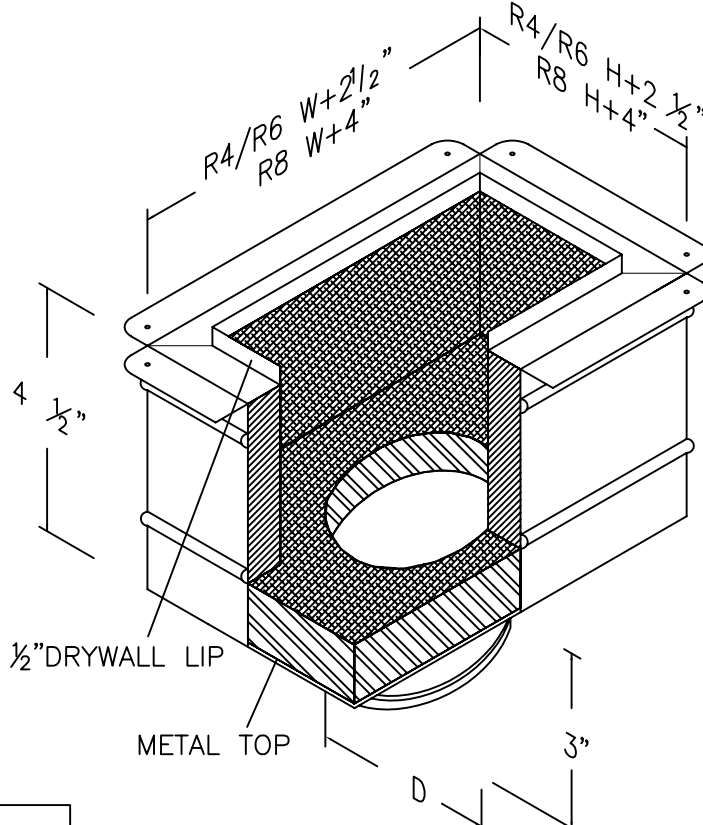
COLLAR INSTALLED WITH EXPANSION LOCK AND THEN SEALED AIR TIGHT WITH HOT MELT GLUE.

DUAL BEAD BOX DESIGN FOR ADDED STRENGTH.

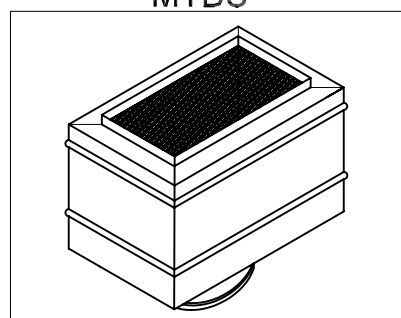
BLACK DIFFUSER BOARD COATED WITH EPA-REGISTERED,ANTI-MICROBIAL,PROTECTIVE ACRYLIC AGENT ALONG AIR STREAM SIDE.

**STANDARD SIZES :**

W X H X D
6"X 4"X 4"
6"X 4"X 5"
6"X 6"X 4"
6"X 6"X 5"
6"X 6"X 6"
8"X 4"X 4"
8"X 4"X 5"
8"X 4"X 6"
8"X 6"X 5"
6"X 6"X 6"
8"X 6"X 7"
8"X 6"X 8"
8"X 8"X 7"
8"X 8"X 8"
10"X 6"X 5"
10"X 6"X 6"
10"X 6"X 7"
10"X 8"X 7"
10"X 8"X 8"
12"X 6"X 6"
12"X 6"X 8"
12"X12"X 8"
14"X 6"X 6"
14"X 8"X 8"
14"X14"X10"



**MTBU**



JOB NAME: \_\_\_\_\_

LOCATION: \_\_\_\_\_

ARCHITECT: \_\_\_\_\_

ENGINEER: \_\_\_\_\_

CONTRACTOR: \_\_\_\_\_

CONTACT MIAMI TECH INC. FOR ADDITIONAL INFORMATION OR WITH SPECIAL REQUIREMENTS.

3611 NW 74TH ST  
MIAMI, FL 33147  
PHONE: 305-693-7054 FAX: 305-693-6152

WEB: WWW.MIAMITECH.COM  
EMAIL: SALES@MIAMITECH.COM

**R4/R6/R8MTB**

FLANGED METAL TOP  
REGISTER BOX WITH COLLAR  
PRODUCT SPECIFICATIONS

NOTE: ALL DRAWINGS SUBJECT TO CHANGE WITHOUT PRIOR NOTICE.



DRAWN BY: AF	DATE: 01/06/2009	SCALE: NOT TO SCALE	DRAWING NO. R4R6R8MTB
CHECKED BY: IV	DATE: 01/06/2009	REVISION: 01	