



M&M Manufacturing Company

www.mmmfg.com

PROPRIETARY INFORMATION
THIS DRAWING AND/OR DATA SHEET, AND THE
CONFIDENTIAL PROPRIETARY INFORMATION THEREON, ARE
THE PROPERTY OF M&M MANUFACTURING, INC. AND ARE
NOT TO BE REPRODUCED OR COPIED IN WHOLE OR IN
PART, OR USED FOR UNAUTHORIZED MANUFACTURING OR
ANY OTHER EXPLOITATION OF THE ITEM DISCLOSED
THEREIN, OR IN ANY OTHER WAY DISCLOSED OR
USED FOR FURNISHING INFORMATION.

AUSTIN
(512)-960-2370

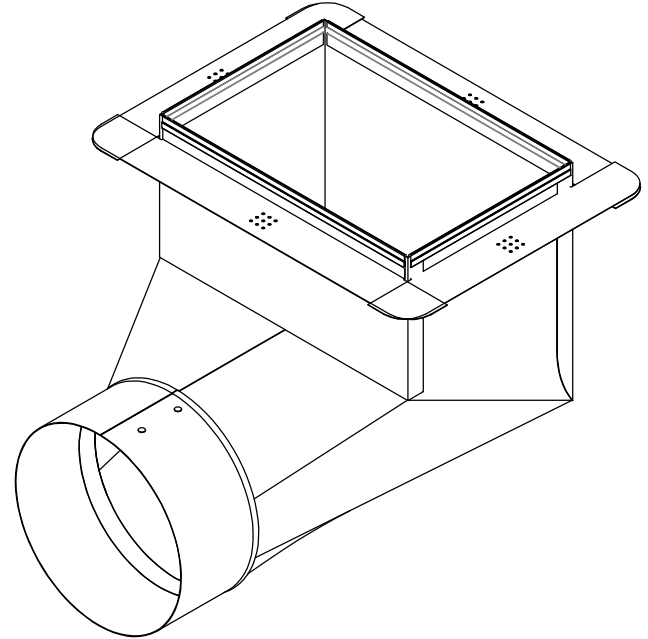
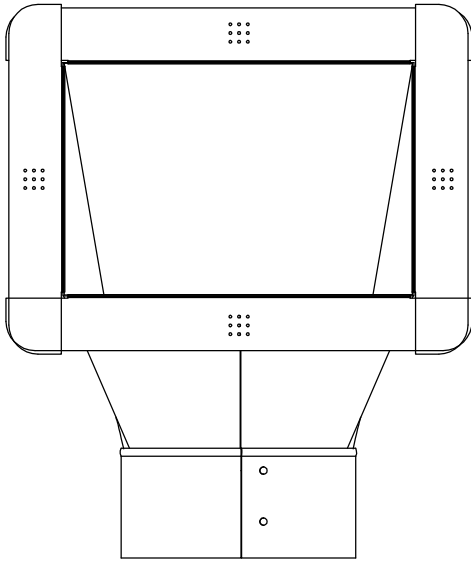
DALLAS
(972)-485-1504

FORT WORTH
(Adolph)
(817)-334-0034

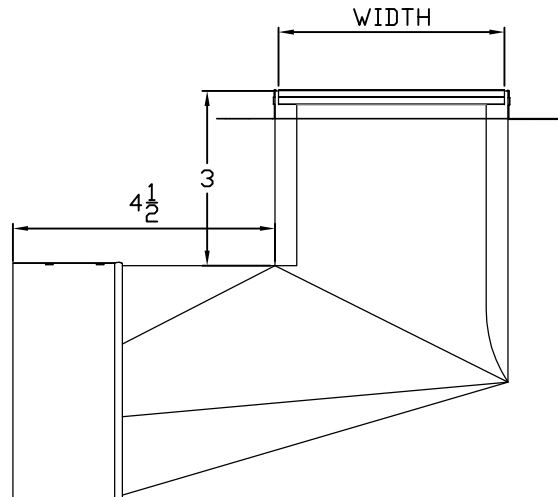
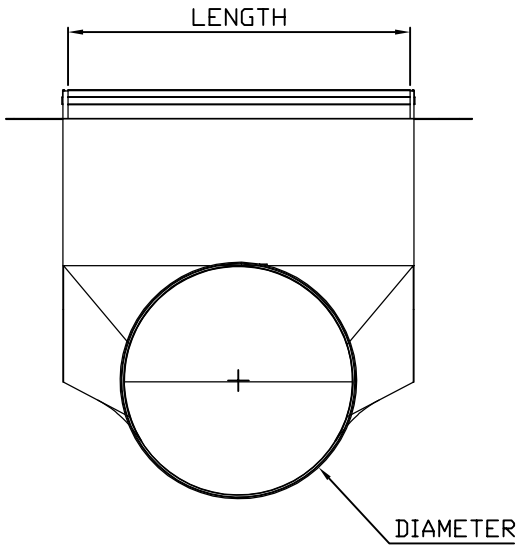
FORT WORTH
(MKIV)
(817)-336-2311

HOUSTON
(713)-690-0585

LITTLE ROCK
(501)-888-3042



ISOMETRIC VIEW



PART #: 203RF

DESCRIPTION: 203RF 90° ANGLE REGISTER BOOTS W/FLANGE & 6" EXT.

NOTES: #203RF Register Boots are shipped loose.

ASTM-A653 CS B galvanized steel

Order as Pt# 203RF (size)