



# M&M Manufacturing Company

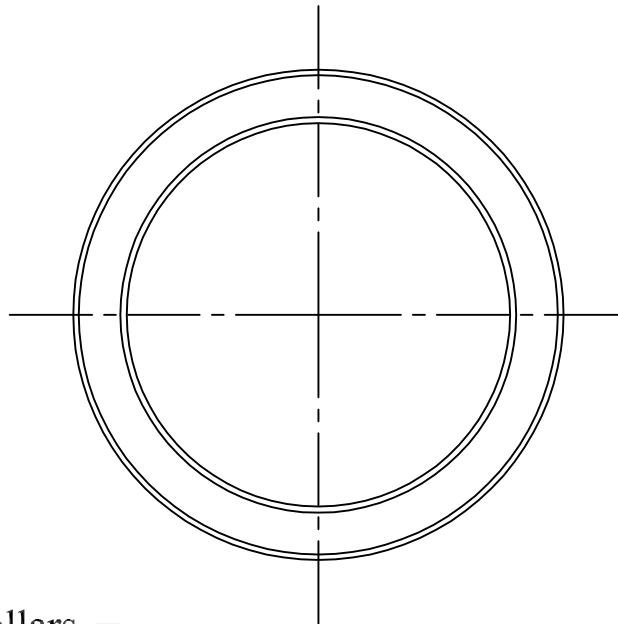
[www.mmmfg.com](http://www.mmmfg.com)

FORT WORTH (MkIV)  
(817)-336-2311

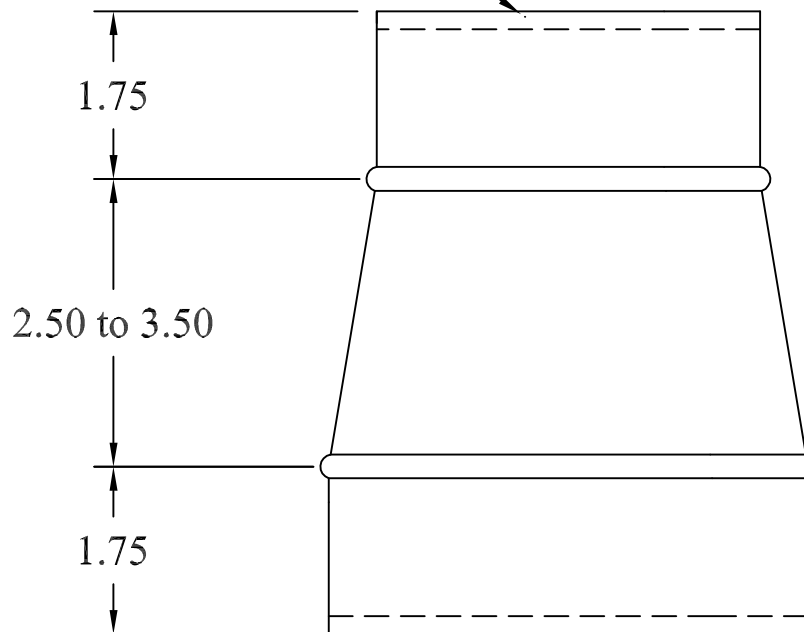
FORT WORTH (Adolph)  
(817)-334-0034

DALLAS  
(972)-485-1504

HOUSTON  
(713)-690-0585



Hemmed Collars



**PART #:** 400(Size) **DESCRIPTION:** ROUND REDUCER

**NOTES:** Material: 3" - 10" = 30 ga.; 12" - 18" = 28 ga.; 20" - 24" = 26 ga.

ASTM-A653 CS B galvanized steel

Larger diameter determines gauge

Order as Pt# 400(larger diameter)(smaller diameter)