



M&M Manufacturing Company

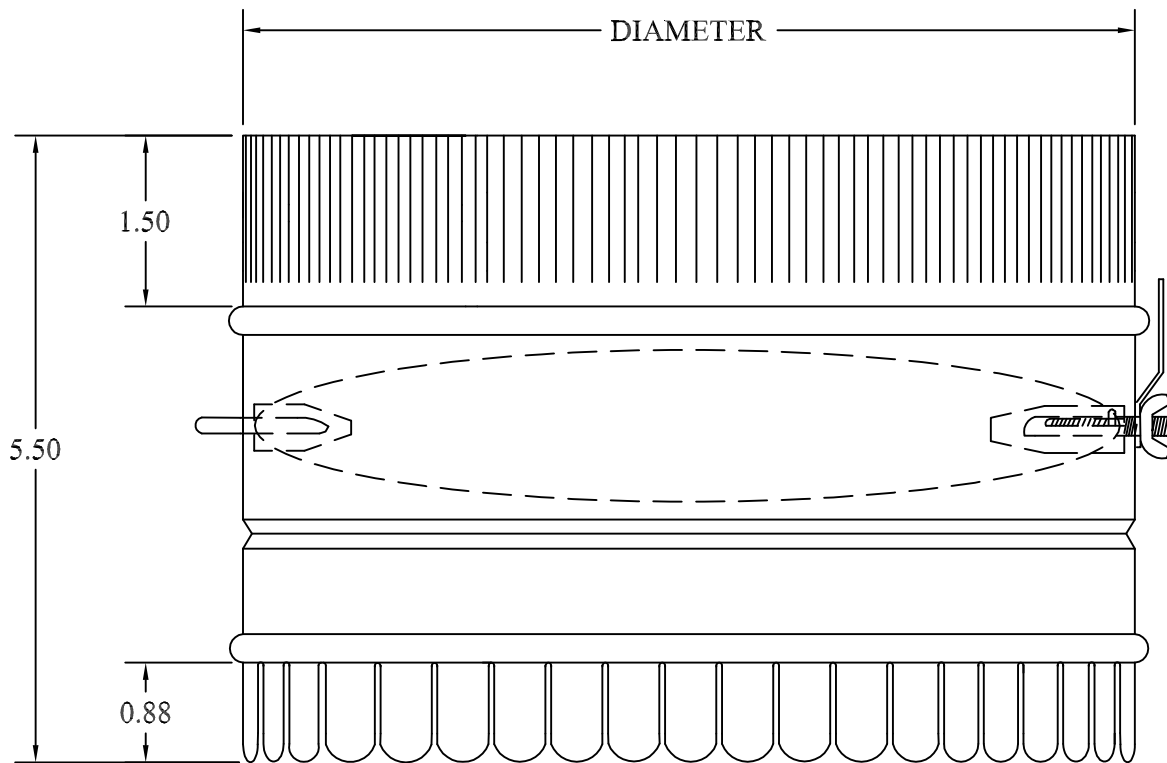
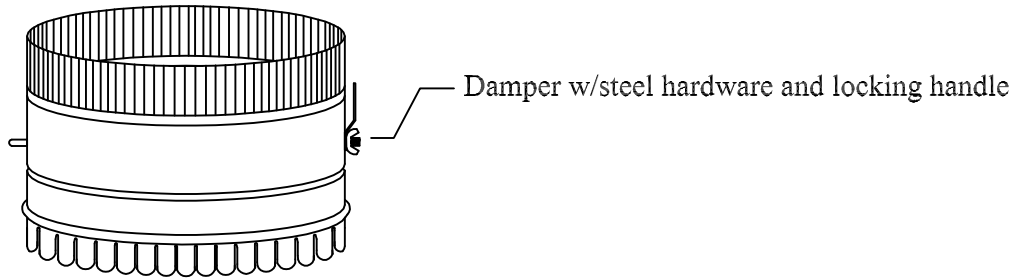
www.mmmfg.com

FORT WORTH (MkIV)
(817)-336-2311

FORT WORTH (Adolph)
(817)-334-0034

DALLAS
(972)-485-1504

HOUSTON
(713)-690-0585



PART #: 500D(Size) **DESCRIPTION:** Round metal starting collar with damper

NOTES: Material: 4" - 10" = 30 ga.; 12" - 24" = 28 ga.

ASTM-A653 CS B galvanized steel

Order as Pt# 500D(diameter in inches)