



# M&M Manufacturing Company

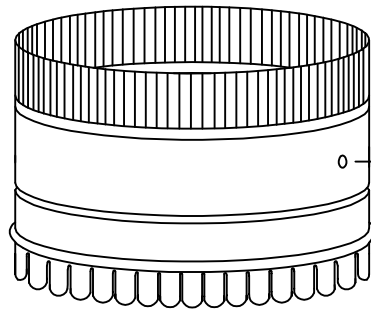
[www.mmmfg.com](http://www.mmmfg.com)

FORT WORTH (MkIV)  
(817)-336-2311

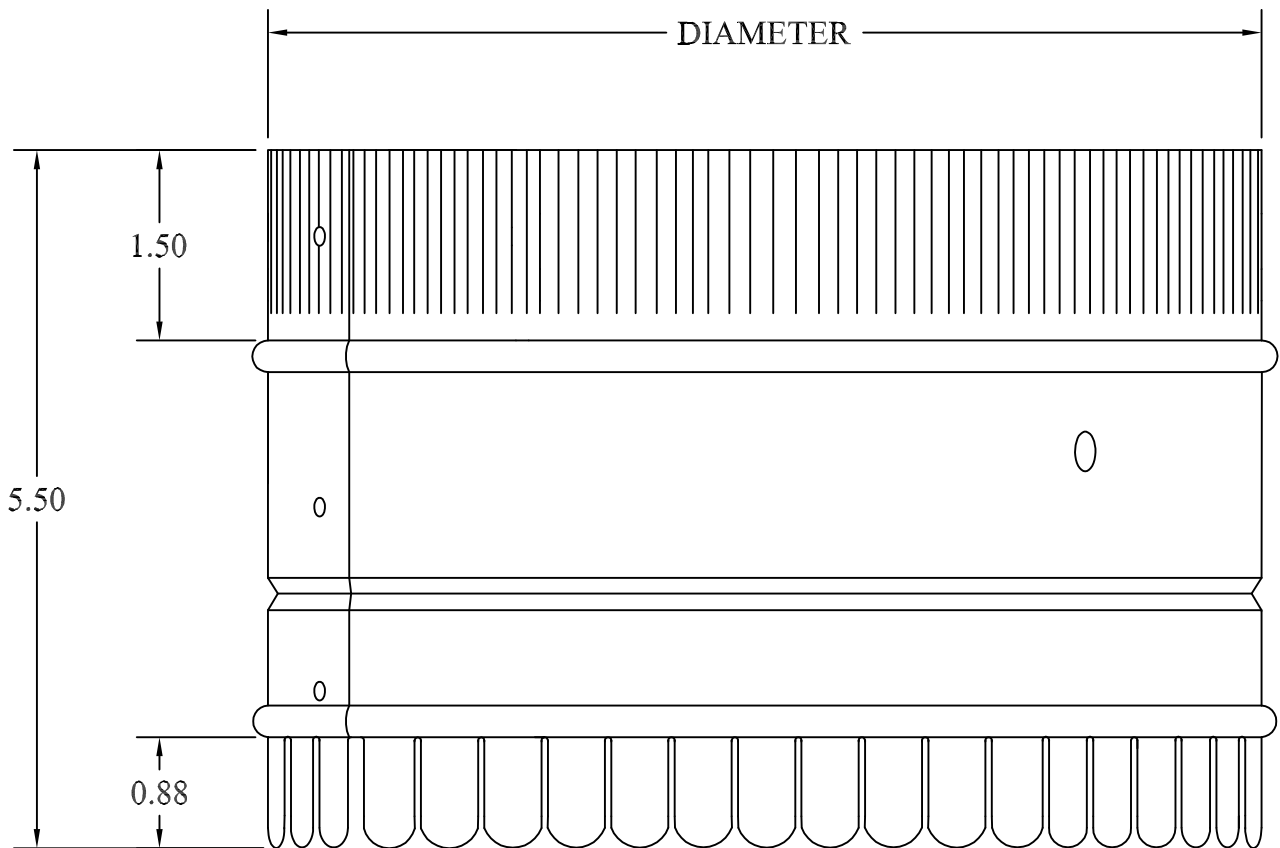
FORT WORTH (Adolph)  
(817)-334-0034

DALLAS  
(972)-485-1504

HOUSTON  
(713)-690-0585



5/16" diameter holes for damper



**PART #:** 500H(Size) | **DESCRIPTION:** Round metal starting collar

**NOTES:** Material: 4" - 10" = 30 ga.; 12" - 24" = 28 ga.

ASTM-A653 CS B galvanized steel

Order as Pt# 500H(diameter in inches)