



M&M Manufacturing Company

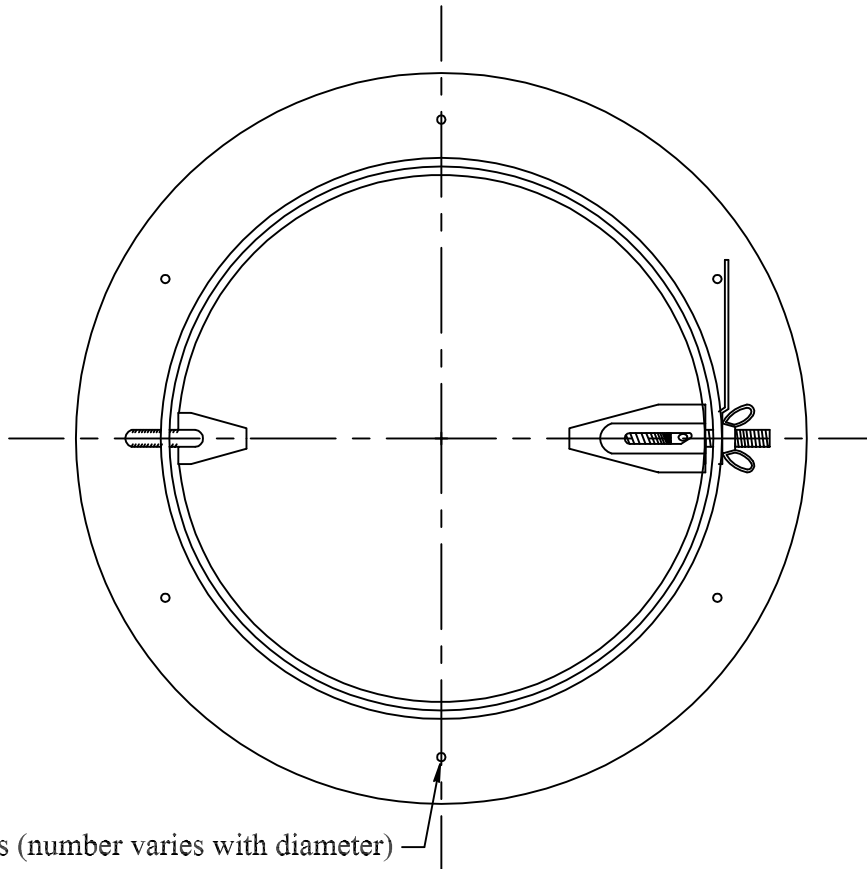
www.mmmfg.com

FORT WORTH (MkIV)
(817)-336-2311

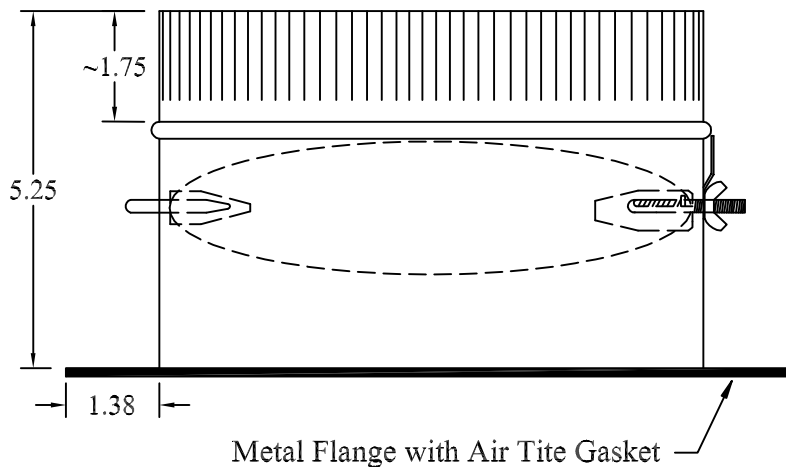
FORT WORTH (Adolph)
(817)-334-0034

DALLAS
(972)-485-1504

HOUSTON
(713)-690-0585



Mounting holes (number varies with diameter)



PART #: 503ATD(Size) **DESCRIPTION:** Round Air Tite starting collar w/damper

NOTES: Material: 4" - 10" = 30 ga.; 12" - 14" = 28 ga.; 16" - 18" = 26 ga.

ASTM-A653 CS B galvanized steel

Air Tite flange with gasket

Plated steel damper hardware with locking handle

Order as Pt# 503ATD(Diameter in inches)