



# M&M Manufacturing Company

[www.mmmfg.com](http://www.mmmfg.com)

AUSTIN  
(512)-960-2370

DALLAS  
(972)-485-1504

FORT WORTH  
(Adolph)  
(817)-334-0034

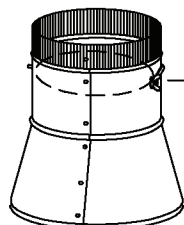
FORT WORTH  
(MKIV)  
(817)-336-2311

HOUSTON  
(713)-690-0585

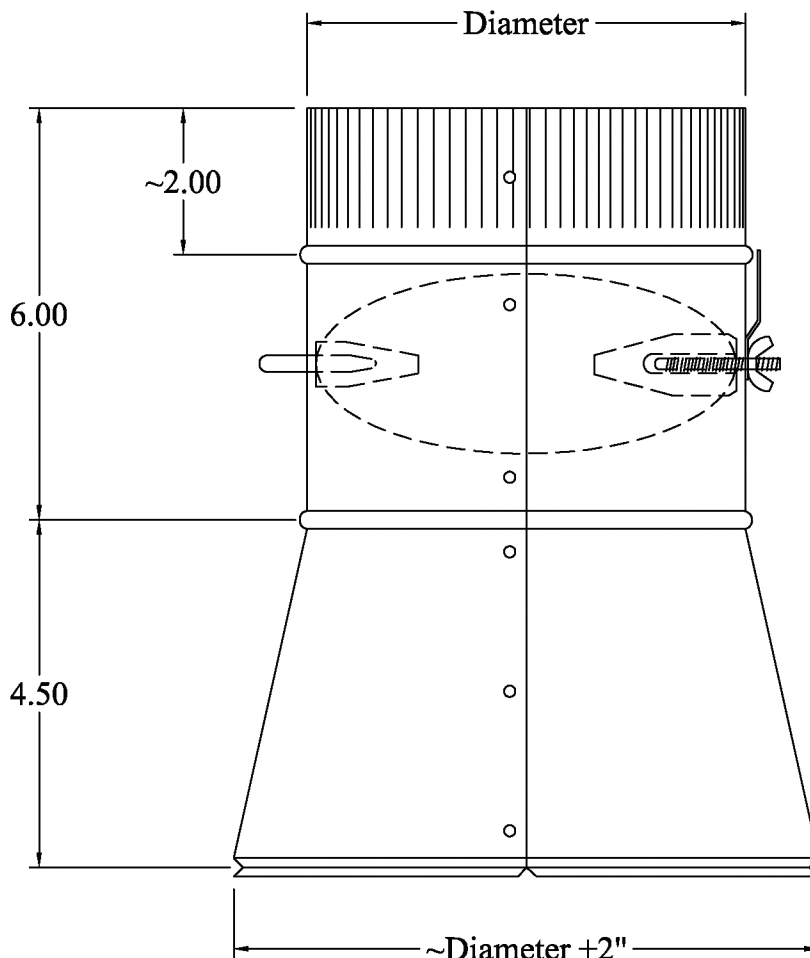
LITTLE ROCK  
(501)-888-3042

**PROPRIETARY INFORMATION**

THIS DRAWING AND/OR DATA SHEET, AND THE CONFIDENTIAL PROPRIETARY INFORMATION THEREON, ARE THE PROPERTY OF M&M MANUFACTURING, INC. AND ARE NOT TO BE REPRODUCED OR COPIED IN WHOLE OR IN PART, OR USED FOR UNAUTHORIZED MANUFACTURING OR ANY OTHER EXPLOITATION OF THE ITEM DISCLOSED THEREIN, OR IN ANY OTHER WAY DISCLOSED OR USED FOR FURNISHING INFORMATION.



Damper with steel hardware & locking handle



**PART #:** 505D(Size)

**DESCRIPTION:** Conical Metal Spin In Starting Collar

**NOTES:** Material: 4" - 14" = 28 ga.; 16" - 18" = 26 ga.; 20" = 24 ga.

**ASTM-A653 CS B galvanized steel**

**4" W.C. Positive Pressure Commercial SMACNA Gauge**

**Order as #505D(diameter in inches)**