



M&M Manufacturing Company

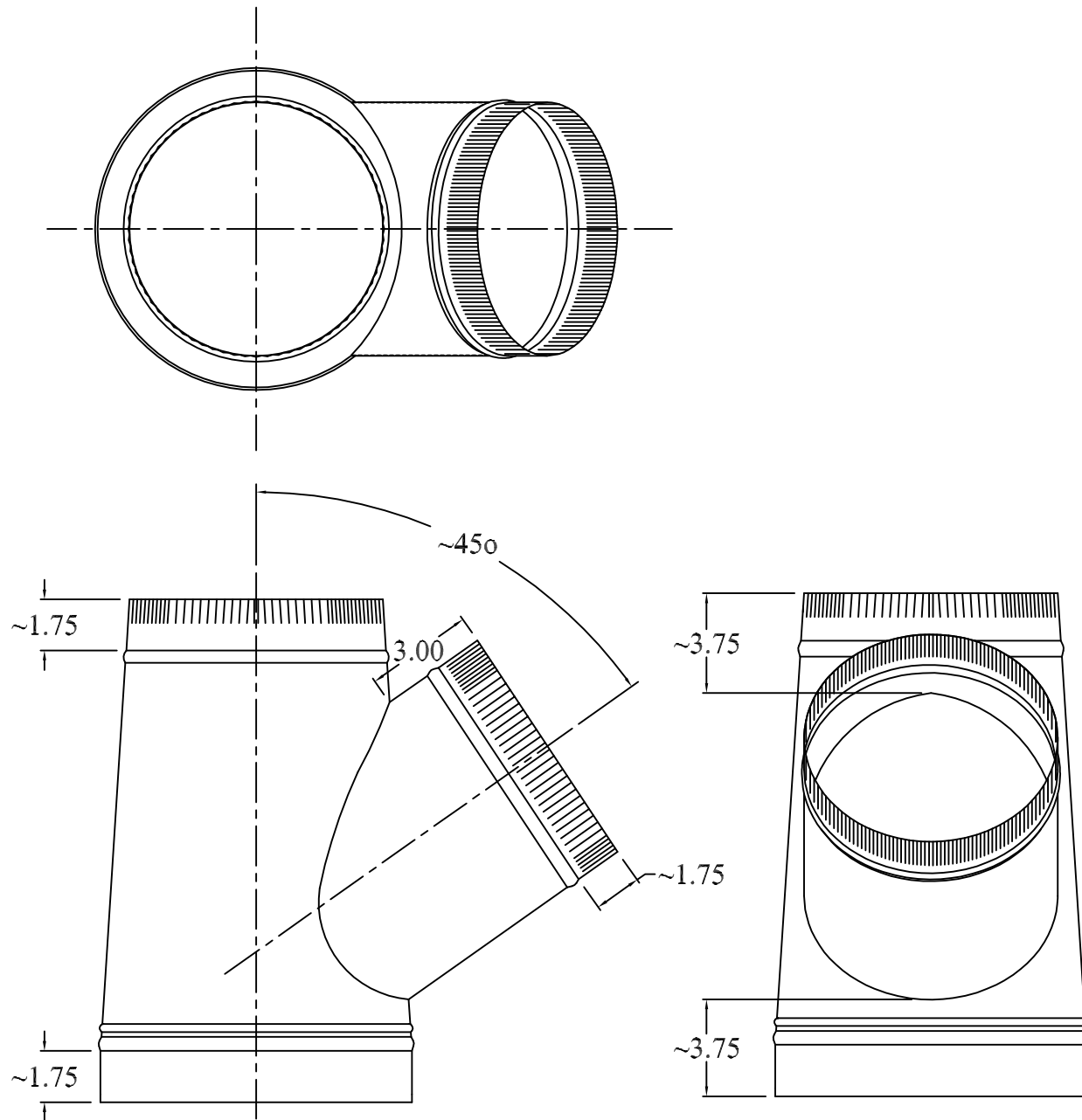
www.mmmfg.com

FORT WORTH (MkIV)
(817)-336-2311

FORT WORTH (Adolph)
(817)-334-0034

DALLAS
(972)-485-1504

HOUSTON
(713)-690-0585



PART #: 800(Size) | **DESCRIPTION:** Round 450 lateral wye

NOTES: Material: 3" - 10" = 30 ga.; 12" - 18" = 28 ga.; 20" - 24" = 26 ga.

ASTM-A653 CS B galvanized steel

Major diameter determines gauge

Order as Pt# 800(Inlet in inches)(Outlet in inches)(Branch in inches)

Some sizes may be factory sealed DucTite® wyes