

4

3

2

1

THIS DRAWING IS UNPUBLISHED.

RELEASED FOR PUBLICATION 28JAN05 ,28JAN05

LOC

DIST

REVISIONS

© COPYRIGHT - By -

ALL RIGHTS RESERVED.

HB

00

P

LTR

DESCRIPTION

DATE

DWN

APVD

B

CHANGE TE LOGO, ECO-11-024702

20AUG2012

HL

BH

ELECTRICAL CHARACTERISTICS

COIL DATA:

NOMINAL VOLTAGE: 22 VDC  
 OPERATE VOLTAGE: 16.5 VDC MAX. @ 25°C  
 RELEASE VOLTAGE: 2.2 VDC MIN. @ 25°C  
 RESISTANCE/OHMS: 294 ±10%  
 OPERATE TIME: 25 MS MAX. INCLUDING BOUNCE  
 RELEASE TIME: 25 MS MAX. INCLUDING BOUNCE

CONTACT DATA:

ARRANGEMENT: 2 FORM A (DPST-N.O.)  
 MATERIAL: SILVER CADMIUM OXIDE  
 RATING: 30A @ 120/277VAC, RESISTIVE  
 1HP @ 120VAC, 2.5HP @ 240VAC

MECHANICAL DATA:

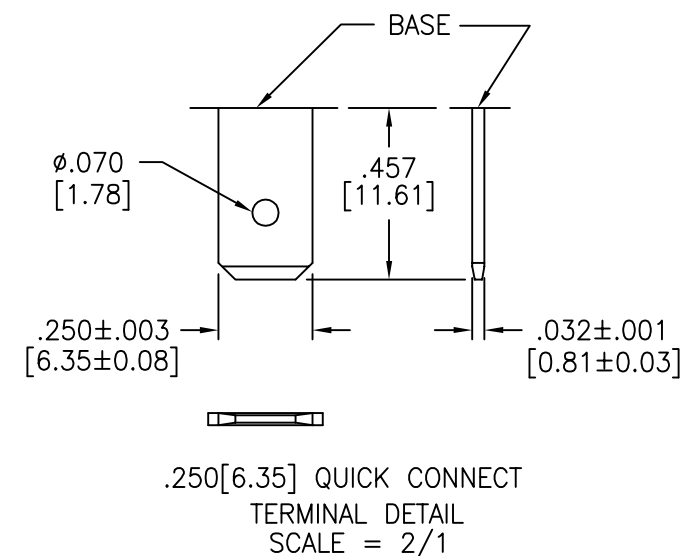
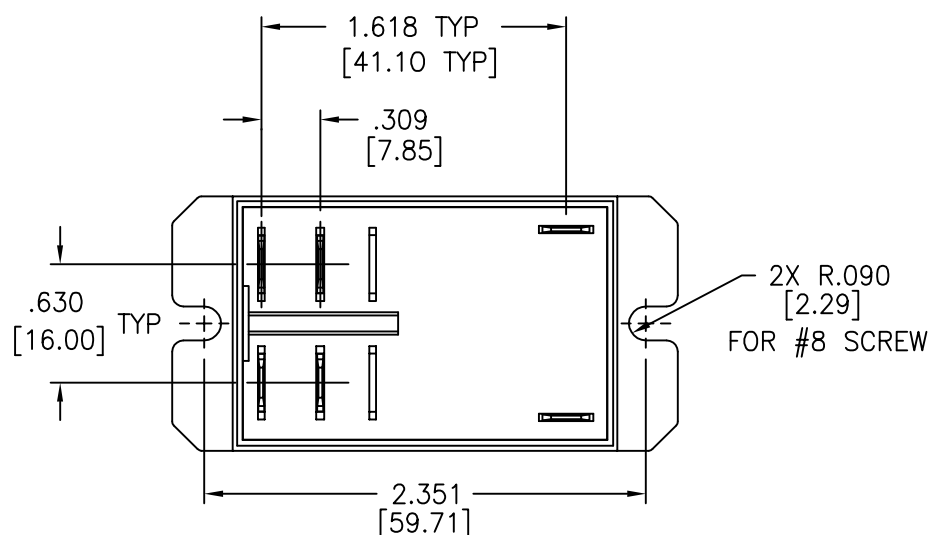
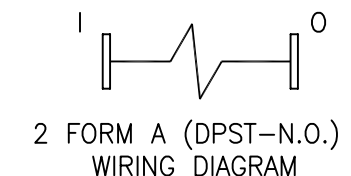
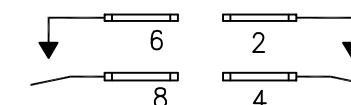
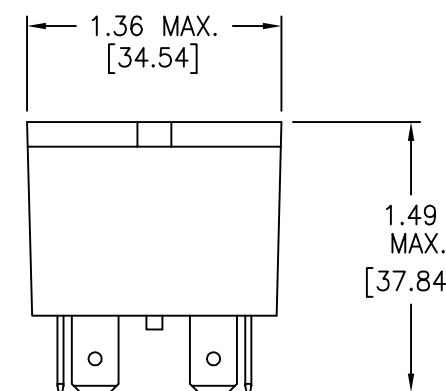
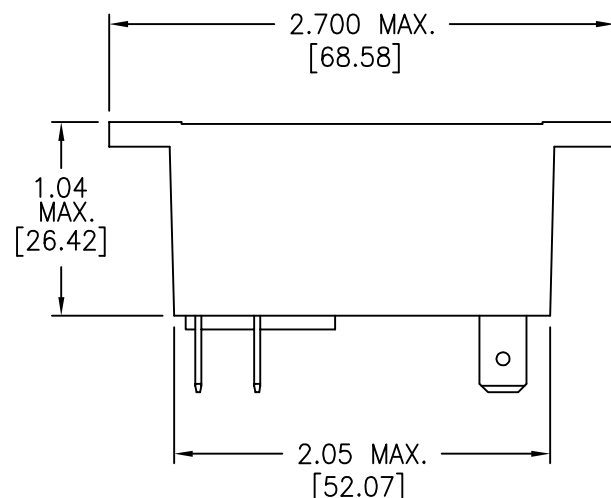
MECHANICAL LIFE: 5 MILLION OPERATIONS

ENVIRONMENTAL DATA:

TEMPERATURE RANGE: STORAGE: -55°C TO +155°C  
 OPERATING: -40°C TO +85°C

DIELECTRIC BREAKDOWN:

4,000V rms, 60Hz. BETWEEN CONTACTS & COIL  
 1,500V rms, 60Hz. ACROSS OPEN CONTACTS  
 2,000V rms, 60Hz. BETWEEN POLES



THIS DRAWING IS A CONTROLLED DOCUMENT.

DWN W.SORAH 28JAN2005

CHK R.HANNAH 28JAN05

APVD R.HANNAH 28JAN05

PRODUCT SPEC

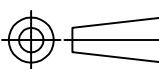
APPLICATION SPEC

WEIGHT -

CUSTOMER DRAWING

DIMENSIONS:

INCHES



TOLERANCES UNLESS OTHERWISE SPECIFIED:

0 PLC ± -  
 1 PLC ± .1 [2.54]  
 2 PLC ± .01 [0.25]  
 3 PLC ± .005 [0.13]  
 4 PLC ± -  
 ANGLES ± 1°

MATERIAL

FINISH

TE PART NUMBER 7-1393211-0



NAME RELAY ASSEMBLY  
 T92P  
 -

SIZE A3 CAGE CODE 00779 DRAWING NO. T92P7D22-22 RESTRICTED TO -

SCALE 1:1 SHEET 1 OF 1 REV B