



**Builder's Best, Inc.**  
 201 Broiles Drive  
 Jacksonville, TX 75766  
 903-586-8283  
 sales@venting.biz  
 BuildersBest.com

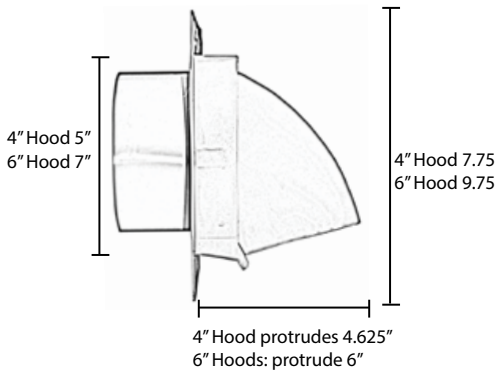
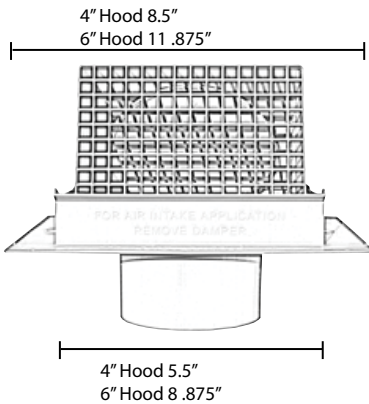
# PRIMEX WC WALL CAPS INTAKE/EXHAUST WALL CAP VENTS

PRODUCT SPECIFICATIONS  
 PLEASE SEE REVERSE  
 FOR CURRENT PRIMEX TECH SPECS

- UV stabilized polymer resin
- Drip edge to help drain away water
- Screen is not removable

## PART NUMBERS

Part numbers shown are stocked.  
 Other Primex items are special orders.



Dia.	Color	Damper	Screen	New case #	Old case #	Qty	Pkg
4"	white	removable spring	1/2" x 1/2"	WC401S	111775	25	Bulk
4"	white	removable spring	n/a	WC401SNS	111944	25	Bulk
4"	taupe	removable spring	1/2" x 1/2"	WC423S	111887	25	Bulk
4"	taupe	removable spring	n/a	WC423SNS	111913	25	Bulk
4"	black	removable spring	1/2" x 1/2"	WC425S	112098	25	Bulk
4"	black	removable spring	n/a	WC425SNS	112139	25	Bulk
4"	dark grey	removable spring	1/2" x 1/2"	WC428S	111853	25	Bulk
4"	dark grey	removable spring	n/a	WC428SNS	112104	25	Bulk
4"	light grey	removable spring	1/2" x 1/2"	WC431S	111781	25	Bulk
4"	light grey	removable spring	n/a	WC431SNS	111945	25	Bulk
4"	tan	removable spring	1/2" x 1/2"	WC445S	111875	25	Bulk
4"	tan	removable spring	n/a	WC445SNS	111880	25	Bulk
4"	drk brown	removable spring	1/2" x 1/2"	WC468S	111833	25	Bulk
4"	dark brown	removable spring	n/a	WC468SNS	111855	25	Bulk
6"	white	removable spring	1/2" x 1/2"	WC601S	111777	10	Bulk
6"	taupe	removable spring	1/2" x 1/2"	WC623SNS	111889	10	Bulk
6"	black	removable spring	1/2" x 1/2"	WC625S	112097	10	Bulk
6"	dark grey	removable spring	1/2" x 1/2"	WC628S	112099	10	Bulk
6"	light grey	removable spring	1/2" x 1/2"	WC631S	111783	10	Bulk
6"	tan	removable spring	1/2" x 1/2"	WC645S	111877	10	Bulk
6"	dark brown	removable spring	1/2" x 1/2"	WC668S	111835	10	Bulk
7"	taupe	removable	1/2" x 1/2"	WC723	111890	2	Bulk
7"	dark grey	removable	1/2" x 1/2"	WC728	112079	2	Bulk
7"	light grey	removable	1/2" x 1/2"	WC731	111784	2	Bulk
7"	drk brown	removable	1/2" x 1/2"	WC768	112080	2	Bulk
8"	white	removable	1/2" x 1/2"	WC801	111779	2	Bulk
8"	taupe	removable	1/2" x 1/2"	WC823	112366	2	Bulk
8"	dark grey	removable	1/2" x 1/2"	WC828	112407	2	Bulk

## LABELS

Builder's Best is an  
 Authorized Primex Distribution Partner  
 Primex is Made in Canada



## WARRANTY

Please contact Primex [info@primexvents.com](mailto:info@primexvents.com) for warranty information.

# WC Series Intake/Exhaust Wall Cap Vents

## Technical Data Sheet

### FEATURES & BENEFITS

- Compatible with rainscreen applications via extended base, compensating for cavity between sheathing and cladding.
  - Patented design eliminates leaky joints while maximizing water protection with one-piece molded base and built-in drip edge.
  - Integrity of the building envelope is maintained via a removable hood for simple duct cleaning.
  - Suitable for intake and exhaust applications.
  - Over-sized flange ensures watertight installation.
  - Made with UV-protected durable polymer resin.
  - Highly resistant to mechanical impact including a built-in bird screen.
  - Quick and easy installation.
- \* For dryer applications we recommend the no screen 'NS' model.

### COLOURS

- Black (25)
- Light Grey (31)
- Dark Grey (28)
- Taupe (23)
- Tan (45)
- Dark Brown (68)
- Snow White (01)

### APPLICATIONS

- Dryer Venting
- Bathroom Venting
- Range Venting
- Heat Recovery Venting (HRV)
- Intake

### PART NUMBER/SIZING

Part # Screen	Part # No Screen	Size	Free Area	Description	Pkg
WC3	WC3NS	3" Dia.	7.7 sq. in.	Use 3" dia. ducting	25/box
WC4	WC4NS	4" Dia.	9.5 sq. in.	Use 4" dia. ducting	25/box
WC5	WC5NS	5" Dia.	19.6 sq. in.	Use 5" dia. ducting	10/box
WC6	WC6NS	6" Dia.	28.3 sq. in.	Use 6" dia. ducting	10/box
WC7	WC7NS	7" Dia.	38.5 sq. in.	Use 7" dia. ducting	2/box
WC8	WC8NS	8" Dia.	46.8 sq. in.	Use 8" dia. ducting	2/box

### RANGE HOOD VENTS

Part #	Duct Boot	Free Area	Description	Pkg
WC310	3" x 10"	30.2 sq. in.	Wall Cap Vent: use with 3" x 10" register boot or slab duct	18/box
WC310K	3.25" x 10"	30.2 sq. in.	Range Hood Vent: use with 3.25" x 10" kitchen transition boot or slab duct	18/box

### TECHNICAL DRAWING

