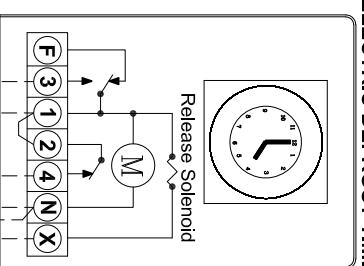
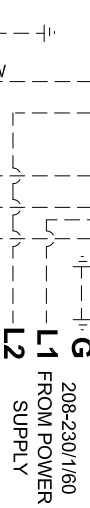


NOTE: PER MFG. INSTRUCTIONS, THE TIME SWITCH IS PROGRAMMED BY PUSHING THE CAPTIVE TRIPPERS TO THE INNER RING POSITION FOR THE ENTIRE PERIOD THAT THE LOAD IS IN THE NORMAL OPERATING CYCLE. WHEN A TRIPPER IS PUSHED TO THE OUTSIDE, THE SWITCH IS IN THE "DEFROST" POSITION. WHEN A TRIPPER EQUALS 15 MINUTES OF TIMED ELECTRIC DEFROST.

ELECTRIC DEFROST TIMER



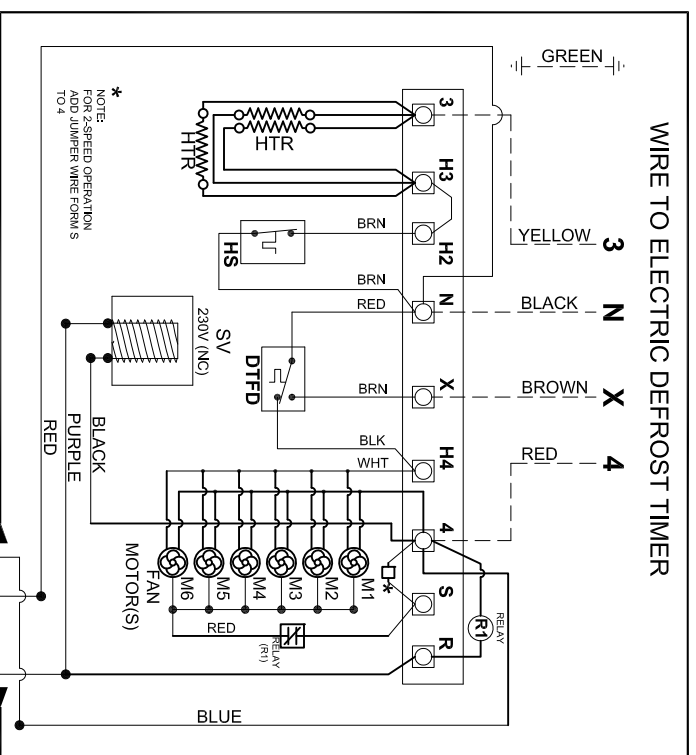
TIMER TO SHIP LOOSE FOR FIELD INSTALLATION.



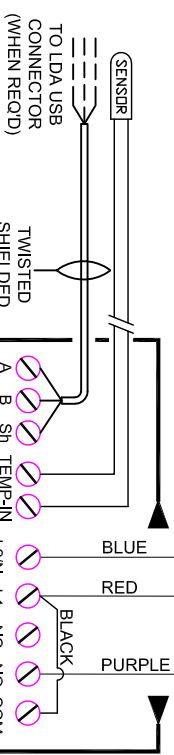
WIRE TO EVAPORATOR COIL

FIELD WIRING
FACTORY WIRING

WIRE TO ELECTRIC DEFROST TIMER



UNIT COOLER 208-230V/1/60



ELECTRONIC TEMPERATURE CONTROL

SYSTEM COMPONENTS ARE INSTALLED AND WIRED, WITH FINAL WIRING CONNECTIONS MADE IN THE EVAPORATOR WIRING COMPARTMENT.

WIRING DIAGRAM - ELECTRIC DEFROST EVAPORATOR w/ELECTRONIC TEMPERATURE CONTROL & ELECTRIC DEFROST TIMER 208-230V/1/60

EVAPORATOR MODEL:

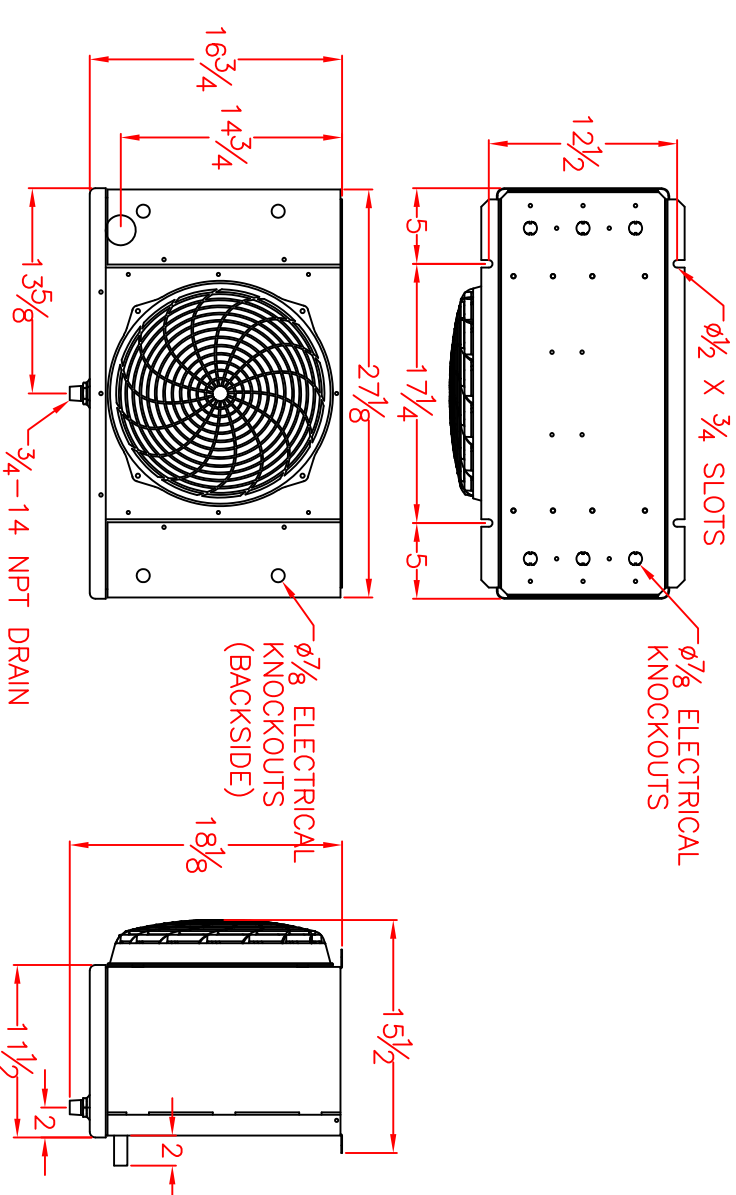
DEFROST	MODEL	MFG	REFRIG	BTUH	FAN		DEFROST HEATERS		SUCTION	LIQUID	WEIGHT (lbs.)	DRAIN LINE	DEFROST TIMER	CONTROLS		
					AMP	V	AMP	V						TSTAT	SDL VAL	EXP VAL
A	EL16-035-2P-PR-4	RDI	R404A	3,500	0.5	230	4.9	230	1	5/8" ODF	3/8" ODF	41	3/4" MPPT	X	X	X
B	EL16-042-2P-PR-4	RDI	R404A	4,200	0.5	230	4.9	230	1	5/8" ODF	3/8" ODF	44	3/4" MPPT	X	X	X
C	EL16-049-2P-PR-4	RDI	R404A	4,900	0.8	230	4.9	230	1	5/8" ODF	3/8" ODF	47	3/4" MPPT	X	X	X

LEGEND:
O=Off Cycle,
A=Air w/Timer
B=Electric Defrost

POWER SUPPLY: 208-230V/1/60
 TOTAL CONNECTED LOAD AMPS: 4.9A
 MINIMUM CIRCUIT AMPACITY: 15A
 MAXIMUM OVERCURRENT PROTECTION: 20A

CONNECTION SIZES

ACCESSORIES



EVAPORATOR DETAIL

ITEMS PROVIDED INCLUDE:

1. L.L. Solenoid Valve (Installed-Evap)
2. Expansion Valve (Installed-Evap)
3. Digital Temperature Control (Installed-Evap)

DATE	REVISION RECORD	AUTH	DR	CK

EL 1 Fan Unit Cooler Models
 208/230V, PSC Motors, R404A

SCALE: NONE
 DATE: 07.13.2018
 DRAWN BY: D3W

RDI Systems

DRAWING NUMBER: EL 1 Fan, 208/230, PSC Motors, R404A