

# ***RDI Systems***



## Scroll Series Refrigeration System

Air Cooled Indoor/Outdoor Scroll Condensing Units  
3/4 thru 6 Hp Models



# PC Refrigeration Systems

The RDI PC Refrigeration system includes an RDI condensing unit, an RDI evaporator assembly and is supplied charged with R448A refrigerant sufficient for a 50' line run. The condensing unit assembly is designed to be remotely located. Installation involves securing the evaporator assembly on the interior of the walk-in, locating the condensing unit in a suitable area near the walk-in, and installing refrigerant lines between the condensing unit assembly and the evaporator assembly, evacuating the evaporator assembly and refrigerant lines and opening the base valves provided on the condensing unit assembly. An electrician must bring power to both the condensing unit assembly and the evaporator assembly. On low temperature systems the time clock is shipped loose and is to be field installed in a convenient location outside of the walk-in.

## **PC System consists of:**

- Condensing Unit (high side assembly) ETL  
Listed to UL Standard 1995 (Priced Separately)
- Evaporators (low side assembly) See Unit Cooler  
page for details of evaporators (Priced Separately)
- All necessary controls for proper operation of  
condensing unit and evaporators
- Time Clocks (Low temp) shipped loose
- Refrigerant charge (high side assembly) suitable for  
up to 50 feet of line run

# PC Refrigeration Systems

## Standard Installed Components

### High Side Assembly

- Liquid Line Filter/Drier
- Sight glass/Moisture Indicator
- Pressure Controls
- Low Ambient Controls
- Crankcase Heater
- Oversized Receiver with Valve
- Refrigerant Charge for up to 50' of lines with R448A
- Insulated Suction Line
- PSC Condenser Fan Motors
- Base Valves
- Time Clocks (Low Temp) shipped loose
- Weatherproof Housing

### Low Side Assembly

- Thermostatic Expansion Valve for R448A
- Solenoid Valve
- Temperature Control
- EC Fan Motors
- (See Unit Cooler page for details)

NOTE: See Features and Options page for specific model offerings.

Condensing Unit assembly and Evaporator Assembly priced separately.

# PR Refrigeration Systems

The RDI PR Refrigeration system includes an RDI condensing unit, an RDI evaporator assembly and is supplied with a dry nitrogen holding charge. The condensing unit assembly is designed to be remotely located. Installation involves securing the evaporator assembly on the interior of the walk-in, locating the condensing unit in a suitable area near the walk-in, and installing refrigerant lines between the condensing unit assembly and the evaporator assembly, evacuating the condensing unit, evaporator assembly and refrigerant lines and providing a suitable refrigerant charge for the system. Unit suitable for use with R448A, R448A, R449A, R407C. Once the system reaches the correct temperature and has stabilized the refrigeration installer should set the evaporator superheat for maximum efficiency. An electrician must bring power to both the condensing unit assembly and the evaporator assembly. On low temperature systems the time clock is shipped loose and is to be field installed in a convenient location outside of the walk-in.

## **PR System consists of:**

- Condensing Unit (high side assembly) ETL Listed to UL Standard 1995 (Price Separately)
- Evaporators (low side assembly) See RDI Unit Cooler page for details of evaporators assemblies (Price Separately)
- All necessary controls for proper operation of condensing unit and evaporators
- Time Clock (low temp) shipped loose

# PR Refrigeration Systems

## Standard Installed Components

### High Side Assembly

- Liquid Line Filter/Drier
- Sight glass/Moisture Indicator
- Pressure Controls
- Low Ambient Controls
- Crankcase Heater
- Oversized Receiver with Valve
- Dry Nitrogen holding charge
- Insulated Suction Line
- PSC Condenser Fan Motors
- Base Valves
- Time Clock (low temp) shipped loose
- Weatherproof Housing

### Low Side Assembly

- Thermostatic Expansion Valve  
(by others)
- Solenoid Valve (shipped loose)
- Temperature Control (shipped loose)
- EC Fan Motors
- Nozzle for R404A when requested

NOTE: See Features and Options page for specific model offerings.

Condensing Unit assembly and Evaporator Assembly priced separately.

# Features and Options

	Description	STANDARD	STANDARD PLUS	PREMIUM	CANADIAN
		PC	PC	PC	PC
		Scroll	Scroll	Scroll	Scroll
Controls	Encapsulated High Pressure Control	Std	Std	Std	Std
	Encapsulated Low Pressure Control (Med Temp)	Std	Std	Std	ADJ
	Encapsulated Fan Cycle Control *	Std	NA	NA	NA
	Adjustable Low Pressure Control (Low temp)	Std	Std	Std	Std
	Adjustable Fan Cycle Control	NA	NA	NA	NA
	Crank Case Heater (low ambient)	Std	Std	Std	Std
	Flooded Head Pressure Control Valve	NA	Std	Std	Std
Condenser	Condenser (copper tube aluminum fins)	Std	Std	Std	Std
	Oversized Condenser for 120° Ambient operation	Std	Std	Std	Std
	Condenser fan motor(s) PSC	Std	Std	Std	Std
	Condenser fan blade(s) individually balanced	Std	Std	Std	Std
Receiver & Piping Components	Oversized Receiver	Std	Std	Std	Std
	Receiver shut off valve	Std	Std	Std	Std
	Base valves liquid & suction	Std	Std	Std	Std
	Suction line vibrasorber	NA	NA	NA	NA
	Discharge line vibrasorber	NA	NA	NA	NA
	Liquid and Suction line piping stub outs	Std	Std	Std	Std
	Suction accumulator (Low Temp)	NA	NA	Std	Std
	Suction accumulator (Med Temp)	NA	NA	NA	Std
	Suction filter	NA	NA	Std	Std
	Oil Separator (long line runs)	NA	NA	Opt	Opt
	Fused Disconnect Switch (line item shipped loose)	Opt	Opt	Opt	Opt
	Fused Disconnect Switch (mounted & wired)	NA	NA	Opt	Opt
	PRV -(Chicago Valve)	Opt	Opt	Opt	Opt
	Heated Insulated Receiver	NA	NA	NA	Std
	Liquid Line Drier	Std	Std	Std	Std
Liquid Line Moisture indicator sight glass	Std	Std	Std	Std	
Defrost	Defrost Lock Out (Low Temp)	NA	NA	Std	Std
	Time Clock shipped loose (Low Temp)	Std	Std	NA	NA
	Time Clock shipped loose (Med Temp)	NA	NA	NA	NA
	Time Clock Mtd & Wired in elec box (Low Temp)	NA	NA	Std	Std
	Time Clock Mtd & Wired in elec box (Med Temp)	NA	NA	NA	NA
Refrigerant	Refrigerant Charge (PC - 50')	Std	Std	Std	Std
	Dry Nitrogen Holding Charge	NA	NA	NA	NA
Housing	Galvanized Steel Weather Proof Housing	Std	Std	Std	Std
	Electrical Control Panel with cover	Std	Std	Std	Std
Testing	Leak Testing prior to shipment	Std	Std	Std	Std
	Dielectric Testing	Std	Std	Std	Std
	Agency Listing to UL Std 1995 & comparable CSA Std	Std	Std	Std	Std

# Features and Options

	Description	STANDARD	STANDARD PLUS	PREMIUM	CANADIAN
		PR	PR	PR	PR
		Scroll	Scroll	Scroll	Scroll
Controls	Encapsulated High Pressure Control	Std	Std	Std	Std
	Encapsulated Low Pressure Control Med Temp	Std	NA	NA	NA
	Encapsulated Fan Cycle Control *	Std	NA	NA	NA
	Adjustable Low Pressure Control Low Temp	Std	Std	Std	Std
	Adjustable Fan Cycle Control	NA	NA	NA	NA
	Crank Case Heater (low ambient)	Std	Std	Std	Std
	Flooded Head Pressure Control Valve	NA	Std	Std	Std
Condenser	Condenser (copper tube aluminum fins)	Std	Std	Std	Std
	Oversized Condenser for 120° Ambient operation	Std	Std	Std	Std
	Condenser fan motor(s) PSC	Std	Std	Std	Std
	Condenser fan blade(s) individually balanced	Std	Std	Std	Std
Receiver & Piping Components	Oversized Receiver	Std	Std	Std	Std
	Receiver shut off valve	Std	Std	Std	Std
	Base valves liquid & suction	Std	Std	Std	Std
	Suction line vibrasorber	NA	NA	NA	NA
	Discharge line vibrasorber	NA	NA	NA	NA
	Liquid and Suction line piping stub outs	Std	Std	Std	Std
	Suction accumulator (Low Temp)	NA	NA	Std	Std
	Suction accumulator (Med Temp)	NA	NA	NA	Std
	Suction filter	NA	NA	Std	Std
	Oil Separator (long line runs)	NA	NA	Opt	Opt
	Fused Disconnect Switch (line item shipped loose)	Opt	Opt	Opt	Opt
	Fused Disconnect Switch (mounted & wired)	NA	NA	Opt	Opt
	PRV -(Chicago Valve)	Opt	Opt	Opt	Opt
	Heated Insulated Receiver	NA	NA	NA	Std
	Liquid Line Drier	Std	Std	Std	Std
Liquid Line Moisture indicator sight glass	Std	Std	Std	Std	
Defrost	Defrost Lock Out (Low Temp)	NA	NA	Std	Std
	Time Clock shipped loose (Low Temp)	Std	Std	NA	NA
	Time Clock shipped loose (Med Temp)	NA	NA	NA	NA
	Time Clock Mtd & Wired in elec box (Low Temp)	NA	NA	Std	Std
	Time Clock Mtd & Wired in elec box (Med Temp)	NA	NA	NA	NA
Refrigerant	Dry Nitrogen Charge	Std	Std	Std	Std
	PCL line Set 10' Length	NA	NA	NA	NA
	PCL line Set 20' Length	NA	NA	NA	NA
	PCL line Set 30' Length	NA	NA	NA	NA
	PCL line Set 40' Length	NA	NA	NA	NA
Housing	Galvanized Steel Weather Proof Housing	Std	Std	Std	Std
	Electrical Control Panel with cover	Std	Std	Std	Std
Testing	Leak Testing prior to shipment	Std	Std	Std	Std
	Dielectric Testing	Std	Std	Std	Std
	Agency Listing to UL Std 1995 & comparable CSA Std	Std	Std	Std	Std

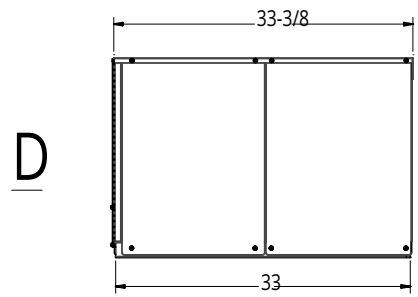
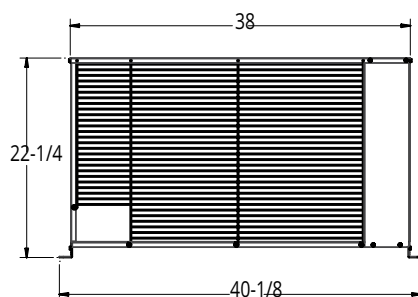
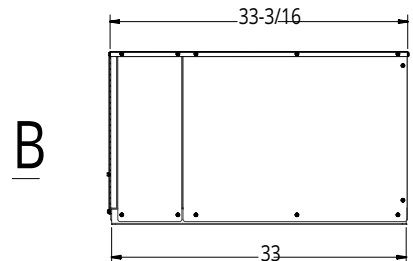
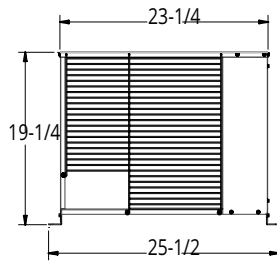
## Scroll Medium Temp (Air Cooled) Condensing Units

		Electrical Data						Physical Dimensions w/ Housing			
Model	Comp Model	Amps @115/60/1						Length	Width	Height	Ship Wt. LBS
		Compressor		Cond FLA	Total CU	MCA	MOPD				
		RLA	LRA								
48M	RST45C1E	5.1	26.5	0.5	5.7	7	15	33	25.5	19.25	146
68MZ	ZB07KAE	15.6	75	0.5	17.56	21.46	35	33	25.5	19.25	169
98MZ	ZS09KAE	10	40.3	1.2	11.36	13.9	20	33	25.5	19.25	169
148MZ	ZS13KAE	12	56	1.2	13.4	16.4	25	33	25.5	19.25	173
198MZ	ZS15KAE	15.7	68	2.4	18.3	22.2	35	33	40.125	22.25	211
248MZ	ZS19KAE	18	75	2.4	20.6	24.1	40	33	40.125	22.25	214
298MZ	ZS21KAE	23.2	112	2.4	25.8	31.6	50	33	40.125	22.25	216
348MZ	ZS26KAE	23.6	104	2.4	26.3	32.2	55	33	40.125	22.25	260
448MZ	ZS33KAE	25.6	146	3.6	29.5	35.9	60	37	50.125	29.25	400
548MZ	ZS38KAE	31.8	164	3.6	35.7	43.6	75	33	40.125	33.125	425
598MZ	N/A	N/A	N/A	N/A	N/A	N/A	N/A	N/A	N/A	N/A	N/A

		Electrical Data						Physical Dimensions w/ Housing			
Model	Comp Model	Amps @ 208/230/60/3						Length	Width	Height	Ship Wt. LBS
		Compressor		Cond FLA	Total CU	MCA	MOPD				
		RLA	LRA								
68MZ	ZB07KAE	10.8	73	0.5	12.76	15.46	25	33	25.5	19.25	169
98MZ	ZS09KAE	8	55.4	1.2	9.53	11.57	15	33	25.5	19.25	169
148MZ	ZS13KAE	9.7	56	1.2	11.27	14.09	20	33	25.5	19.25	173
198MZ	ZS15KAE	10.6	58	2.4	13.37	16.71	25	33	40.125	22.25	211
248MZ	ZS19KAE	13.7	73	2.4	16.47	19.87	30	33	40.125	22.25	214
298MZ	ZS21KAE	15.2	93	2.4	17.97	21.77	35	33	40.125	22.25	216
348MZ	ZS26KAE	15.2	93	2.4	18.07	21.87	35	33	40.125	22.25	260
448MZ	ZS33KAE	22.3	114	3.6	26.2	31.8	50	37	50.125	29.25	400
548MZ	ZS38KAE	21.4	123	3.6	25.3	30.6	50	33	40.125	33.125	425
598MZ	ZS45K4E	23.9	156	3.6	25.3	27.8	55	37	50.125	33.25	430

Models larger than 6Hp only available in PR Format

## Air Cooled Scroll



Models larger than 6Hp only available in PR Format



**Scroll Medium Temp (Air Cooled) Condensing Unit Performance Data**

Capacity (BTUH) @90°F AMBIENT													
Model	Nom HP	-30°F	-20°F	-15°F	-10°F	-5°F	0°F	10°F	15°F	20°F	25°F	30°F	
		48M	0.50	--	--	--	--	--	--	4030	4640	5310	6060
68MZ	0.75	--	--	--	--	--	--	5891	6657	7467	8323	9223	
98MZ	1.00	--	--	--	--	--	--	7060	8020	9120	10400	11800	
148MZ	1.50	--	--	--	--	--	--	9740	11000	12400	14100	16000	
198MZ	2.00	--	--	--	--	--	--	11700	13300	15100	17200	19500	
248MZ	2.50	--	--	--	--	--	--	13200	14900	16800	19000	21700	
298MZ	3.00	--	--	--	--	--	--	19100	21700	24700	27900	31500	
348MZ	3.50	--	--	--	--	--	--	20200	23100	26400	30100	34200	
448MZ	4.50	--	--	--	--	--	--	26700	30400	34500	39100	44100	
548MZ	5.50	--	--	--	--	--	--	31200	35800	40800	46300	52100	
598MZ	6.00	--	--	--	--	--	--	37400	42900	48900	55400	62400	

Capacity (BTUH) @95°F AMBIENT													
Model	Nom HP	-30°F	-20°F	-15°F	-10°F	-5°F	0°F	10°F	15°F	20°F	25°F	30°F	
		48M	0.50	--	--	--	--	--	--	3840	4420	5080	5800
68MZ	0.75	--	--	--	--	--	--	5662	6417	7210	8043	8915	
98MZ	1.00	--	--	--	--	--	--	6820	7750	8820	10000	11400	
148MZ	1.50	--	--	--	--	--	--	9340	10500	11900	13500	15400	
198MZ	2.00	--	--	--	--	--	--	11300	12800	14600	16600	18900	
248MZ	2.50	--	--	--	--	--	--	12700	14300	16200	18400	20900	
298MZ	3.00	--	--	--	--	--	--	18200	20800	23700	26900	30400	
348MZ	3.50	--	--	--	--	--	--	19100	22000	25200	28800	32900	
448MZ	4.50	--	--	--	--	--	--	25500	29200	33200	37600	42500	
548MZ	5.50	--	--	--	--	--	--	29700	34200	39000	44300	50100	
598MZ	6.00	--	--	--	--	--	--	35600	40900	46700	53100	60000	

Capacity (BTUH) @100°F AMBIENT													
Model	Nom HP	-30°F	-20°F	-15°F	-10°F	-5°F	0°F	10°F	15°F	20°F	25°F	30°F	
		48M	0.50	--	--	--	--	--	--	3650	4220	4840	5540
68MZ	0.75	--	--	--	--	--	--	5426	6172	6951	7763	8609	
98MZ	1.00	--	--	--	--	--	--	6550	7440	8460	9650	11000	
148MZ	1.50	--	--	--	--	--	--	8900	10000	11300	12900	14700	
198MZ	2.00	--	--	--	--	--	--	10800	12300	14000	16000	18200	
248MZ	2.50	--	--	--	--	--	--	12200	13700	15500	17600	20100	
298MZ	3.00	--	--	--	--	--	--	17300	19900	22700	25800	29200	
348MZ	3.50	--	--	--	--	--	--	18000	20700	23900	27400	31400	
448MZ	4.50	--	--	--	--	--	--	24300	27900	31800	36100	40900	
548MZ	5.50	--	--	--	--	--	--	28200	32500	37200	42300	47900	
598MZ	6.00	--	--	--	--	--	--	33900	39000	44600	50800	57500	

Capacity (BTUH) @105°F AMBIENT													
Model	Nom HP	-30°F	-20°F	-15°F	-10°F	-5°F	0°F	10°F	15°F	20°F	25°F	30°F	
		48M	0.50	--	--	--	--	--	--	3470	4015	4615	5290
68MZ	0.75	--	--	--	--	--	--	5181	5921	6689	7483	8306	
98MZ	1.00	--	--	--	--	--	--	6210	7060	8040	9180	10500	
148MZ	1.50	--	--	--	--	--	--	8410	9480	10700	12200	14000	
198MZ	2.00	--	--	--	--	--	--	10300	11700	13300	15200	17400	
248MZ	2.50	--	--	--	--	--	--	11500	13000	14700	16700	19100	
298MZ	3.00	--	--	--	--	--	--	16400	18900	21600	24700	28000	
348MZ	3.50	--	--	--	--	--	--	16600	19300	22300	25800	29700	
448MZ	4.50	--	--	--	--	--	--	23000	26500	30300	34500	39100	
548MZ	5.50	--	--	--	--	--	--	26800	30800	35400	40300	45800	
598MZ	6.00	--	--	--	--	--	--	32200	37100	42400	48400	54900	

Capacity (BTUH) @110°F AMBIENT													
Model	Nom HP	-30°F	-20°F	-15°F	-10°F	-5°F	0°F	10°F	15°F	20°F	25°F	30°F	
		48M	0.50	--	--	--	--	--	--	3290	3810	4390	5040
68MZ	0.75	--	--	--	--	--	--	4928	5665	6423	7202	8004	
98MZ	1.00	--	--	--	--	--	--	5800	6600	7540	8630	9900	
148MZ	1.50	--	--	--	--	--	--	7860	8860	10000	11500	13200	
198MZ	2.00	--	--	--	--	--	--	9600	10900	12500	14300	16400	
248MZ	2.50	--	--	--	--	--	--	10800	12200	13800	15800	18100	
298MZ	3.00	--	--	--	--	--	--	15400	17900	20500	23500	26700	
348MZ	3.50	--	--	--	--	--	--	15000	17600	20500	23900	27800	
448MZ	4.50	--	--	--	--	--	--	21600	25000	28700	32800	37400	
548MZ	5.50	--	--	--	--	--	--	25500	29300	33600	38300	43600	
598MZ	6.00	--	--	--	--	--	--	30700	35300	40400	46100	52400	

Sweat Connection		RECR @90% LBS	Ship Wt. LBS
ODS, IN.			
SUC	LIQ		
5/8	3/8	5.8	146
5/8	3/8	5.8	169
5/8	3/8	10.4	169
7/8	3/8	10.4	173
7/8	3/8	10.4	211
7/8	3/8	13.7	214
7/8	3/8	13.7	216
7/8	3/8	19.7	260
1 1/8	1/2	23	400
1 1/8	1/2	23	425
1 1/8	1/2	24.3	430
5/8	3/8	5.8	146
5/8	3/8	5.8	169
5/8	3/8	10.4	169
7/8	3/8	10.4	173
7/8	3/8	10.4	211
7/8	3/8	13.7	214
7/8	3/8	13.7	216
7/8	3/8	19.7	260
1 1/8	1/2	23	400
1 1/8	1/2	23	425
1 1/8	1/2	24.3	430
5/8	3/8	5.8	146
5/8	3/8	5.8	169
5/8	3/8	10.4	169
7/8	3/8	10.4	173
7/8	3/8	10.4	211
7/8	3/8	13.7	214
7/8	3/8	13.7	216
7/8	3/8	19.7	260
1 1/8	1/2	23	400
1 1/8	1/2	23	425
1 1/8	1/2	24.3	430
5/8	3/8	5.8	146
5/8	3/8	5.8	169
5/8	3/8	10.4	169
7/8	3/8	10.4	173
7/8	3/8	10.4	211
7/8	3/8	13.7	214
7/8	3/8	13.7	216
7/8	3/8	19.7	260
1 1/8	1/2	23	400
1 1/8	1/2	23	425
1 1/8	1/2	24.3	430
5/8	3/8	5.8	146
5/8	3/8	5.8	169
5/8	3/8	10.4	169
7/8	3/8	10.4	173
7/8	3/8	10.4	211
7/8	3/8	13.7	214
7/8	3/8	13.7	216
7/8	3/8	19.7	260
1 1/8	1/2	23	400
1 1/8	1/2	23	425
1 1/8	1/2	24.3	430

Capacities are based off of the following conditions: 20 Degree Cond. TD, 41 Degree return gas temp., 10 degree evap. SH, 6 degree of SC

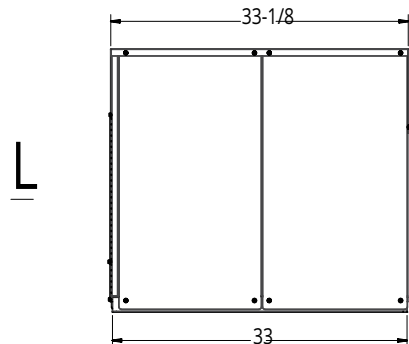
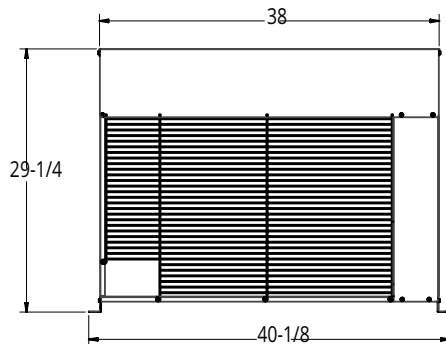
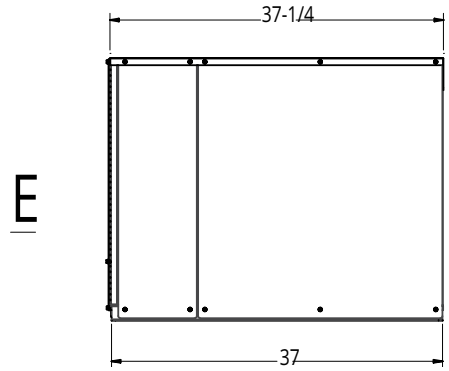
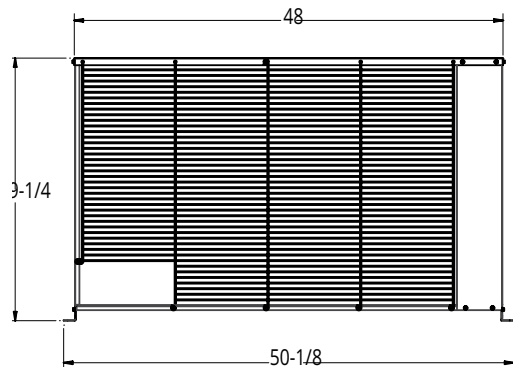
## Scroll Low Temp (Air Cooled) Condensing Units

		Electrical Data						Physical Dimensions w/ Housing			
Model	Comp Model	Amps @ 208-230/60/1						Length	Width	Height	Ship Wt. LBS
		Compressor		Cond FLA	Total CU	MCA	MOPD				
		RLA	LRA								
148LZ	ZF05KAE	8.7	55	1.2	10.2	MCA	20	33	25.5	19.25	177
198LZ	ZF06K4E	13.6	61	1.2	15.27			30	33	25.5	19.25
248LZ	ZF08K4E	16.4	73	2.4	19.1	MCA	35	33	40.125	22.25	213
298LZ	ZF09K4E	14.3	88	2.4	17			30	33	40.125	22.25
348LZ	N/A	N/A	N/A	N/A	N/A	MCA	N/A	N/A	N/A	N/A	N/A
448LZ	ZF13K4E	25	129	3.6	28.9			60	33	40.125	29.25
548LZ	ZF15K4E	27.5	169	3.6	31.4	MCA	65	33	50.125	29.25	420
598LZ	N/A	N/A	N/A	N/A	N/A			N/A	N/A	N/A	N/A

		Electrical Data						Physical Dimensions w/ Housing			
Model	Comp Model	Amps @ 208-230/60/3						Length	Width	Height	Ship Wt. LBS
		Compressor		Cond FLA	Total CU	MCA	MOPD				
		RLA	LRA								
148LZ	ZF05KAE	7.5	59	1.2	9.17	11.07	15	33	25.5	19.25	177
198LZ	ZF06K4E	9.3	55	1.2	10.97	13.27	20	33	25.5	19.25	186
248LZ	ZF08K4E	9.6	63	2.4	12.3	14.7	20	33	40.125	22.25	213
298LZ	ZF09K4E	9.6	77	2.4	12.47	14.87	20	33	40.125	22.25	230
348LZ	N/A	N/A	N/A	N/A	N/A	N/A	N/A	N/A	N/A	N/A	N/A
448LZ	ZF13K4E	13.2	99	3.6	17.27	20.57	30	33	40.125	29.25	405
548LZ	ZF15K4E	18.9	123	3.6	22.97	27.67	45	33	50.125	29.25	420
598LZ	N/A	N/A	N/A	N/A	N/A	N/A	N/A	N/A	N/A	N/A	N/A

### Air Cooled Scroll



**Scroll Low Temp (Air Cooled) Condensing Unit Performance Data**

Capacity (BTUH) @90°F AMBIENT														Sweat Connection		RECR @90% LBS	Ship Wt. LBS
Model	Nom HP	-30	-25	-20	-15	-10	-5	0°F	10°F	15°F	20°F	25°F	30°F	ODS, IN.			
														SUC	LIQ		
148LZ	1.50	3,130	3,640	4,186	4,777	5,426	6,142	--	--	--	--	--	--	7/8	3/8	10.4	177
198LZ	2.00	4,480	5,220	6,050	6,960	7,990	9,130	--	--	--	--	--	--	7/8	3/8	10.4	186
248LZ	2.50	5,690	6,620	7,660	8,830	10,150	11,650	--	--	--	--	--	--	7/8	3/8	13.6	213
298LZ	3.00	6,390	7,410	8,540	9,820	11,250	12,850	--	--	--	--	--	--	7/8	3/8	13.6	230
348LZ	3.50	N/A	N/A	N/A	N/A	N/A	N/A	--	--	--	--	--	--	--	--	--	--
448LZ	4.50	9,060	10,500	12,200	14,200	16,400	18,900	--	--	--	--	--	--	1 1/8	1/2	19.7	405
548LZ	5.50	11,400	13,200	15,200	17,600	20,200	23,200	--	--	--	--	--	--	1.125	0.5	19.7	420
598LZ	6.00	N/A	N/A	N/A	N/A	N/A	N/A	--	--	--	--	--	--	1 1/8	1/2	24.3	430

Capacity (BTUH) @95°F AMBIENT														Sweat Connection		RECR @90% LBS	Ship Wt. LBS
Model	Nom HP	-30	-25	-20	-15	-10	-5	0°F	10°F	15°F	20°F	25°F	30°F	ODS, IN.			
														SUC	LIQ		
148LZ	1.50	3,035	3,529	4,053	4,620	5,240	5,925	--	--	--	--	--	--	7/8	3/8	10.4	177
198LZ	2.00	4,330	5,060	5,850	6,740	7,720	8,820	--	--	--	--	--	--	7/8	3/8	10.4	186
248LZ	2.50	5,480	6,380	7,380	8,520	9,790	11,200	--	--	--	--	--	--	7/8	3/8	13.6	213
298LZ	3.00	6,170	7,150	8,250	9,480	10,850	12,400	--	--	--	--	--	--	7/8	3/8	13.6	230
348LZ	3.50	N/A	N/A	N/A	N/A	N/A	N/A	--	--	--	--	--	--	--	--	--	--
448LZ	4.50	8,700	10,100	11,700	13,500	15,600	18,000	--	--	--	--	--	--	1 1/8	1/2	19.7	405
548LZ	5.50	11,000	12,700	14,600	16,800	19,300	22,200	--	--	--	--	--	--	1 1/8	1/2	19.7	420
598LZ	6.00	N/A	N/A	N/A	N/A	N/A	N/A	--	--	--	--	--	--	--	--	--	--

Capacity (BTUH) @100°F AMBIENT														Sweat Connection		RECR @90% LBS	Ship Wt. LBS
Model	Nom HP	-30	-25	-20	-15	-10	-5	0°F	10°F	15°F	20°F	25°F	30°F	ODS, IN.			
														SUC	LIQ		
148LZ	1.50	2,945	3,421	3,924	4,466	5,057	5,708	--	--	--	--	--	--	7/8	3/8	10.4	177
198LZ	2.00	4,200	4,900	5,670	6,530	7,470	8,530	--	--	--	--	--	--	7/8	3/8	10.4	186
248LZ	2.50	5,270	6,130	7,100	8,200	9,420	10,800	--	--	--	--	--	--	7/8	3/8	13.6	213
298LZ	3.00	5,950	6,890	7,950	9,130	10,450	11,950	--	--	--	--	--	--	7/8	3/8	13.6	230
348LZ	3.50	8320	9500	10790	12200	13800	15400	--	--	--	--	--	--	--	--	--	--
448LZ	4.50	8,380	9,640	11,100	12,900	14,800	17,100	--	--	--	--	--	--	1 1/8	1/2	19.7	405
548LZ	5.50	10,500	12,100	13,900	16,000	18,400	21,100	--	--	--	--	--	--	1 1/8	1/2	19.7	420
598LZ	6.00	14560	16350	18750	21210	24050	26890	--	--	--	--	--	--	--	--	--	--

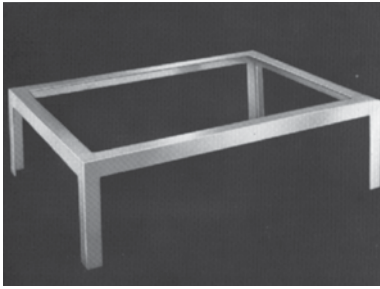
Capacity (BTUH) @105°F AMBIENT														Sweat Connection		RECR @90% LBS	Ship Wt. LBS
Model	Nom HP	-30	-25	-20	-15	-10	-5	0°F	10°F	15°F	20°F	25°F	30°F	ODS, IN.			
														SUC	LIQ		
148LZ	1.50	2,859	3,316	3,798	4,314	4,875	5,493	--	--	--	--	--	--	7/8	3/8	10.4	177
198LZ	2.00	4,090	4,770	5,510	6,330	7,230	8,240	--	--	--	--	--	--	7/8	3/8	10.4	186
248LZ	2.50	5,050	5,890	6,820	7,870	9,040	10,350	--	--	--	--	--	--	7/8	3/8	13.6	213
298LZ	3.00	5,720	6,630	7,640	8,780	10,050	11,500	--	--	--	--	--	--	7/8	3/8	13.6	230
348LZ	3.50	8050	9180	10430	11790	13335	14880	--	--	--	--	--	--	--	--	--	--
448LZ	4.50	8,070	9,210	10,600	12,200	14,100	16,200	--	--	--	--	--	--	1 1/8	1/2	19.7	405
548LZ	5.50	10,100	11,600	13,300	15,200	17,500	20,000	--	--	--	--	--	--	1 1/8	1/2	19.7	420
598LZ	6.00	14120	15970	18050	20380	23075	25770	--	--	--	--	--	--	--	--	--	--

Capacity (BTUH) @110°F AMBIENT														Sweat Connection		RECR @90% LBS	Ship Wt. LBS
Model	Nom HP	-30	-25	-20	-15	-10	-5	0°F	10°F	15°F	20°F	25°F	30°F	ODS, IN.			
														SUC	LIQ		
148LZ	1.50	2,777	3,216	3,675	4,164	4,695	5,279	--	--	--	--	--	--	7/8	3/8	10.4	177
198LZ	2.00	4,000	4,650	5,360	6,150	7,010	7,980	--	--	--	--	--	--	7/8	3/8	10.4	186
248LZ	2.50	4,830	5,630	6,530	7,530	8,660	9,920	--	--	--	--	--	--	7/8	3/8	13.6	213
298LZ	3.00	5,500	6,370	7,340	8,430	9,650	11,050	--	--	--	--	--	--	7/8	3/8	13.6	230
348LZ	3.50	7760	8860	10050	11360	12845	14330	--	--	--	--	--	--	--	--	--	--
448LZ	4.50	7,780	8,800	10,000	11,500	13,200	15,200	--	--	--	--	--	--	1 1/8	1/2	19.7	405
548LZ	5.50	9,700	11,000	12,600	14,400	16,500	18,900	--	--	--	--	--	--	1 1/8	1/2	19.7	420
598LZ	6.00	13700	15410	17370	19540	22080	24620	--	--	--	--	--	--	--	--	--	--

Capacities are based off of the following conditions: 20 Degree Cond. TD, 41 Degree return gas temp., 10 degree evap. SH, 6 degree of SC

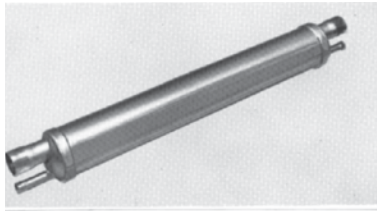


## Accessories and Options



### Condensing Unit Rack

This accessory is used to mount condensing unit assembly. Units can be installed separately, stacked or side-by-side. The racks are constructed of heavy-gauge angle iron, welded together and painted to resist rust.



### Heat Exchanger

A heat exchanger is a device to:

- Sub-cool the liquid refrigerant
- Reduce flash gas in the liquid line
- Reduce liquid refrigerant in the suction line

This accessory is factory installed on "PCL" systems. It is shipped loose for field installation of "PR" or "PC" systems.



### Disconnect Switch



### Accumulator



### Oil Separator

# Nomenclature

## PC-149MZOP-2P

RDI Models

PC (Pre-Charged no lines)

PCL (Pre-Charged with lines)

Scroll

069 - 3/4 Hp

098 - 1 Hp

148 - 1-1/2 Hp

198 - 2 Hp

248 - 2-1/2 Hp

298 - 3 Hp

348 - 3-1/2 Hp

448 - 4-1/2 Hp

548 - 5-1/2 Hp

598 - 6 Hp

P - Premium  
 E - Standard  
 EP - Standard Plus  
 C - Canadian

1 - 208/230-60-1  
 2 - 208/230-6-3

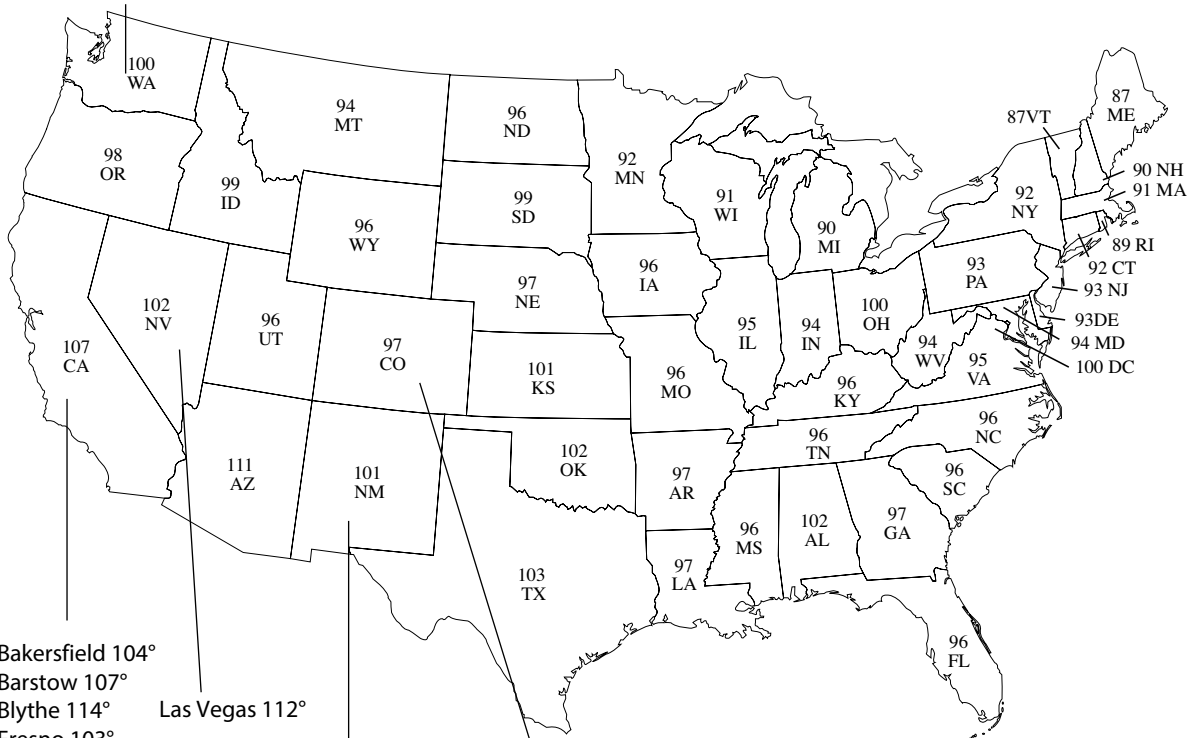
OP - Outdoor/Indoor

Z - Scroll

M - Medium Temperature  
 L - Low Temperature

## Temperature chart from ASHRAE Handbook

Kennewick 105°  
 Wenatchee 105°  
 Yakima 105°

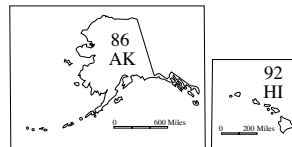


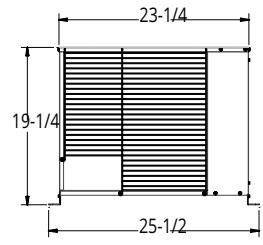
Bakersfield 104°  
 Barstow 107°  
 Blythe 114°  
 Fresno 103°  
 Merced 99°  
 Ontario 102°  
 Redding 106°  
 San Bernadino 103°  
 Visalia 100°

Las Vegas 112°

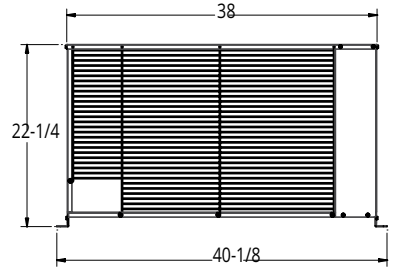
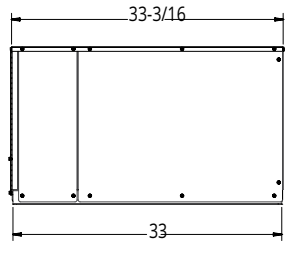
Hobbs 101°

La Junta 100°

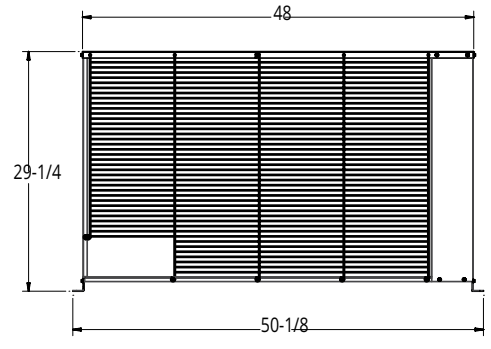
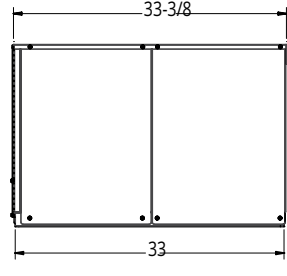




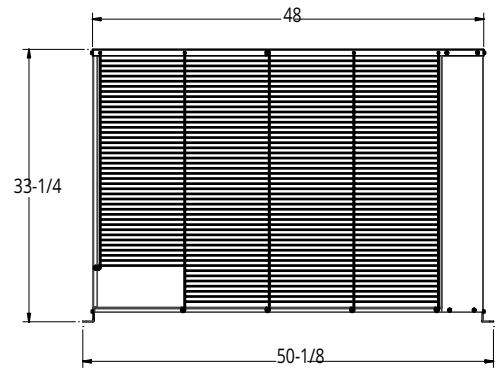
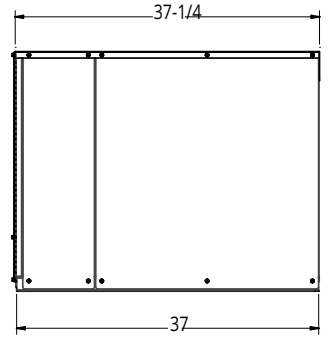
B



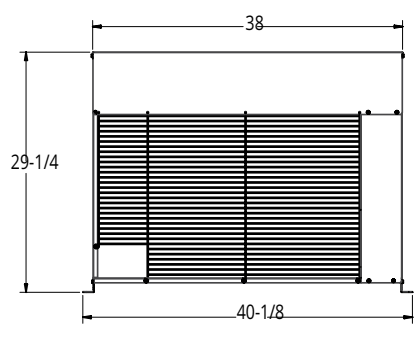
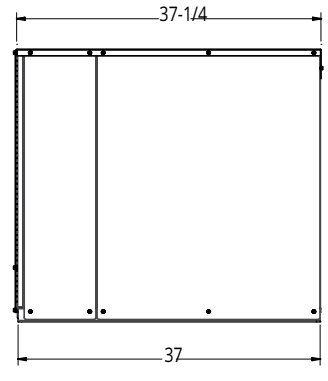
D



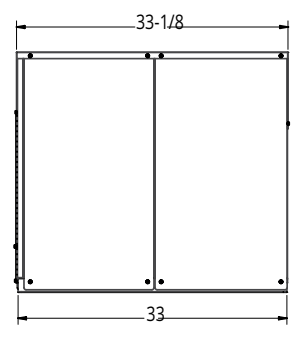
E



K



L



## About RDI Systems

RDI Systems offers a wide range of energy-saving and environmentally-friendly products and features. We've designed our units for maximum performance with minimum environmental impact, all while saving you money on energy costs, operating costs and overall cost of ownership.

**For more information, visit [www.rdisystems.com](http://www.rdisystems.com)**



Welbilt offers fully-integrated kitchen systems and our products are backed by KitchenCare® aftermarket parts and service. Welbilt's portfolio of award-winning brands includes **Cleveland**, **Convotherm®**, **Delfield®**, **fitkitchen<sup>SM</sup>**, **Frymaster®**, **Garland®**, **Kolpak®**, **Lincoln**, **Manitowoc®**, **Merco®**, **Merrychef®** and **Multiplex®**.

*Bringing innovation to the table* • **welbilt.com**