

go

PC キヤッチャー

(For WALL type)

PC-KG30
PC-KG60


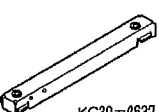
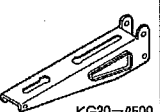
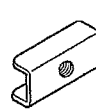

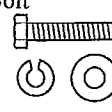
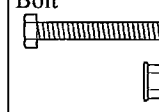
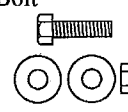
INSTRUCTION

- PC-KG30 & PC-KG60 are for A/C less than 150kg.
Check the applicable measurement before use.
- Pass this sheet to the owner after installation for ensuring CAUTION.
- Contact your purchasing shop or specialists in case of its decompose and dispose.



- Do NOT mount and dangle it. There is fear to break.
- Do NOT remodel it. It comes to the lack of strength and the short life.
- Surely tighten a screw. There is a fear to break apart.
- There is a fear to cut hands by its edge. Remind children.

Content List

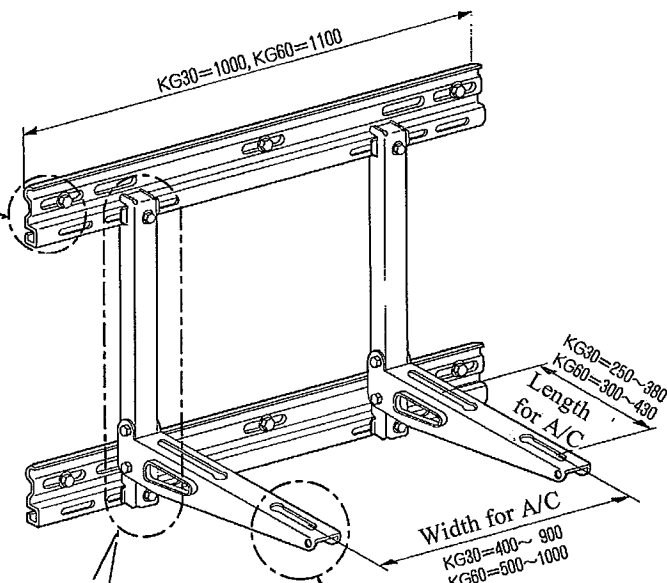
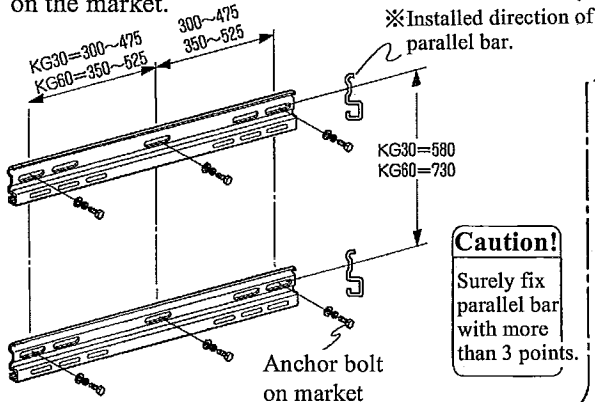
No.	①	②	③	④	⑤	⑥	⑦	⑧
Name & Shape	Parallel Bar  KG30=21000 KG60=21100	Vertical Bar  KG30=2637 KG60=2737	Arm  KG30=2500 KG60=2550	Sliding Metal 	Dielectric Rubber 	Hexagon (M10-50) Bolt 	Hexagon (M10-75) Bolt 	Hexagon (M8-40) Bolt 
Q'ty	2 pcs.	2 pcs.	2 pcs.	4 pcs.	4 pcs.	For Assembling Catcher 4 sets		For Fixing A/C 4 sets

★ This set is not included anchor bolts. Checking building structure, please use them on the market.

How to Assemble and Install

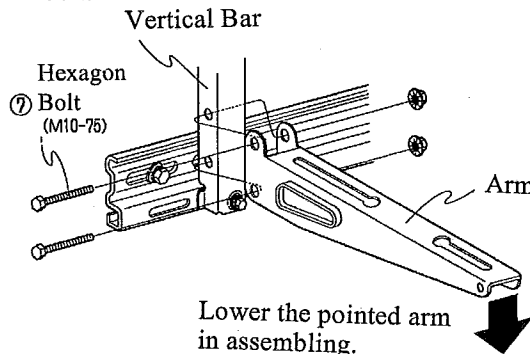
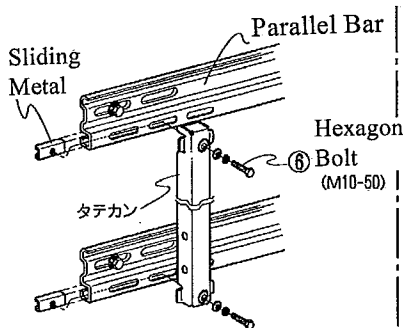
1. Install ①parallel bar on wall.

- Choose a wall with intensity at its installation.
- Install ①parallel bar with M10 or 3/8" anchor bolts on the market.



2. Install ②vertical bar and ③arm.

- 1) Put sliding metal through parallel bar and fit it with ⑥hexagon bolt.
- 2) Furnish arm to vertical bar with ⑦hexagon bolt.



3. Fix air conditioner

- 1) Retighten each bolt.
- 2) Put dielectric rubber on arm hole and secure A/C with ⑧hexagon bolt.

