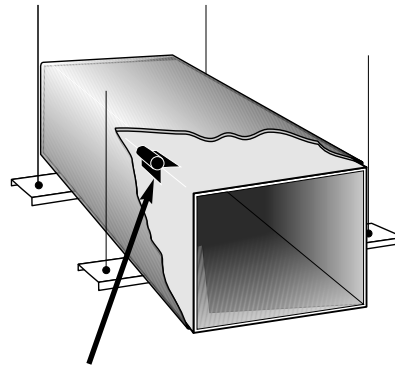


Reflectix® Installation Instructions for R-4.2, R-6 and R-8

Questions? Call or Click: 800.879.3645 | www.reflectixinc.com

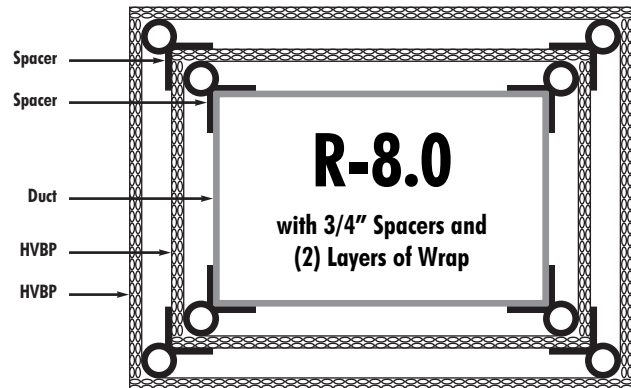
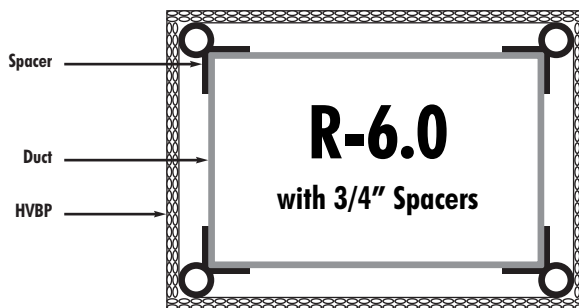
Installation Instructions with HV Spacer

1. Make sure the duct is free from dust and dirt by wiping it down with a shop rag.
2. Install the spacers to all four corners of the duct.
3. Place the spacers every 24" apart.
4. Wrap the Reflectix® over the spacers.
5. Fasten the Reflectix® by either tapping the seam or plier stapling the two edges together.
6. If the duct is supported with saddle clamps, make sure to install a spacer on the two bottom edges of the duct directly between the clamp and the duct.
7. If the clamps are installed around the duct (such as plumbers tape), make sure that the seam is taped to prevent air movement.



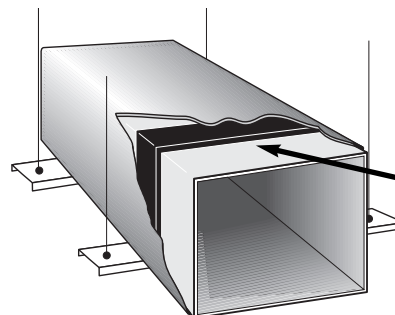
HV Spacer

Shown to the left:
Rectangular Duct
with HV Spacer
and Saddle Hanger



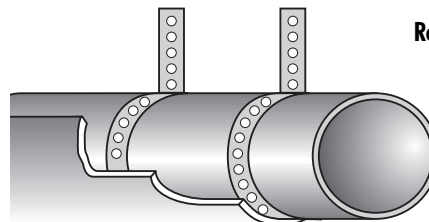
Installation Instructions with HVSP Bubble Wrap

- 1) Make sure all sheet metal joints, seams and penetrations are sealed.
- 2) Secure spacers every 24" to 36" around ducting, fastening the spacers with UL181 approved HVAC foil tape. This will provide the necessary air space for the most effective use of Reflectix®. Reflectix® spacer product is recommended.
- 3) Reflectix® Standard Edge material can then be cut to the proper size and wrapped around the duct.
- 4) **Strap Hanger:** Wrap Reflectix® with the seam at the hanger. Tape seam tightly around hanger.
Saddle Hanger: Make sure that there is a spacer below the hanger between the insulation and the duct to prevent the foil from touching the duct.
- 5) Tape all seams with UL181 approved HVAC foil tape.



Shown to the left:
Rectangular Duct with
a Saddle Hanger

HVSP0202506
Spacer



Shown to the left:
Round Duct with a Wire
or Strap Hanger

Note: Duct wrapped without any spacers direct to duct work is an R-4.2.