

## RETURN & EXHAUST GRILLE

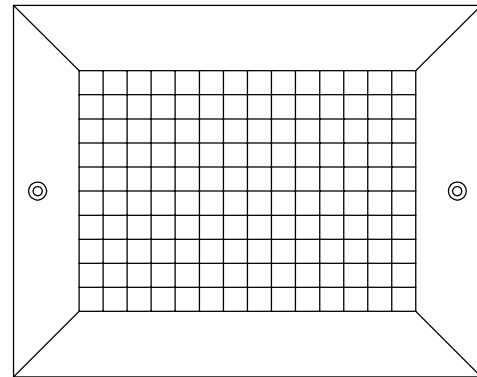
ALUMINUM GRID 1/2" x 1/2" x 1/2" FOR  
SIDEWALL APPLICATION

MINIMUM SIZE: 4" WIDTH x 4" HEIGHT

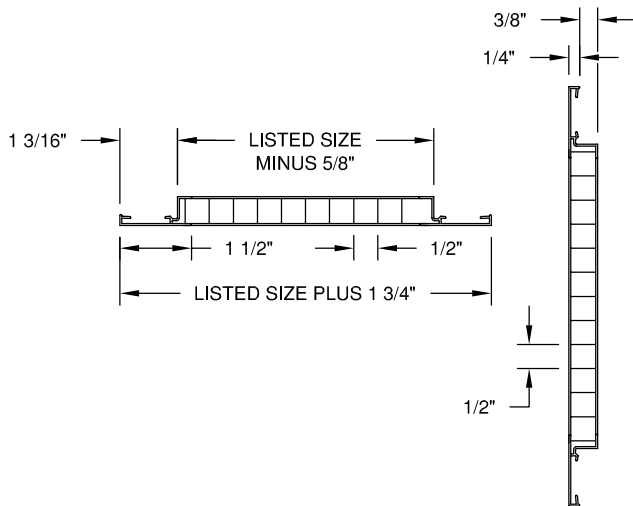
MAXIMUM SIZE: 48" WIDTH x 96" HEIGHT

EXTRUDED ALUMINUM; 6063-T5

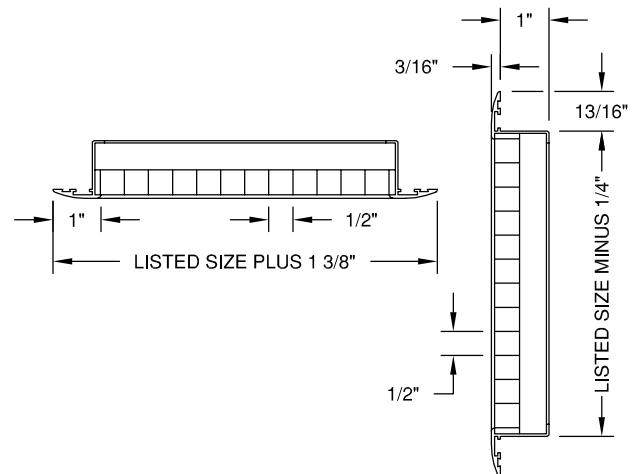
FINISH - SA (CLEAR ANODIZE) OR W (WHITE PAINTED)



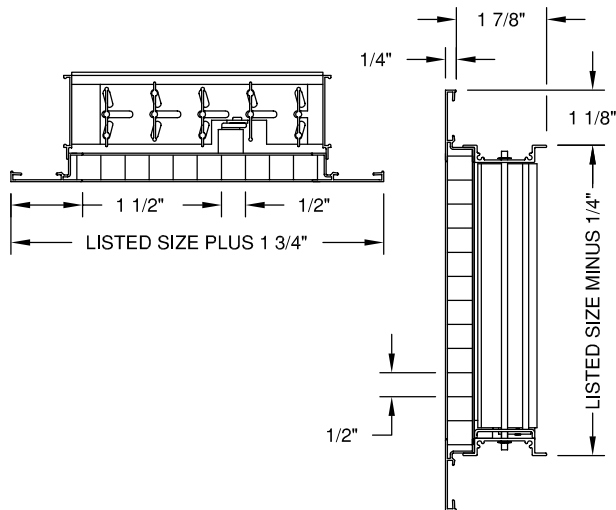
FACE VIEW



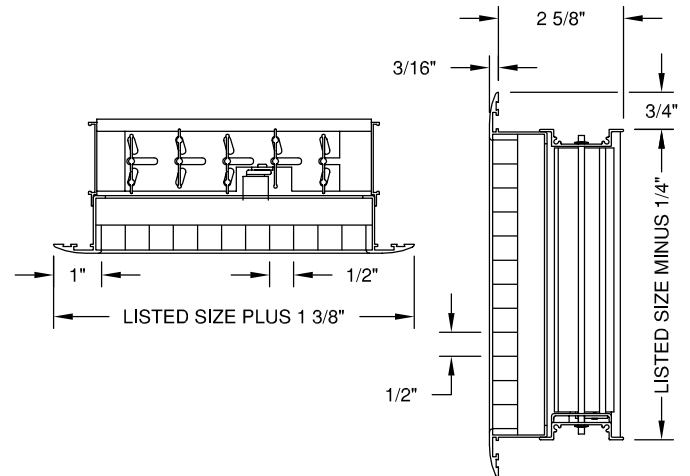
MODEL - GAG5



MODEL - GAG5Z



GAG5O - OPPOSED BLADE DAMPER



GAG5OZ - OPPOSED BLADE DAMPER

DWG NO.

02HV041A

JOB NAME: \_\_\_\_\_

ENGINEER: \_\_\_\_\_

DATE:

3/5/02

LOCATION: \_\_\_\_\_

CONTRACTOR: \_\_\_\_\_

ARCHITECT: \_\_\_\_\_

FINISH: \_\_\_\_\_