

Replacement Parts

Applies to:

Standard Power Vent Fan & Blower Type Unit Heaters

Separated Combustion Fan & Blower Type Unit Heater

IMPORTANT

1. Always include complete heater model and serial number so that any specification change can be considered for parts replacement. It can save time and expense.
2. Specifications are subject to change without notice.
3. We reserve the right to substitute functional replacements
4. Order by P/N; not Heater Option Designation.

INDEX

B

Bearings 15
 Belt 11, 12
 Belt Guard 23
 Blower 15
 Blower Inlet Guard 23
 Burner 18
 Burner Orifice 18

C

Cabinet Parts 13, 14
 Fan Motor Capacitor 6, 7
 Circuit Board 5, 7
 Circuit Board (DSI Ignition Cntrl) 5
 Collar 14
 Concentric Adapter Box 20
 Contactor 9
 Control Compartment 4
 DDC Controller 8
 Control of 2-6 Heaters 24
 Gas Conversion Kits 19

D

Date of Manufacture 3
 Disconnect Switch 6
 Door Handle 14
 Drives 11, 12

E

Electrical Components 4, 6
 Exhaust (Vent) Terminal 20
 Exhaust Grill 20

F

Fan Blade 14

Fan Guard 14
 Fan Motor 7
 Flame Sensor 5, 7
 Flue Wrapper 17
 Fuse 5

G

Guards 23

H

Hanger Bar 13
 Hanger Kits 23
 Heat Exchanger 19
 High Altitude Switch 21

I

Ignition Control 7
 Combustion Air Inlet 20
 Inlet Guard 20

L

Limit Control 5, 7
 Horizontal Louver 13
 Vertical Louvers 21

M

Belt Drive Motor 9
 Blower Motor 9
 Direct Drive Motor 9
 Fan Motor 6, 7
 Venter Motor 16
 Motor Adjustment Bracket 15
 Motor Mounting Components 15

N

Downturn Nozzles 22

O

Option CC1 21
 Option CC14 20
 Option CC2 20
 Option CC6 20
 Option CD1 21
 Option CD10 23
 Option CD11 23
 Option CD12 23
 Option CE1 24
 Option CG1 8
 Option CG2 8
 Option CG4 8
 Option CK10 23
 Option CK22 24
 Option CK8 23
 Option CL1 24
 Option CL22 24
 Option CL31 24
 Option CL32 24
 Option CM3 25
 Option D10 8
 Option D14 8
 Options CD2, CD3, CD4, CD5 22
 Orifice 18

P

Paint 14
 Polytube Adapter 23
 High Altitude Pressure Switch 21
 Pressure Switch 6, 7
 Pressure Tap 17
 Blower Pulley 11, 12
 Motor Pulley 11, 12

R

Rating Plate 2
 References 3
 Restrictor 15

S

Serial No. 2
 Shaft 15
 Silicone Sealant 20
 Motor Starter 9
 Starter Overload 9
 Ceiling Suspension Kit 24
 Disconnect Switch 6, 7
 Door Switch 6, 7
 Flame Rollout Switch 5, 7

T

Terminal Board 6, 7
 Thermostat 24
 Thermostat Bracket Kit 25
 Stepdown Transformer Kits 8
 Transformer 5, 7

V

Gas Valve 6, 7
 Manual Shutoff Valve 24
 Vent Cap 21
 Venter Housing 16
 Venter Motor 16
 Venter Wheel 16
 Venting and Combustion Air Kits 20

W

Wiring Harness 6

Warranty - All Models

One-year limited warranty on the heater.



Nine-year extended limited warranty on the heat exchanger, burner, and flue collection box assembly.

Four-year extended limited warranty on all electrical and mechanical operating components (with the exception of blower belts).



Contact your distributor for details.

Rating Plate and Serial No.

Example of a Rating Plate for a Std Power Fan Type Unit

MADE IN MEXICO			
UNIT HEATER		NRTL	
CATEGORY [Z]			
ANSI Z83.8 [A] CSA 2.6 [A'] UNIT HEATER			
CSA .10.96 U.S. (2nd Ed.) UNIT HEATERS FOR RESIDENTIAL INSTALLATION			
MODEL [B]		[C]	
SERIAL NO.			
[D] VOLTS [D] PH [D] HZ MAXIMUM TOTAL INPUT [D] AMPS			
TYPE OF GAS: [E]			
FOR USE AT 0-2000 FEET, 0-610 METERS OF ALTITUDE.			
ORIFICE SIZE [F] DRILL HAS BEEN FACTORY ADJUSTED			
SEA LEVEL			
NORMAL INPUT	[J]	BTU/HR	
THERMAL OUTPUT CAPACITY	[L]	BTU/HR	
MINIMUM INPUT(-2 MODELS)	[M]	BTU/HR	
NORMAL MANIFOLD PRESSURE	[G]	IN.W.C.	
MIN. PERMISSIBLE GAS SUPPLY PRESSURE			
FOR PURPOSE OF INPUT ADJUSTMENT. [H] IN.W.C.			
CLEARANCES TO COMBUSTIBLE CONSTRUCTION: TOP-[N] ",			
FLUE CONNECTION-6", CONTROL SIDE-18", OPP. SIDE-[P] ",			
BOTTOM-1", FRONT-36".			
FOR ALTERNATE INSTALLATIONS USE THE LATEST EDITIONS OF			
THE APPROPRIATE STANDARD LISTED BELOW:			
FOR AIRCRAFT HANGARS	USE STANDARD ANSI/NFPA 409		
FOR PARKING STRUCTURES	USE STANDARD ANSI/NFPA 88A		
FOR REPAIR GARAGES	USE STANDARD ANSI/NFPA 88B		
THIS UNIT IS NOT FOR USE WITH DUCTS.			
THIS UNIT IS NOT FOR USE WITH FILTERS.			
IN THE EVENT THE FLAME ROLLOUT SENSOR CAUSES THE			
HEATER TO SHUT OFF, DETERMINE AND CORRECT THE CAUSE.			
FAILURE TO DO SO COULD RESULT IN PERSONAL INJURY OR			
DEATH. TO RESET, DEPRESS THE BUTTON ON THE SENSOR			
LOCATED ON THE BURNER BOX ASSEMBLY.			

Example of a Rating Plate for a Std Power Blower Type Unit

MADE IN MEXICO			
UNIT HEATER		NRTL	
CATEGORY [Z]			
ANSI Z83.8 [A] CSA 2.6 [A'] UNIT HEATER			
MODEL [B]			
[C]			
SERIAL NO.			
[K] HP			
[D] VOLTS [D] PH [D] HZ MAXIMUM TOTAL INPUT [D] AMPS			
TYPE OF GAS: [E]			
FOR USE AT 0-2000 FEET, 0-610 METERS OF ALTITUDE.			
ORIFICE SIZE [F] DRILL			
SEA LEVEL			
NORMAL INPUT	[J]	BTU/HR	
THERMAL OUTPUT CAPACITY	[L]	BTU/HR	
MINIMUM INPUT(-2 MODELS)	[M]	BTU/HR	
NORMAL MANIFOLD PRESSURE	[G]	IN.W.C.	
MIN. PERMISSIBLE GAS SUPPLY PRESSURE			
FOR PURPOSE OF INPUT ADJUSTMENT. [H] IN.W.C.			
TEMPERATURE RISE RANGE FROM [Q] DEG. F. TO [R] DEG. F.			
MAXIMUM EXTERNAL STATIC PRESSURE [S] IN. W.C.			
CLEARANCES TO COMBUSTIBLE CONSTRUCTION: TOP-[N] ", FLUE			
CONNECTION-6", CONTROL SIDE-18", OPP. SIDE-[P] ", BOTTOM-1", FRONT-36"			
FOR ALTERNATE INSTALLATIONS USE THE LATEST EDITIONS OF THE			
APPROPRIATE STANDARD LISTED BELOW:			
FOR AIRCRAFT HANGARS	USE STANDARD ANSI/NFPA 409		
FOR PARKING STRUCTURES	USE STANDARD ANSI/NFPA 88A		
FOR REPAIR GARAGES	USE STANDARD ANSI/NFPA 88B		
INSTALLATION OF THIS UNIT IN AIRCRAFT HANGERS IN ACCORDANCE WITH			
THE REQUIREMENTS OF THE ENFORCING AUTHORITIES AND IN PUBLIC			
GARAGES IN ACCORDANCE WITH THE CAN/CGA-B149 (.1 OR .2) CODES.			
THIS UNIT IS NOT FOR USE WITH FILTERS.			
THIS UNIT MAY BE USED WITH DUCTS.			

Rating Plate Key:

A	Date of ANSI Standard	K	Blower Motor Horsepower
A'	Date of CSA Standard	L	BTU Thermal Output Sea Level
B	Model No.	M	BTU Minimum Input Sea Level
C	Month and Year of Manufacture	N	Top Clearance
D	Voltage, Phase, 60 Hertz, Maximum Total Input Amps	P	Left Side Clearance
E	Natural Gas or Propane	Q	Temperature Rise From (°F)
F	Orifice Size	R	Temperature Rise To (°F)
G	Manifold Pressure (3.5" w.c. Natural Gas; 10" w.c. Propane)	S	Maximum External Static Pressure (inches w.c.)
H	Minimum Gas supply Pressure (5.0" w.c. Natural Gas; 11.0" w.c. Propane)	Z	Category
J	BTU Normal Input Sea Level		

Decoding a Serial No.

Example of a Serial No. BLK 79 6E N 00000					
CODE Nos.	1	2	3	4	5
CODE No.	Explanation				
1	Date of manufacture (see below)				
2	Type of ignition system				
3	Type of gas valve				
4	Gas (N = natural; L = propane)				
5	Consecutive number (identification only)				

First Element of the Serial Number - Date of Manufacture

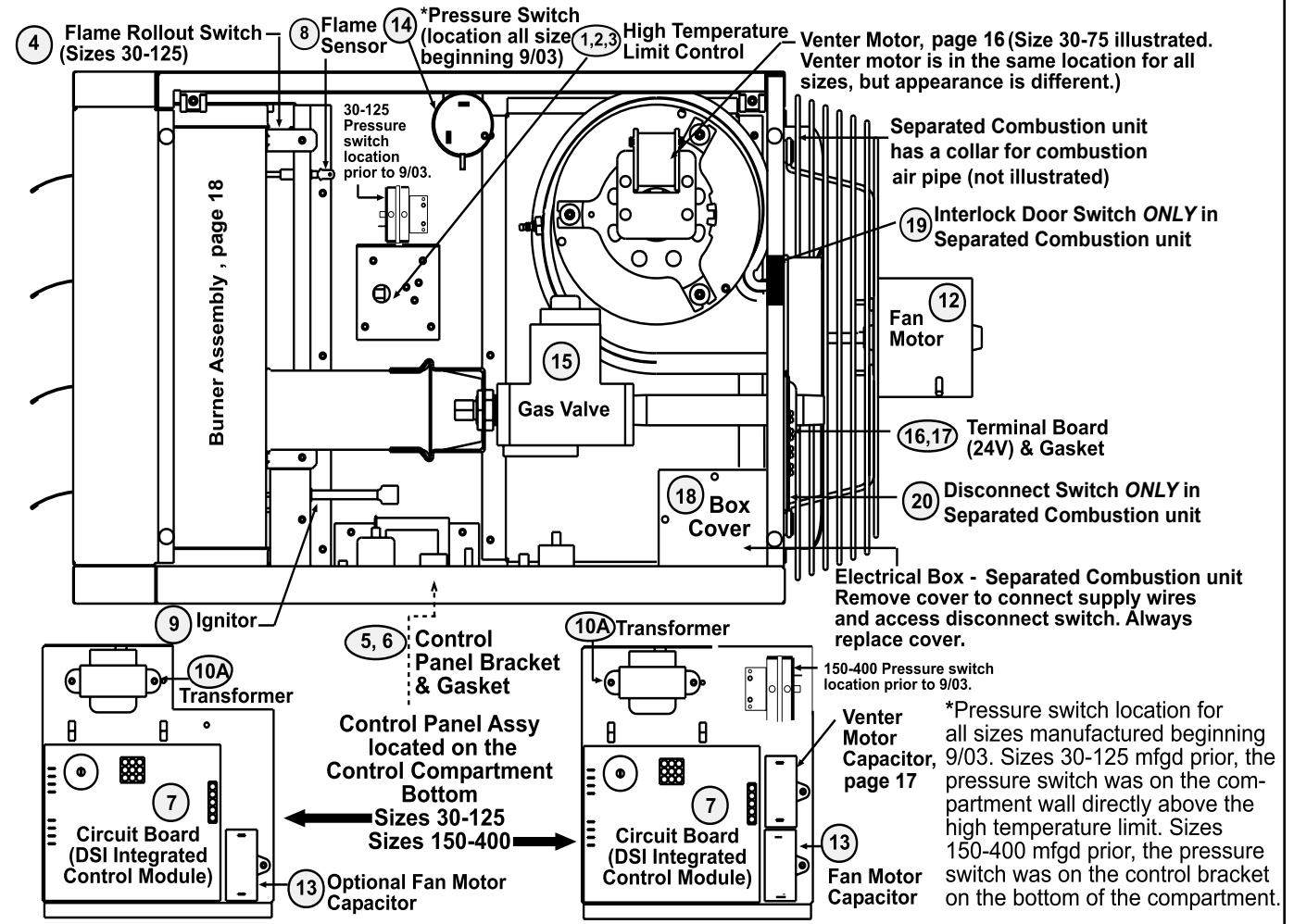
Year	Jan	Feb	Mar	Apr	May	June	July	Aug	Sept	Oct	Nov	Dec
2002	BBA	BBB	BBC	BBD	BBE	BBF	BBG	BBH	BBI	BBJ	BBK	BBL
2003	BCA	BCB	BCC	BCD	BCE	BCF	BCG	BCH	BCI	BCJ	BCK	BCL
2004	BDA	BDB	BDC	BDD	BDE	BDF	BDG	BDH	BDI	BDJ	BDK	BDL
2005	BEA	BEB	BEC	BED	BEE	BEF	BEG	BEH	BEI	BEJ	BEK	BEL
2006	BFA	BFB	BFC	BFD	BFE	BFF	BFG	BFH	BFI	BFJ	BFK	BFL
2007	BGA	BGB	BGC	BGD	BGE	BGF	BGG	BGH	BGI	BGJ	BGK	BGL
2008	BHA	BHB	BHC	BHD	BHE	BHF	BHG	BHH	BHI	BHJ	BHK	BHL
2009	BIA	BIB	BIC	BID	BIE	BIF	BIG	BIH	BII	BIJ	BIK	BIL
2010	BJA	BJB	BJC	BJD	BJE	BJF	BJG	BJH	BJI	BJJ	BJK	BJL
2011	BKA	BKB	BKC	BKD	BKE	BKF	BKG	BKH	BKI	BKJ	BKK	BKL
2012	BLA	BLB	BLC	BLD	BLE	BLF	BLG	BLH	BLI	BLJ	BLK	BLL
2013	BMA	BMB	BMC	BMD	BME	BMF	BMG	BMH	BMI	BMJ	BMK	BML
2014	BNA	BNB	BNC	BND	BNE	BNF	BNG	BNH	BNI	BNJ	BNK	BNL
2015	BOA	BOB	BOC	BOD	BOE	BOF	BOG	BOH	BOI	BOJ	BOK	BOL
2016	BPA	BPB	BPC	BPD	BPE	BPF	BPG	BPH	BPI	BPJ	BPK	BPL
2017	BQA	BQB	BQC	BQD	BQE	BQF	BQG	BQH	BQI	BQJ	BQK	BQL
2018	BRA	BRB	BRC	BRD	BRE	BRF	BRG	BRH	BRI	BRJ	BRK	BRL
2019	BSA	BSB	BSC	BSD	BSE	BSF	BSG	BSH	BSI	BSJ	BSK	BSL
2020	BTA	BTB	BTC	BTD	BTE	BTF	BTG	BTH	BTI	BTJ	BTK	BTL

References

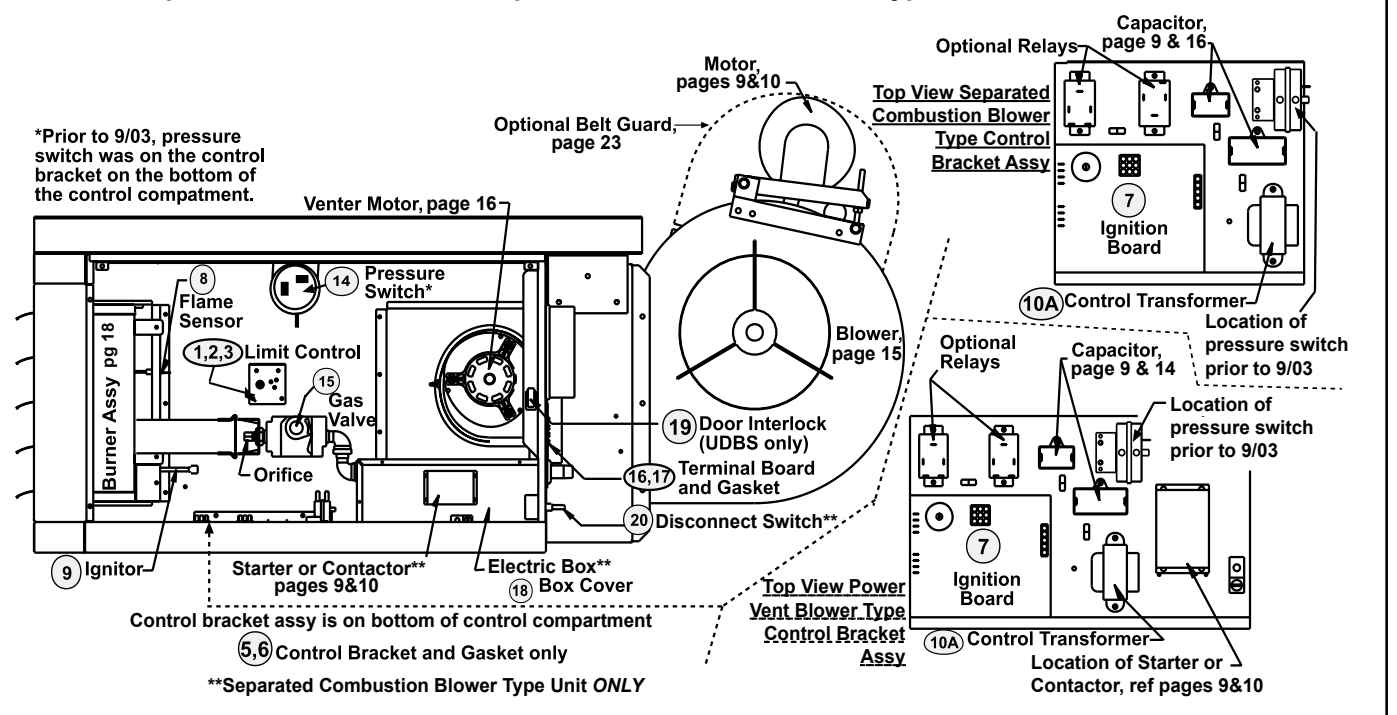
Printed Forms (Request by Form designation; not P/N.)	Form	P/N
Installation/Operation - All Power Vent & Separated Combustion unit heaters.....	I-APD & UDA.....	XXXXXX
Installation/Operation - All Power Vent & Separated Combustion Blower Type unit heaters..	I-UDB.....	202658
Venting Installation - All Power Vent Fan & Blower Type unit heaters	I-UD-V-PV.....	195675
Venting Installation - Power Vent Fan Type unit heater with Opt AV6 (common vent)..	I-UD-V-CV.....	195677
Venting Installation - Separated Combustion Fan & Blower Type unit heaters	I-UD-V-SC.....	195676
Gas Conversion	CP-UD-GC.....	197209
High Altitude (above 6000 ft)	I-UD-HA	197081
Serial No., Valves, and Ignition Contrlos	P-VALVES.....	263995

Electrical Components - Location, Quantity (Quantities other than one are listed in parenthesis.), and P/N (see pages 7&8 for photos)

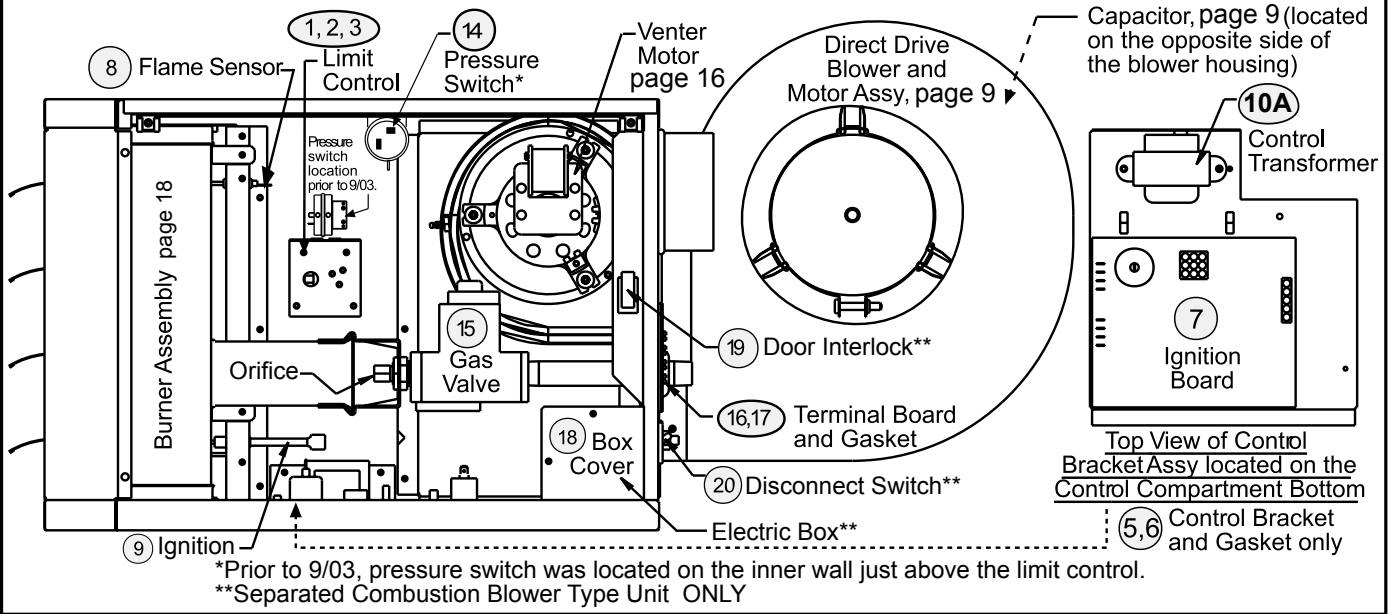
Control Compartment - Standard Power Vent & Separated Combustion Fan Type Model - Sizes 30-400



Control Compartment - Power Vent & Separated Combustion Blower Type Model - Sizes 150-400



Control Compartment - Standard Power Vent Blower Type Model - Sizes 30-125



Code	Description	Model	Size														
			30	45	60	75	100	125	150	175	200	225	250	300	350	400	
1A	High Temperature Limit Control, Auto Reset (NOTE: Color listed is the color of the identifying dot on the limit control label. "None" indicates no colored dot on the label.)	Std Power Vent & Separated Combustion Fan Type Unit	96512, 220°F, Blue		45602, 180°F, None			85449, 200°F, Yellow	45602, 180°F, None	82091, 160°F, Red	45602, 180°F, None	82091, 160°F, Red	45602, 180°F, None	85449, 200°F, Yellow	45602, 180°F, None		
		Std Power Vent & Separated Combustion Blower Type Unit	201961, 275°F, Green	96512, 220°F, Blue	85449, 200°F, Yellow	96512, 220°F, Blue	201961, 275°F, Green	45602, 180°F, None	202048, 240°F, Silver	45602, 180°F, None	201962, 250°F, Orange	202048, 240°F, Silver	85449, 200°F, Yellow				
1B	High Temperature Limit Control, Auto Reset - Std Power Vent Fan Type Heater w/Opt AL2B	Std Power Vent Fan Type-45LN (low noise)	N/A	85449, 200°F, Yellow	N/A												
2	Limit Control Plate	All	170025														
3	Limit Control Bracket	Std Power Vent & Separated Combustion Fan Type Unit	170026														
		Std Power Vent & Separated Combustion Blower Type Unit	201771										202701				
4	Flame Rollout Switch, Manual Reset	Std Power Vent & Separated Combustion Fan Type Unit	197033, 210°F / -31°F, Violet Dot	196949, 225°F / -31°F, Red Dot	196950, 250°F / -31°F, Yellow Dot	--	--	--	--	--	--	--	--	--	--		
5	Control Mounting Bracket	Std Power Vent & Separated Combustion Fan Type Unit	195551						195294								
		Std Power Vent Blower Type Unit	195551						202736								
		Separated Combustion Blower Type Unit	195551						195294								
6	Cntrl Mounting Bracket Gasket	All	195664														
7	Circuit Board (DSI Ign-Cntrl)	All	195265, UTC 1097-210, Serial No. Code 79														
7A	Fuse for Circuit Board	All	P/N 201685 or replace with a field-supplied Type ATC or ATO 3 amp fuse, Color Code Violet.														
8	Flame Sensor	All	195292														
9	Ignitor (Electrode Assy)	All	175272														
10A	Transformer	115V	Std Power Vent & Separated Combustion Fan Type Unit	175265, 25VA													
			All*	194808, 40 VA (*40VA transformer only applies to Std Power Vent & Separated Combustion Fan Type Unit Heaters when equipped with multiple heater control Option CL31)													
		208V-230V/1ph	194536, 40 VA														
		208V-230V/3ph	Std Power Vent & Separated Combustion Blower Type Unit	--	--	--	--	--	--	--	--	--	--	--	194536, 40 VA		
10B**	Xformer w/ Opts D10/14 DDC Cntrls	115V	N/A						175265, 25VA and 194808, 40VA								
		208V-230V/1ph	N/A						(2) 194536, 40 VA								
11	Stepdown Transformer	480V supply 120V	--	--	--	--	--	--	--	--	--	--	11100, 1/2 KVA				
		575V supply 120V	--	--	--	--	--	--	--	--	--	--	202056, 575/120				

Electrical Components (Cont'd) - Location, Quantity (Quantities other than one are listed in parenthesis) and P/N (see pages 7&8 for photos)

Code	Description	Model	Size														
			30	45	60	75	100	125	150	175	200	225	250	300	350	400	
12A	Fan Motor (See spacing, pg 7)	115V Open	Std Power Vent & Separated Combustion Fan Type Unit	196240	196241	196242	196243	196244	196245	271461 (replaces 196246 - for units mfg'd after 9/2013)	196247						
		115V TEFC (AL14)		203310			203724			196824			196825 (Must be Fasco Rev D)				
		***208/230V Open		196826 ***						195302 ***			195303 ***				
12B	Fan Mtr 115V w/Opt AL2B	Std Power Vent Fan Type-45LN (low noise)	N/A	203030	N/A												
13	Fan Motor Capacitor	115V	--	--	--	195642 (units mfg'd begin 2/11)					195643, 7.5 mfd						
		208/230V	--	--	--	195643, 7.5 mfd											
		115Vw/AL14	--	--	--	195642, 5 mfd					195643, 7.5 mfd					217031, 15mfd	
14	Pressure Switch, 0 to 6000 ft (Above 6000 ft, see kits on page 16.) NOTE: Color listed is the identifying color of the pressure switch label.	Std Power Vent Fan Type-CV ****	197028, .65" w.c., Yellow	196388, .50" w.c., Orange	197029, .60" w.c., Light Blue	196362, .55" w.c., White	--	--	--	--	--	--	--	--	--	--	
		Std Power Vent Fan Type Unit	197030, .40" w.c., Green		196388, .50" w.c., Orange		197030, .40" w.c., Green		201158, 1.10" w.c., Blue								
		Separated Combustion Fan Type Unit	197028, .65" w.c., Yellow				196362, .55" w.c., White	197032, .45" w.c., Pink	197030, .40" w.c., Green	201158, 1.10" w.c., Blue		201158, 1.10" w.c., blue, on Sizes 350 & 400 mfg'd beginning 7/23/2009.					
		Std Power Vent Blower Type Unit	197030, .40" w.c., Green		196388, .50" w.c., Orange		197030, .40" w.c., Green		197030, .40" w.c., Green		201158, 1.10" w.c., Blue		201159, 1.40" w.c., red, Sizes 350 & 400 mfg'd prior to 7/23/2009				
		Separated Combustion Blower Type Unit	197030, .40" w.c., Green	196388, .50" w.c., Orange	197029, .60" w.c., Lt Blue	196388, .50" w.c., Orange	197030, .40" w.c., Green	197032, .45" w.c., Pink	197030, .40" w.c., Green	201158, 1.10" w.c., Blue							
15	Gas Valve	Natural, 1-Stage	260603, 1/2x1/2, MH VR8215T1239, (6E)								196981, 3/4x3/4, MH VR8305K4241, (Y3 or Z8)						
		Propane, 1-Stage	263999, 1/2x1/2, MH VR8215T5214, (9E)								196983, 3/4x3/4, MH VR8305K4258, (Y5 or 1A)						
		Natural, 2-Stage	--	--	197066, 1/2x1/2, MH VR8205N2921, (Y8 or 4A)					197067, 3/4x3/4, MH VR8305N4297, (Y9 or 5A)							
		Propane, 2-Stage	--	--	197064, 1/2x1/2, MH VR8205N2913, (Y6 or 2A)					197065, 3/4x3/4, MH VR8305N4289, (Y7 or 3A)							
16	Terminal Board (24V), 4 pole	All	196813														
17	Terminal Board Gasket		196327														
18	Electrical Box Cover	Separated	201945														
19	Door Switch	Combustion Fan and Blower Type Units	217262, Carling #TA22B-TLB-B														
20	Disconnect Switch		101902 (after 10/06) / (201946 before 10/06)						101902 (replaced 202054)								
21	Wiring Harness with 9 pin Terminal	Std Power Vent & Separated Combustion Fan Type Unit	197148	197199	197149	201417	201418	201419									
		Std Power Vent & Separated Combustion Blower Type Unit	203523	203524	203525	203526	203527	203528									
22	Wiring Harness w/ 5 pin Terminal	All	195653						195656								

** For location, see page 8.

*** When inventory of the 208/230V fan motors is depleted, they will no longer be available as replacement parts. A replacement 115V motor and the installation of a stepdown transformer kit (Opt CG1 or 2, page 8) will be required. Check with your distributor for availability.

**** Std Power Vent Fan type unit-CV is a Std Power Vent Fan type unit with factory-installed Common Vent Option AV6

Electrical Components - See locations on pages 4 and 5.

CODE 1 - High Temperature Limit Control, Auto Reset
P/N 45602, 180°F, No Dot
P/N 85449, 200°F, Yellow Dot
P/N 96512, 220°F, Blue Dot
P/N 202048, 240°F, Silver Dot
P/N 201962, 250°F, Orange Dot
P/N 201961, 275°F, Green Dot



Bracket, **P/N 170026**
 Plate, **P/N 170025**

CODE 4 - Flame Rollout Switch, Manual Reset



Std Power Vent & Separated Combust Fan Type Units

Model 30 - **P/N 197033**, 210°F, Violet Dot
 Models 45, 60, 75 - **P/N 196949**, 225°F, Red Dot
 Models 100, 125 - **P/N 196950**, 250°F, Yellow Dot

CODE 7 - Circuit Board (DSI Ignition Control), P/N 195265, UTC 1097-210



To replace fuse, use **P/N 201685** or a field supplied Type ATC or ATO 3 amp fuse, Color Code Violet

CODE 8 - Flame Sensor, P/N 195292



CODE 9 - Ignitor (Electrode Assembly), P/N 175272



CODE 10 - Transformer



115V-25VA, **P/N 175265**
 115V-40VA, **P/N 194808**
 208/230V-40VA, **P/N 194536**

CODE 11 - Stepdown Transformer



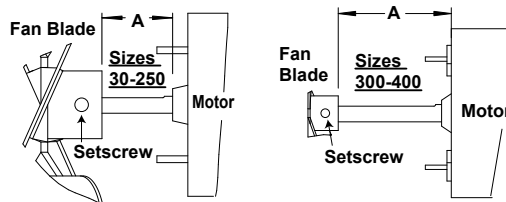
460V-120V, 1/2 KVA (500VA), **P/N 11100**
 575V-120V, **P/N 202056**
 (Stepdown transformer is not in the control compartment; it hangs on the outside of the heater cabinet.)

CODE 12 - Fan Motor



See motor application and P/N's on page 6.
 For fan blade P/N's, see page 14

Fan Blade/Motor Spacing by Unit Size and Type of Fan Guard



Std Power Vent & Separated Combust Fan Type Unit Size	A = Fan Spacing				Setscrew Torque (in/lbs ±10)	
	Standard Wire Fan Guard with .5" (13mm) Spacing		Option AZ8 Wire Fan Guard with .334" (8.5mm) Spacing			
30	1"	25 mm	1"	25 mm	80	
45	9/16"	14 mm	1-1/16"	27 mm		
45-LN	3/4"	19 mm	N/A			
60	1-1/2"	38 mm	1-3/4"	44 mm		
75	2-1/8"	54 mm	1-1/2"	38 mm		
100	2-3/8"	60 mm	2-3/8"	60 mm		120
125	2-5/16"	59 mm	2-1/8"	54 mm		
150	2-3/8"	60 mm	N/A			
175	2-1/8"	54 mm				
200	1-5/8"	41 mm				
225/250/300	2"	51 mm				
350	1-7/8"	48 mm	N/A		130	
400	1-3/8"	35 mm				

CODE 13 - Fan Motor Capacitor
 (see page 6 for P/N)



CODE 14 - Pressure Switch, H/W #IS2



See application and P/N's on page 6. For high altitude (above 6000 ft), see page 21

CODE 15 - Gas Valve

Single-Stage Gas Valves



P/N	Serial No. Code	Replacement for Serial No. Code
196981	Y3 or Z8	
196983	Y5 or 1A	
260603	6E	Y2, Z7, X7, or Z3
263999	9E	Y4, Z9, X9, or Z5



Two-Stage Gas Valve



P/N	Serial No. Code	Replacement for Serial No. Code
197066	Y8 or 4A	X8 or Z4
197067	Y9 or 5A	
197064	Y6 or 2A	Y1 or Z6
197065	Y7 or 3A	

See application by P/N, Type, and Size on page 6.
 See Serial No. Decoding on page 3.

CODE 16 - Terminal Board, 24V, 4 pole, P/N 196813
CODE 17 - P/N 196327 for Separated Combustion Fan & Blower Type Units



CODE 19 - Interlock Door Switch, P/N 217262 for Separated Combustion Fan & Blower Type Units



CODE 20 - Disconnect Switch for Separated Combustion Fan or Blower Type Units
 (see page 6 for P/N)



DDC Controller, P/N 207944, and other components used in Option D10 and Option D14 (D14 requires field-provided sensor) - applies to Sizes 150-400

Code 21A, Novar Controller (mounts on the inside wall of the control compartment)

CODE	P/N	Description
21A	207944	Novar Controller, Model Minio 737200000
21B	207945	Novar Discharge Sensor Model 712007000DTS 30 (Option D10 only)
22	208069	Controller Bracket
23	195669	Gasket
24	18549	Relay, Heat (W/R 90-370)
	Order Kit P/N 263527 if replacing relay P/N 98118 (WR 134-20102-101)	

CODE 24 - Relay

CODE 10B - Transformer (See page 5.)

**CODE 22 - Bracket
CODE 23 - Gasket**



CODE 25 - Stepdown Transformer Kits (Same as Options CG1, CG2, CG4)



For Std Power Vent or Separated Combustion Fan Type Units	30	45, 60, 75, 100	125, 150, 175, 200	225, 250	300, 350, 400
Option CG1 (208 to 120V)	260919	260920	260921	260922	260923
includes Transformer (P/N, kva)	260927, .25	260928, .50	260929, .75	223462, 1.0	260930, 1.5
Option CG2 (230 to 120V) and Option CG4 (460 to 120V)	197150	197151	197152	197153	197154
includes Transformer (P/N, kva)	11279, .25	11100, .50	11217, .75	16065, 1.0	197085, 1.5
Option CG1, CG2, and CG4 Kits listed above include the following parts:					
Transformer Bracket	197079			197080	
Transformer Bracket Gasket	236155				
Hex Head Cap Screw	32253, 3/8 x 1" lg				
3/8" Lock Washer	5197				
3/8" Flat Washer	6593				
BX Cable, 3/8"	45097, 38"	174394, 46"	63292, 49"	10460, 56"	201465, 70"
Black wire 14 gauge, 105°C	32520, 54"	7208, 62"	123150, 65"	48862, 72"	201466, 86"
White wire 14 gauge, 105°C	201243, 54"	201242, 62"	123152, 65"	48861, 72"	201467, 86"
Green wire 14 gauge, 105°C	201241, 54"	201240, 62"	201468, 65"	201462, 72"	201469, 86"
Anti-Short Bushing	(2) 16358				
Straight Connector	16199				
90° Connector	1417, T&B #XC-290				
Cable Clamp, 1/2"	16227, Heyco #3328				
Sheetmetal Screws	(3) 11813, #10 x 1/2"				
Wire Connector 73B	(10) 16354, Ideal #3-0253				

NOTE: For stepdown transformer for Std Power Vent & Separated Combustion Blower Type Units with 460V or 575V, see CODE 11, page 5

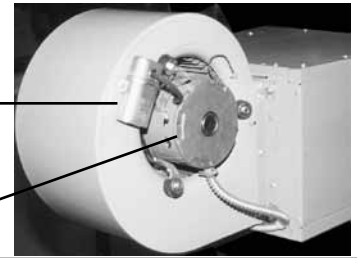
For Std Power Vent or Separated Combustion Blower Type Units	30, 45	60, 75	100, 125
Option CG1 (208 to 120V)	260924	260925	260926
includes Transformer (P/N, kva)	260928, .50	223462, 1.0	260931, 2.0
Option CG2 (230 to 120V) and Option CG4 (460 to 120V)	202976	202977	202978
includes Transformer (P/N, kva)	11100, .50	16065, 1.0	202979, 2.0
All Std Power Vent & Separated Combustion Blower Type Heaters Option CG1, CG2, and CG4 Kits listed above include the following parts:			
Transformer Bracket	197079		
Transformer Bracket Gasket	236155		
BX Cable, 3/8", (length in inches)	45097, 38"	174394, 46"	63292, 49"
Black wire 14 gauge, 105°C, (length in inches)	32520, 54"	7208, 62"	123150, 65"
White wire 14 gauge, 105°C, (length in inches)	201243, 54"	201242, 62"	123152, 65"
Green wire 14 gauge, 105°C, (length in inches)	201241, 54"	201240, 62"	201468, 65"
Anti-Short Bushing	(2) 16358		
Straight Connector, T&B #302	16202		
90° Connector, T&B #XC-290	1417		
Cable Clamp, 1/2" Heyco #3328	16227		
Sheetmetal Screws	(3) 11813		
Wire Connector 73B	(10) 16354		

Blower Motor, Capacitor, Starter, and Contactor

Std Power Vent or Separated Combustion Blower Type Units - Model Sizes 30-125

Code	Description	30	45	60	75	100	125
26	Direct Drive Motor Assembly	202731		202732		202733	
26A	Motor	201760		201761		201762	
		1/6 HP		1/3 HP		3/4 HP	
26C	Motor Band	51221					
26D	Support Arm	(3) 51223			(3) 220629		
26E	Hex Head Cap Screw 1/4" - 20 X 1-1/2" long	51231					
26F	1/4" - 20 Nut (Keys)	7328					
26G	BX Cable, 3/8"	2889, 30"				174387, 43"	
26H	Anti-Short Bushing	(2) 16358					
27	Blower Motor Capacitor, 370V	101917		101918		201763	
		5MFD		7.5MFD		15MFD	
28A	Capacitor End Cap	82113					
28B	Capacitor Strap Bracket	82114					

CODE 26 - Direct Drive Motor



CODE 27 - Motor Capacitor

CODE 26A - Motor

CODE 29 - Belt Drive Blower Motor



CODE 30 and 31 - Motor Starter and Overload



CODE 32 - Blower Motor Contactor

Motors that don't list a contactor require a starter. If a contactor is listed below, starter is optional.



Std Power Vent or Separated Combustion Blower Type Units - Model Sizes 150-400 -

CODE 29 - Belt Drive Motor; CODE 30 - Starter Overload; CODE 31 - Motor Starter; CODE 32 - Contactor
Motors that don't list a contactor require a starter. If a contactor is listed, starter is optional.

MOTOR	Type	HP	Mfr Model No.	P/N	Volt	ph	FLA	Frame	Shaft	Service Factor	Power Factor	Efficiency	OVERLOAD				STARTER			CONTACTOR			
													min	max	GE #	P/N	GE #	P/N	GE #	P/N			
Open	1/4		BF2024	210611	120	1	4.6	48/56	1/2	1.35			4.00	6.30	RTA1-L	151191	CL00A310T-J	151146	42AF35AF	119626			
Open	1/4		BF2024	210611	208	1	2.3	48/56	1/2	1.15	63	59.0%	1.80	2.70	RTA1-J	151189	CL00A310T-L	151150	42AF35AG	119627			
Open	1/4		BF2024	210611	240	1	2.3	48/56	1/2	1.15	63	59.0%	1.80	2.70	RTA1-J	151189	CL00A310T-S	151147	42AF35AG	119627			
Open	1/4		M3003	115864	208	3	1.1	K48	1/2	1.35	72	74.0%	1.00	1.50	RTA1-G	151187	CL00A310T-L	151150	-	-			
Open	1/4		M3003	115864	240	3	1.4	K48	1/2	1.35	72	74.0%	1.00	1.50	RTA1-G	151187	CL00A310T-S	151147	-	-			
Open	1/4		M3003	115864	480	3	0.75	K48	1/2	1.35	72	81.0%	0.65	1.10	RTA1-F	151186	CL00A310T-J	151146	-	-			
Open	1/3		BF2034	202091	120	1	6.0	48/56	1/2	1.35			4.00	6.30	RTA1-L	151191	CL00A310T-J	151146	42AF35AF	119626			
Open	1/3		BF2034	202091	208	1	3.0	48/56	1/2	1.35			2.50	4.10	RTA1-K	151190	CL00A310T-L	151150	42AF35AG	119627			
Open	1/3		BF2034	202091	240	1	3.0	48/56	1/2	1.35			2.50	4.10	RTA1-K	151190	CL00A310T-S	151147	42AF35AG	119627			
Open	1/3		M3007	115863	208	3	1.4	K48	1/2	1.35			1.80	2.70	RTA1-J	151189	CL00A310T-L	151150	-	-			
Open	1/3		M3007	115863	240	3	1.6	K48	1/2	1.35			1.30	1.90	RTA1-H	151188	CL00A310T-S	151147	-	-			
Open	1/3		M3007	115863	480	3	0.8	K48	1/2	1.35			0.65	1.10	RTA1-F	151186	CL00A310T-J	151146	-	-			
Open	1/2		BF2054	102627	120	1	8.8	56Z	5/8	1.15			8.00	12.00	RTA1-N	151193	CL00A310T-J	151146	42AF35AF	119626			
Open	1/2		BF2054	102627	208	1	5.1	56Z	5/8	1.15			4.00	6.30	RTA1-L	151191	CL00A310T-L	151150	42AF35AG	119627			
Open	1/2		BF2054	102627	240	1	4.4	56Z	5/8	1.15			4.00	6.30	RTA1-L	151191	CL00A310T-S	151147	42AF35AG	119627			
Open	1/2		H880	159183	208	3	2.5	LA56	5/8	1.25			1.80	2.70	RTA1-J	151189	CL00A310T-L	151150	42AF35AG	119627			
Open	1/2		H880	159183	240	3	3.0	LA56	5/8	1.25			2.50	4.10	RTA1-K	151190	CL00A310T-S	151147	42AF35AG	119627			
Open	1/2		H880	159183	480	3	1.5	LA56	5/8	1.25			1.30	1.90	RTA1-H	151188	CL00A310T-J	151146	42AF35AF	119626			
Open	1/2		H991	202089	575	3	0.9	H56	5/8	1.25			0.65	1.10	RTA1-F	151186	CL00A310T-J	151146	-	-			
Open	3/4		AOS-C426V1	93548	120	1	11.0	B56	5/8	1.25			10.00	16.00	RTA1-P	151194	CL01A310T-J	151151	42AF35AF	119626			
Open	3/4		AOS-C426V1	93548	208	1	5.5	B56	5/8	1.25			4.00	6.30	RTA1-L	151191	CL00A310T-L	151150	42AF35AG	119627			
Open	3/4		AOS-C426V1	93548	240	1	5.4	B56	5/8	1.25			4.00	6.30	RTA1-L	151191	CL00A310T-S	151147	42AF35AG	119627			
Open	3/4		312P696	36951	208	3	2.9	D56	5/8	1.25			2.50	4.10	RTA1-K	151190	CL00A310T-L	151150	42AF35AG	119627			
Open	3/4		312P696	36951	240	3	2.6	D56	5/8	1.25			2.50	4.10	RTA1-K	151190	CL00A310T-S	151147	42AF35AG	119627			
Open	3/4		312P696	36951	480	3	1.3	D56	5/8	1.25			1.00	1.50	RTA1-G	151187	CL00A310T-J	151146	42AF35AF	119626			
Open	3/4		H992	202090	575	3	1.0	H56	5/8	1.25			0.65	1.10	RTA1-F	151186	CL00A310T-J	151146	-	-			
Open	1		C523	13685	120	1	13.0	H56	5/8	1.25			10.00	16.00	RTA1-P	151194	CL01A310T-J	151151	42AF35AF	119626			
Open	1		C523	13685	208	1	7.5	H56	5/8	1.25			5.50	8.50	RTA1-M	151192	CL00A310T-L	151146	42AF35AG	119627			
Open	1		C523	13685	240	1	6.5	H56	5/8	1.25			5.50	8.50	RTA1-M	151192	CL00A310T-S	151147	42AF35AG	119627			
Open	1		AOS-H882L	36580	208	3	3.4	56H	5/8	1.15		79.0%	2.50	4.10	RTA1-K	151190	CL00A310T-L	151150	42AF35AG	119627			
Open	1		AOS-H882L	36580	240	3	3.7	56H	5/8	1.15		79.0%	2.50	4.10	RTA1-K	151190	CL00A310T-S	151147	42AF35AG	119627			
Open	1		AOS-H882L	36580	480	3	2.0	56H	5/8	1.15		79.0%	1.80	2.70	RTA1-J	151189	CL00A310T-J	151146	42AF35AF	119626			
Open	1		AOS-H959	158175	575	3	1.4	JA56	5/8	1.15		82.5%	1.00	1.50	RTA1-G	151187	CL00A310T-J	151146	-	-			
Open	1.5		C621	194202	120	1	15.0	56	5/8	1.2	86.4	77.2%	10.00	16.00	RTA1-P	151194	CL02A310T-J	151156	42AF35AF	119626			
Open	1.5		C621	194202	208	1	7.8	56	5/8	1.2	86.4	77.2%	5.50	8.50	RTA1-M	151192	CL00A310T-L	151150	42AF35AG	119627			
Open	1.5		C621	194202	240	1	7.5	56	5/8	1.2	86.4	77.2%	5.50	8.50	RTA1-M	151192	CL00A310T-S	151147	42AF35AG	119627			
Open	1.5		AOS-H884L	115859	208	3	5.6	UA56	5/8	1.15	66.4	78.6%	4.00	6.30	RTA1-L	151191	CL00A310T-L	151150	42AF35AG	119627			
Open	1.5		AOS-H884L	115859	240	3	5.0	UA56	5/8	1.15	66.4	78.6%	4.00	6.30	RTA1-L	151191	CL00A310T-S	151147	42AF35AG	119627			
Open	1.5		AOS-H884L	115859	480	3	2.8	UA56	5/8	1.15	66.4	78.6%	2.50	4.10	RTA1-K	151190	CL00A310T-J	151146	42AF35AF	119626			
Open	1.5		AOS-H960	158162	575	3	2.0	LA56H	7/8	1.15	85.3	84.0%	1.80	2.70	RTA1-J	151189	CL00A310T-J	151146	-	-			
Open	2		AOS-RB1204AV1	202581	120	1	24.6	56H	5/8	1			21.00	26.00	RTA1-U	151197	CL04A310M-J	151165	42AF35AF	119626			
Open	2		AOS-RB1204AV1	202581	208	1	12.3	56H	5/8	1.15			10.00	16.00	RTA1-P	151194	CL01A310T-L	151155	42AF35AG	119627			
Open	2		AOS-RB1204AV1	202581	240	1	12.3	56H	5/8	1.15			10.00	16.00	RTA1-P	151194	CL01A310T-S	151152	42AF35AG	119627			
Open	2		AOS-H886	159327	208	3	7.0	56HZ	7/8	1.15	67	79.0%	5.50	8.50	RTA1-M	151192	CL00A310T-L	151150	42AF35AG	119627			
Open	2		AOS-H886	159327	240	3	6.6	56HZ	7/8	1.15	67	79.0%	5.50	8.50	RTA1-M	151192	CL00A310T-S	151147	42AF35AG	119627			
Open	2		AOS-H886	159327	480	3	3.5	56HZ	7/8	1.15	67	79.0%	2.50	4.10	RTA1-K	151190	CL00A310T-J	151146	42AF35AF	119626			
Open	2		AOS-H965V1	158176	575	3	2.6	L56	7/8	1.15	86	84.0%	1.80	2.70	RTA1-J	151189	CL00A310T-J	151146	-	-			

Motors that don't list a contactor require a starter. If a contactor is listed, starter is optional.

MOTOR Type	HP	Mfr Model No.	P/N	Volt	ph	FLA	Frame	Shaft	Service Factor	Power Factor	Efficiency	OVERLOAD				STARTER		CONTACTOR	
												min	max	GE #	P/N	GE #	P/N	GE #	P/N
Open	3	AOS-H845	159185	240	3	8.6	P56Z	7/8	1.15			8.00	12.00	RTA1-N	151193	CL00A310T-S	151147	42AF35AG	119627
Open	3	AOS-H845	159185	480	3	4.3	P56Z	7/8	1.15			4.00	6.30	RTA1-L	151191	CL00A310T-J	151146	42AF35AF	119626
Open	3	AOS-H954	120019	575	3	3.6	N56Z	7/8	1.15	80.3	83.8%	2.50	4.10	RTA1-K	151190	CL00A310T-J	151146	-	-
Open	5	AOS-196033J	113371	208	3	13.4	Y56HZ	7/8	1.15	87.2	85.0%	10.00	16.00	RTA1-P	151194	CL01A310T-L	151155	-	-
Open	5	AOS-196033J	113371	240	3	13.2	Y56HZ	7/8	1.15	87.2	85.0%	10.00	16.00	RTA1-P	151194	CL01A310T-S	151152	-	-
Open	5	AOS-196033J	113371	480	3	6.6	Y56HZ	7/8	1.15	87.2	85.0%	5.50	8.50	RTA1-M	151192	CL00A310T-J	151146	-	-
Open	5	AOS-H956	120020	575	3	5.4	Y56HZ	7/8	1.15	85.9	85.3%	4.00	6.30	RTA1-L	151191	CL00A310T-J	151146	-	-
TEFC	1/4	Regal Beloit C664	16074*	120	1	3.8	H56	5/8	1			2.50	2.50	RTA1-K	151190	CL00A310T-J	151146	42AF35AF	119626
TEFC	1/4	Regal Beloit C664	16074*	208	1	2.0	H56	5/8	1.35			1.90	2.70	RTA1-J	151189	CL00A310T-L	151150	42AF35AG	119627
TEFC	1/4	Regal Beloit C664	16074*	240	1	1.9	H56	5/8	1.35			1.90	2.70	RTA1-J	151189	CL00A310T-S	151147	42AF35AG	119627
TEFC	1/4	USMTR T14S2A	271443**	208	3	1.1	56	5/8	1	61.9	72.1%	1.00	1.90	RTA1-G	151187	CL00A310T-L	151150	42AF35AG	119627
TEFC	1/4	USMTR T14S2A	271443**	240	3	1.1	56	5/8	1	61.9	72.1%	1.00	1.50	RTA1-G	151187	CL00A310T-S	151147	42AF35AG	119627
TEFC	1/4	USMTR T14S2A	271443**	480	3	0.5	56	5/8	1	61.9	72.1%	0.40	0.65	RTA1-D	151184	CL00A310T-J	151146	42AF35AF	119626
TEFC	1/3	AOS-906L	115861	120	1	4.6	N48	1/2	1	68.5	72.1%	4.00	6.30	RTA1-L	151191	CL00A310T-J	151146	42AF35AF	119626
TEFC	1/3	AOS-C151	159501	208	1	2.3	N48	1/2	1	67.2	69.5%	1.80	2.70	RTA1-J	151189	CL00A310T-L	151150	42AF35AG	119627
TEFC	1/3	AOS-C151	159501	240	1	2.4	N48	1/2	1	67.2	69.5%	1.80	2.70	RTA1-J	151189	CL00A310T-S	151147	42AF35AG	119627
TEFC	1/3	AOS-H261	105567	208	3	1.2	L48	1/2	1.15		79.5%	1.00	1.50	RTA1-G	151187	CL00A310T-L	151150	-	-
TEFC	1/3	AOS-H261	105567	240	3	1.2	L48	1/2	1.15		79.5%	1.00	1.50	RTA1-G	151187	CL00A310T-S	151147	-	-
TEFC	1/3	AOS-H261	105567	480	3	0.6	L48	1/2	1.15		79.5%	0.40	0.65	RTA1-D	151184	CL00A310T-J	151146	-	-
TEFC	1/2	AOS-C613	159184	120	1	7.2	J56	5/8	1.15			5.50	8.50	RTA1-M	151192	CL00A310T-J	151146	42AF35AF	119626
TEFC	1/2	AOS-C613	159184	208	1	3.5	J56	5/8	1.15			2.50	4.10	RTA1-K	151190	CL00A310T-L	151150	42AF35AG	119627
TEFC	1/2	AOS-C613	159184	240	1	3.6	J56	5/8	1.15			2.50	4.10	RTA1-K	151190	CL00A310T-S	151147	42AF35AG	119627
TEFC	1/2	AOS-H274	16077	208	3	2.3	H56	5/8	1	59.5	74.8%	1.80	2.70	RTA1-J	151189	CL00A310T-L	151150	42AF35AG	119627
TEFC	1/2	AOS-H274	16077	240	3	2.0	H56	5/8	1	59.5	74.8%	1.80	2.70	RTA1-J	151189	CL00A310T-S	151147	42AF35AG	119627
TEFC	1/2	AOS-H274	16077	480	3	1.0	H56	5/8	1	59.5	74.8%	0.65	1.10	RTA1-F	151186	CL00A310T-J	151146	42AF35AF	119626
TEFC	1/2	AOS-H276	105568	575	3	0.7	J56	5/8	1.15	76.4	77.0%	0.65	1.10	RTA1-F	151186	CL00A310T-J	151146	-	-
TEFC	3/4	AOS-F353	115860	120	1	11.0	F56	5/8	1	66	65.7%	10.00	16.00	RTA1-P	151194	CL01A310T-J	151151	42AF35AF	119626
TEFC	3/4	AOS-F353	115860	208	1	5.4	F56	5/8	1	66	65.7%	4.00	6.30	RTA1-L	151191	CL00A310T-L	151150	42AF35AG	119627
TEFC	3/4	AOS-F353	115860	240	1	5.5	F56	5/8	1	66	65.7%	4.00	6.30	RTA1-L	151191	CL00A310T-S	151147	42AF35AG	119627
TEFC	3/4	AOS-H580	20371	208	3	2.0	KA56	5/8	1	73.5	81.1%	1.80	2.70	RTA1-J	151189	CL00A310T-L	151150	42AF35AG	119627
TEFC	3/4	AOS-H580	20371	240	3	2.2	KA56	5/8	1	73.5	81.1%	1.80	2.70	RTA1-J	151189	CL00A310T-S	151147	42AF35AG	119627
TEFC	3/4	AOS-H580	20371	480	3	1.1	KA56	5/8	1	73.5	81.1%	1.00	1.50	RTA1-G	151187	CL00A310T-J	151146	42AF35AF	119626
TEFC	3/4	AOS-H461	105569	575	3	0.8	L56	5/8	1.15	78.3	82.0%	0.65	1.10	RTA1-F	151186	CL00A310T-J	151146	-	-
TEFC	1	AOS-159105	174993	120	1	12.0	L56	5/8	1.15	74.3	70.6%	10.00	16.00	RTA1-P	151194	CL01A310T-J	151151	42AF35AF	119626
TEFC	1	AOS-159105	174993	208	1	6.2	L56	5/8	1.15	74.3	70.6%	5.50	8.50	RTA1-M	151192	CL00A310T-L	151150	42AF35AG	119627
TEFC	1	AOS-159105	174993	240	1	6.0	L56	5/8	1.15	74.3	70.6%	5.50	8.50	RTA1-M	151192	CL00A310T-S	151147	42AF35AG	119627
TEFC	1	WEG-00118E	271444**	208	3	3.3	D56	5/8	1	74.4	80.2%	2.50	4.10	RTA1-K	151190	CL00A310T-L	151150	42AF35AG	119627
TEFC	1	WEG-00118E	271444**	240	3	3.1	D56	5/8	1	74.4	80.2%	2.50	4.10	RTA1-K	151190	CL00A310T-S	151147	42AF35AG	119627
TEFC	1	WEG-00118E	271444**	480	3	1.6	D56	5/8	1	74.4	80.2%	1.30	1.90	RTA1-H	151188	CL00A310T-J	151146	42AF35AF	119626
TEFC	1	AOS-H525	105570	575	3	1.4	56	5/8	1.15	71.6	80.4%	1.00	1.50	RTA1-G	151187	CL00A310T-J	151146	-	-
TEFC	1.5	AOS-C686	94347	120	1	16.4	TK56H	5/8				14.50	18.00	RTA1-S	151196	CL02A310T-J	151156	42AF35AF	119626
TEFC	1.5	AOS-C686	94347	208	1	9.5	TK56H	5/8				8.00	12.00	RTA1-N	151193	CL00A310T-L	151150	42AF35AG	119627
TEFC	1.5	AOS-C686	94347	240	1	8.2	TK56H	5/8				8.00	12.00	RTA1-N	151193	CL00A310T-S	151147	42AF35AG	119627
TEFC	1.5	WEG-00158E	271445**	208	3	4.3	D56	5/8	1	80.9	82.4%	4.00	6.30	RTA1-L	151191	CL00A310T-L	151150	42AF35AG	119627
TEFC	1.5	WEG-00158E	271445**	240	3	4.4	D56	5/8	1	80.9	82.4%	4.00	6.30	RTA1-L	151191	CL00A310T-S	151147	42AF35AG	119627
TEFC	1.5	WEG-00158E	271445**	480	3	2.2	D56	5/8	1	80.9	82.4%	1.80	2.70	RTA1-J	151189	CL00A310T-J	151146	42AF35AF	119626
TEFC	1.5	AOS-T59027	105665	575	3	1.7	145T	7/8	1.15	85.7	84.0%	1.30	1.90	RTA1-H	151188	CL00A310T-J	151146	-	-
TEFC	2	L3516M	205881	230	1	8.3	56HZ	7/8	1.15	99	78.0%	5.50	8.50	RTA1-M	151192	CL00A310T-I	151147	42AF35AG	119627
TEFC	2	WEST-NP0024	158165	208	3	7.6	145T	7/8	1.15	77.5	84.0%	5.50	8.50	RTA1-M	151192	CL00A310T-L	151150	-	-
TEFC	2	WEST-NP0024	158165	240	3	5.6	145T	7/8	1.15	77.5	84.0%	4.00	6.30	RTA1-L	151191	CL00A310T-S	151147	-	-
TEFC	2	WEST-NP0024	158165	480	3	2.8	145T	7/8	1.15	77.5	84.0%	2.50	4.10	RTA1-K	151190	CL00A310T-J	151146	-	-
TEFC	2	AOS-T59028	158166	575	3	2.2	145T	7/8	1.15	77.5	84.0%	1.80	2.70	RTA1-J	151189	CL00A310T-J	151146	-	-
TEFC	3	M3559T	159330	208	3	7.7	145T	7/8	1.15	85.5	85.5%	5.50	8.50	RTA1-M	151192	CL00A310T-L	151150	-	-
TEFC	3	M3559T	159330	240	3	7.0	145T	7/8	1.15	85.5	85.5%	5.50	8.50	RTA1-M	151192	CL00A310T-S	151147	-	-
TEFC	3	M3559T	159330	480	3	3.5	145T	7/8	1.15	85.5	85.5%	2.50	4.10	RTA1-K	151190	CL00A310T-J	151146	-	-
TEFC	3	B-EM3559T-5	111571	575	3	2.8	145T	7/8	1.15	85.5	85.5%	2.50	4.10	RTA1-K	151190	CL00A310T-J	151146	-	-

TEFC Motor Replacement Notes:

***Shaft Size Change:**

* TEFC 1/4 HP, 120/1 phase - Regal Beloit C664 is a replacement motor for USMTR T14CA2J19 - both have a shaft size of 5/8", original AOS motor was 1/2". (NOTE: Replacement Overload for USMTR T14CA2J19 motor now is P/N151192.)

****Starter Required:**

**TEFC 1/4 HP, 208/230/480/3 phase - Replacement Motor P/N 271443 requires a starter; consult the factory providing wiring diagram or serial number to determine appropriate starter and overload.

**TEFC 1 HP, 208/230/480/3 phase - Replacement Motor P/N 271444 requires a starter; consult the factory providing wiring diagram or serial number to determine appropriate starter and overload.

**TEFC 1.5 HP, 208/230/480/3 phase - Replacement Motor P/N 271445 requires a starter; consult the factory providing wiring diagram or serial number to determine appropriate starter and overload.

Drives (Open Motor) - CODE 35 - Motor Pulley, CODE 36 - Blower Pulley, CODE 37 - Belt

OPEN MOTOR HP	Motor Option AL	Voltage Option AK	Drive		Motor Pulley			Blower Pulley			Average Belt Links and Type*
			Option AM / EM		P/N	Model	Bore	P/N	Model	Bore	
1/4, 1/3	2, 3	AK1, AK2, AK3, AK5, AK6, AK7	1, 2		4074	1VL34	1/2	111609	AK 99	1	"A-section" 3.8 ft
			3, 4		13491	1VL40	1/2	111609	AK 99	1	"A-section" 3.8 ft
			5, 6, 7		13491	1VL40	1/2	19111	AK 84	1	"A-section" 3.8 ft
			8, 9, 10, 11, 12		13491	1VL40	1/2	18797	AK 64	1	"A-section" 3.8 ft
			13, 14, 15, 16, 17		13491	1VL40	1/2	135200	AK 51	1	"A-section" 3.8 ft
1/2, 3/4, 1, 1-1/2	4, 5, 6, 7	AK1, AK2, AK3, AK5, AK6, AK7 AK8	1, 2		13580	1VL34	5/8	111609	AK 99	1	"A-section" 3.8 ft
			3, 4		7962	1VL40	5/8	111609	AK 99	1	"A-section" 3.8 ft
			5, 6, 7		7962	1VL40	5/8	19111	AK 84	1	"A-section" 3.8 ft
			8, 9, 10, 11, 12		7962	1VL40	5/8	18797	AK 64	1	"A-section" 3.8 ft
			13, 14, 15, 16, 17		7962	1VL40	5/8	135200	AK 51	1	"A-section" 3.8 ft
			18, 19, 20, 21, 22, 23, 24, 25		105476	1VL44	5/8	206125	AK 44	1	"A-section" 3.8 ft
26, 27, 28, 29		105476	1VL44	5/8	135201	AK 39	1	"A-section" 3.8 ft			
2	8	AK1, AK2, AK3, AK8	1, 2		13580	1VL34	5/8	111609	AK 99	1	"A-section" 3.8 ft
			3, 4		7962	1VL40	5/8	111609	AK 99	1	"A-section" 3.8 ft
			5, 6, 7		7962	1VL40	5/8	19111	AK 84	1	"A-section" 3.8 ft
			8, 9, 10, 11, 12		7962	1VL40	5/8	18797	AK 64	1	"A-section" 3.8 ft
			13, 14, 15, 16, 17		7962	1VL40	5/8	135200	AK 51	1	"A-section" 3.8 ft
			18, 19, 20, 21, 22, 23, 24, 25		105476	1VL44	5/8	206125	AK 44	1	"A-section" 3.8 ft
			26, 27, 28, 29, 30		105476	1VL44	5/8	135201	AK 39	1	"A-section" 3.8 ft
3	9	AK2, AK3	9, 10, 11, 12		7962	1VL40	5/8	202652	AK124	1	"A-section" 3.8 ft
			13, 14, 15, 16, 17, 18, 19		7962	1VL40	5/8	202653	AK94	1	"A-section" 3.8 ft
			20, 21, 22, 23, 24, 25, 26		7962	1VL40	5/8	10583	AK69	1	"A-section" 3.8 ft
2	8	AK5, AK6, AK7	1, 2		110125	1VP34	7/8	111609	AK 99	1	"A-section" 3.8 ft
			3, 4		106748	1VL40	7/8	111609	AK 99	1	"A-section" 3.8 ft
			5, 6, 7		106748	1VL40	7/8	19111	AK 84	1	"A-section" 3.8 ft
			8, 9, 10, 11, 12		106748	1VL40	7/8	18797	AK 64	1	"A-section" 3.8 ft
			13, 14, 15, 16, 17		106748	1VL40	7/8	135200	AK 51	1	"A-section" 3.8 ft
			18, 19, 20, 21, 22, 23, 24, 25		106758	1VL44	7/8	206125	AK44	1	"A-section" 3.8 ft
26, 27, 28, 29, 30		106758	1VL44	7/8	135201	AK39	1	"A-section" 3.8 ft			
3, 5	9, 10	AK5, AK6, AK7, AK8	9, 10, 11, 12		106748	1VL40	7/8	101414	BK130	1	"B-section" 3.8 ft
			13, 14, 15, 16, 17		106748	1VL40	7/8	202654	BK105	1	"B-section" 3.8 ft
			18, 19, 20, 21, 22		37451	1VM50	7/8	16153	AK104	1	"A-section" 3.8 ft
			23, 24, 25, 26, 27, 28, 29		37451	1VM50	7/8	19111	AK84	1	"A-section" 3.8 ft
			30, 31, 32, 33, 34, 35, 36		37451	1VM50	7/8	105483	AK69	1	"A-section" 3.8 ft
5	10	AK2, AK3	9, 10, 11, 12		7963	2VP42	1-1/8	30621	2AK124	1	"A-section" 7.6 ft
			13, 14, 15, 16, 17		111681	1VP50	1-1/8	202652	AK124	1	"A-section" 3.8 ft
			18, 19, 20, 21, 22		161444	1VP56	1-1/8	202652	AK124	1	"A-section" 3.8 ft
			23, 24, 25, 26, 27, 28, 29		111681	1VP50	1-1/8	19111	AK84	1	"A-section" 3.8 ft
30, 31, 32, 33, 34, 35, 36		111681	1V950	1-1/8	105483	AK69	1	"A-section" 3.8 ft			

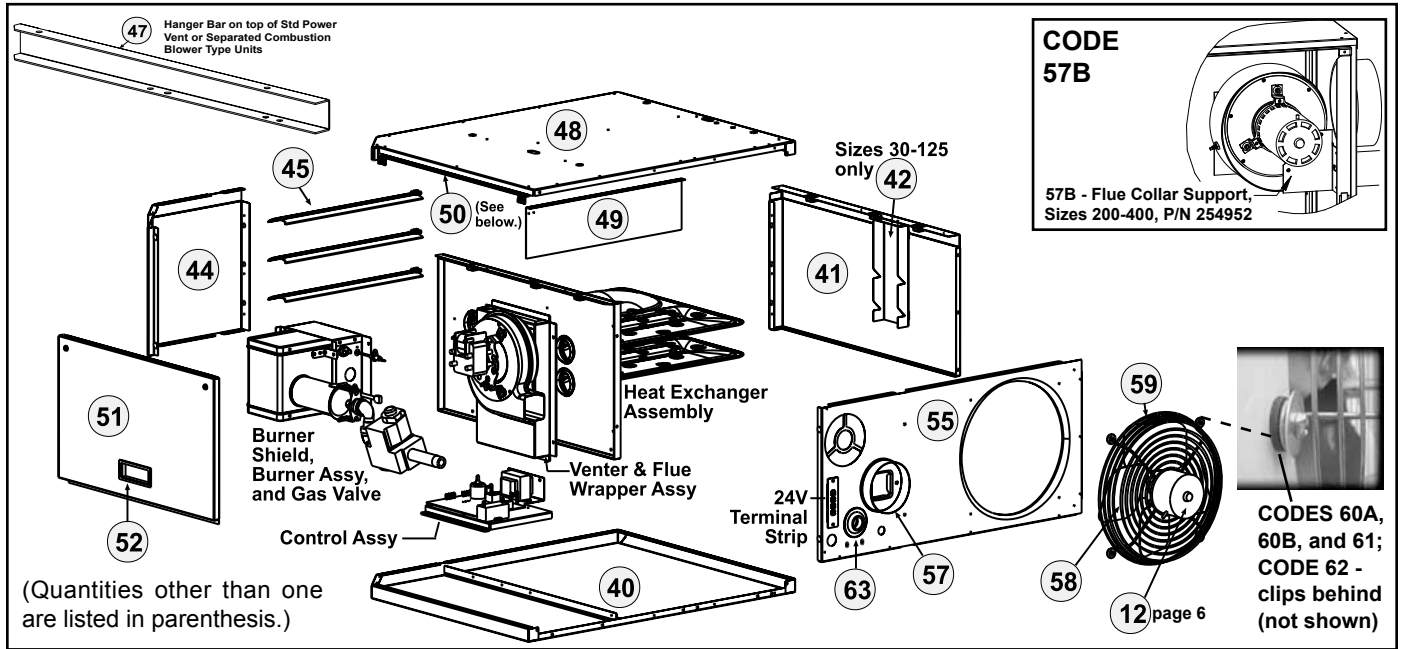
* Assume 17 belt links per foot. Code 37, "A" Belt link, P/N 201809, Fenner #0408030; "B" Belt link, P/N 202655, Fenner #0408050.

Drives (TEFC Motor) - CODE 35 - Motor Pulley, CODE 36 - Blower Pulley, CODE 37 - Belt (cont'd)

TEFC MOTOR	Motor	Voltage	Drive	Motor Pulley			Blower Pulley			Average Belt Links and Type*
HP	Option AL	Option AK	Option AM	P/N	Model	Bore	P/N	Model	Bore	
1/3	20	AK1, AK2, AK3, AK5, AK6, AK7	1, 2	4074	1VL34	1/2	111609	AK 99	1	"A-section" 3.8 ft
			3, 4	13491	1VL40	1/2	111609	AK 99	1	"A-section" 3.8 ft
			5, 6, 7	13491	1VL40	1/2	19111	AK 84	1	"A-section" 3.8 ft
			8, 9, 10, 11, 12	13491	1VL40	1/2	18797	AK 64	1	"A-section" 3.8 ft
			13, 14, 15, 16, 17	13491	1VL40	1/2	135200	AK 51	1	"A-section" 3.8 ft
1/4	19	AK1, K2, AK3, AK5, AK6, AK7	1, 2	13580	1VL34	5/8	111609	AK 99	1	"A-section" 3.8 ft
			3, 4	7962	1VL40	5/8	111609	AK 99	1	"A-section" 3.8 ft
			5, 6, 7	7962	1VL40	5/8	19111	AK 84	1	"A-section" 3.8 ft
			8, 9, 10, 11, 12	7962	1VL40	5/8	18797	AK 64	1	"A-section" 3.8 ft
			13, 14, 15, 16, 17	7962	1VL40	5/8	135200	AK 51	1	"A-section" 3.8 ft
			18, 19, 20, 21, 22, 23, 24, 25	105476	1VL44	5/8	206125	AK44	1	"A-section" 3.8 ft
1/2, 3/4, 1	21, 22, 23	AK1, AK2, AK3, AK5, AK6, AK7, AK8	1, 2	13580	1VL34	5/8	111609	AK 99	1	"A-section" 3.8 ft
			3, 4	7962	1VL40	5/8	111609	AK 99	1	"A-section" 3.8 ft
			5, 6, 7	7962	1VL40	5/8	19111	AK 84	1	"A-section" 3.8 ft
			8, 9, 10, 11, 12	7962	1VL40	5/8	18797	AK 64	1	"A-section" 3.8 ft
			13, 14, 15, 16, 17	7962	1VL40	5/8	135200	AK 51	1	"A-section" 3.8 ft
1-1/2	24	AK1, AK2, AK3, AK5, AK6, AK7	1, 2	13580	1VL34	5/8	111609	AK 99	1	"A-section" 3.8 ft
			3, 4	7962	1VL40	5/8	111609	AK 99	1	"A-section" 3.8 ft
			5, 6, 7	7962	1VL40	5/8	19111	AK 84	1	"A-section" 3.8 ft
			8, 9, 10, 11, 12	7962	1VL40	5/8	18797	AK 64	1	"A-section" 3.8 ft
			13, 14, 15, 16, 17	7962	1VL40	5/8	135200	AK 51	1	"A-section" 3.8 ft
			18, 19, 20, 21, 22, 23, 24, 25	105476	1VL44	5/8	206125	AK44	1	"A-section" 3.8 ft
1-1/2	24	AK8	1, 2	110125	1VP34	7/8	111609	AK 99	1	"A-section" 3.8 ft
			3, 4	106748	1VL40	7/8	111609	AK 99	1	"A-section" 3.8 ft
			5, 6, 7	106748	1VL40	7/8	19111	AK 84	1	"A-section" 3.8 ft
			8, 9, 10, 11, 12	106748	1VL40	7/8	18797	AK 64	1	"A-section" 3.8 ft
			13, 14, 15, 16, 17	106748	1VL40	7/8	135200	AK 51	1	"A-section" 3.8 ft
			18, 19, 20, 21, 22, 23, 24, 25	106758	1VL44	7/8	206125	AK44	1	"A-section" 3.8 ft
2	25	AK5, AK6, AK7, AK8	1, 2	110125	1VP34	7/8	111609	AK 99	1	"A-section" 3.8 ft
			3, 4	106748	1VL40	7/8	111609	AK 99	1	"A-section" 3.8 ft
			5, 6, 7	106748	1VL40	7/8	19111	AK 84	1	"A-section" 3.8 ft
			8, 9, 10, 11, 12	106748	1VL40	7/8	18797	AK 64	1	"A-section" 3.8 ft
			13, 14, 15, 16, 17	106748	1VL40	7/8	135200	AK 51	1	"A-section" 3.8 ft
			18, 19, 20, 21, 22, 23, 24, 25	106758	1VL44	7/8	206125	AK44	1	"A-section" 3.8 ft
3	26	AK5, AK6, AK7, AK8	9, 10, 11, 12	106748	1VL40	7/8	101414	BK130	1	"B-section" 3.8 ft
			13, 14, 15, 16, 17	106748	1VL40	7/8	202654	BK105	1	"B-section" 3.8 ft
			18, 19, 20, 21, 22	37451	1VM50	7/8	16153	AK104	1	"A-section" 3.8 ft
			23, 24, 25, 26, 27, 28, 29	37451	1VM50	7/8	19111	AK84	1	"A-section" 3.8 ft
			30, 31, 32, 33, 34, 35, 36	37451	1VM50	7/8	105483	AK69	1	"A-section" 3.8 ft
3	26	AK1, AK2	9, 10, 11, 12	7963	2VP42	1-1/8	30621	2AK124	1	"A-section" 7.6 ft
			13, 14, 15, 16, 17	111681	1VP50	1-1/8	202652	AK124	1	"A-section" 3.8 ft
			18, 19, 20, 21, 22	161444	1VP56	1-1/8	202652	AK124	1	"A-section" 3.8 ft
			23, 24, 25, 26, 27, 28, 29	111681	1VP50	1-1/8	19111	AK84	1	"A-section" 3.8 ft
			30, 31, 32, 33, 34, 35, 36	111681	1VP50	1-1/8	105483	AK69	1	"A-section" 3.8 ft
5	27	AK3, AK5, AK6, AK7, AK8	9, 10, 11, 12	7963	2VP42	1-1/8	30621	2AK124	1	"A-section" 7.6 ft
			13, 14, 15, 16, 17	111681	1VP50	1-1/8	202652	AK124	1	"A-section" 3.8 ft
			18, 19, 20, 21, 22	161444	1VP56	1-1/8	202652	AK124	1	"A-section" 3.8 ft
			23, 24, 25, 26, 27, 28, 29	111681	1VP50	1-1/8	19111	AK84	1	"A-section" 3.8 ft
			30, 31, 32, 33, 34, 35, 36	111681	1VP50	1-1/8	105483	AK69	1	"A-section" 3.8 ft

* Assume 17 belt links per foot. Code 37, "A" Belt link, P/N 201809, Fenner #0408030; "B" Belt link, P/N 202655, Fenner #0408050.

Cabinet Parts UDAP Part No
(APD Part No)

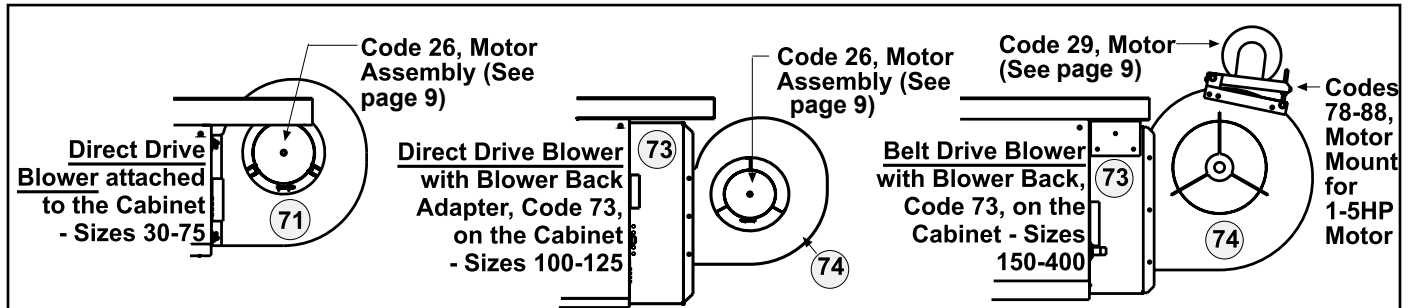


Code	Description	Model	Size																					
			30	45	60	75	100	125	150	175	200	225	250	300	350	400								
40	Bottom Pan Assembly	All	195772 (1000039)						196025 (1000042)						196350 (1000043)									
41	Left Side Panel	All	195492 ** (1000003)		195493 ** (1000004)		195494 ** (1000005)		195562 (1000020)			195563 (1000021)			195564 (1000022)									
42	Heat Exchanger Support	All	196317**	196318**	196319**	196320**	196321**	196322**	The heat exchanger support and support gaskets for Sizes 150-400 are part of the replacement heat exchanger; see page 19															
43A	Heat Exchanger Support Gasket	All	(2) 236155																					
43B	Sheet Metal Screw #8 - 18 x 3/8	All	195638																					
44	Front Panel (if replacing on unit mfgd prior to 4/2010, requires top panel, Code 48.)	Std Power Vent & Separated Combustion Fan Type Heaters	195489* (1000010)		195490* (1000011)		195491* (1000012)		201692 (1000044)			201693 (1000045)			201694 (1000046)									
		Std Power Vent & Separated Combustion Blower Type Heaters	201755		201756		201757		201692 (1000044)			201693 (1000045)			201694 (1000046)									
45A	Horizontal Louver	All	(3) 195314 (1000040)		(4) 195314 (1000040)		(6) 195314 (1000040)		(5) 195578 (1000041)			(7) 195578 (1000041)			(10) 195578 (1000041)									
45B	Compression Spring for Louvers	All	(3) 195046		(4) 195046		(6) 195046		(5) 195046			(7) 195046			(10) 195046									
46	Hanger Bar	Right	Std Power Vent & Separated Combustion Blower Type Heaters				202744		202746	202748	202750	202752			202754	202756	202758							
		Left	Std Power Vent & Separated Combustion Blower Type Heaters				202743		202745	202747	202749	202751			202753	202755	202757							
47	Clip Nut (for hanging)	All	(2) 196336																					
48	Top Panel (effective 4/2010, includes Code 50; replacing on unit mfgd prior to 4/2010 requires new Code 44.)	(Top Panel Captive Nuts, P/N 195633)	Std Power Vent & Separated Combustion Fan Type Heaters						195498 * and ** (1000009)						195556 (1000027)				195557 (1000029)					
			Std Power Vent & Separated Combustion Blower Type Heaters						201406 **						202944				195557					
49	Top Air Baffle	Std Power Vent & Separated Combustion Fan Type Heaters	195545	195546	195547	195548	195549	195550	--	--	--	--	--	--	--	--	--							
		Std Power Vent & Separated Combustion Blower Type Heaters	--	--	--	--	--	--	202945	202946		--	--	--	--	--	--							
50	Top Door Seal	UDAP, UDAS, UDBP, UDBS	195999 (beginning 4/2010, part of top panel, Code 48)						196225 (beginning 4/2010, part of top panel, Code 48)															
51A	Access Door (door only without handle and gskts)	Std Power Vent Fan & Blower Type Heaters	195483 (1000013)		195484 (1000014)		195485 (1000015)		195565 (1000033)			195566 (1000034)			195567 (1000035)									
		Separated Combustion Fan & Blower Type Heaters	207604		207605		207606		207607			207608			207609									
51B	Window Plug	Separated Combustion Fan & Blower Type Heaters	207525																					

Cabinet Parts (cont'd) UDAP Part No (APD Part No)

Code	Description	Model	Size													
			30	45	60	75	100	125	150	175	200	225	250	300	350	400
52	Door Handle	UDAP, UDAS, UDBP, UDBS	196881													
53	Door Rubber	Std Power Vent Fan & Blower Type Heaters	(4) 155064													
54	Door Gaskets	Top/Btm	(2) 196331						(2) 201673							
		Side	(2) 196332	(2) 196333	(2) 196334	(2) 201674			(2) 201675		(2) 201676					
55	Rear Panel - Separated Combustion Fan Type Heater and Separated Combustion Blower Type Heater include inlet collar. (Std Power Vent Fan Model Type Heater is illustrated.)	Std Power Vent Fan Type Heater	195486 (1000006)	195487 (1000007)	195488 (1000008)	196347 (1000023)	195558 (1000024)	195559 (1000025)	195560 (1000026)							
		Separated Combustion Fan Type Heater	197035	197036	197037*	197038	197039	197040	197041							
		Std Power Vent Blower Type Heater	201399	201400	196346	201789	201790	201791	201792							
		Separated Combustion Blower Type Heater	201383	201384	201385	202319	202320	202321	202322							
56	Outlet Collar Gasket	All	170048						196822							
57A	Outlet Collar (attaches with screws)	Std Power Vent Fan Type Heater w/std vent & Std Power Vent Blower Type Heaters	195077, 4"				195079, 5"		216950, 5"			216951, 6"				
		Std Power Vent Fan Type Heater-CV w/Opt AV6	195077, 4"		195079, 5"	--	--	--	--	--	--	--	--			
		Separated Combustion Fan & Blower Type Heaters	195077, 4"				195079, 5"		216950, 5"			216951, 6"				
57B	Flue (Outlet) Collar Support		--	--	--	--	--	--	--	254952 (See Cabinet Parts illustration top right corner page 13)						
58	Fan Blade (See motor shaft spacing on page 6.)	Std Power Vent & Separated Combustion Fan Type Heaters	195644	195645	195646	195647	195648	195649	195678, Revcor 18, 3-22	195679, Revcor 18, 3-29	195680, Revcor 18, 3-32	195681, Revcor 20, 3-27	195682, Revcor 20, 3-30	195683, Revcor 24, 3-20	209122, Lau 61206801 (replaces 195684)	209121, Lau 61204001 (replaces 195685)
	Std Power Vent Fan Type Heater-45 Low Noise, Opt AL2B	N/A	202960	N/A												
59	Fan Guard - std spacing	Std Power Vent & Separated Combustion Fan Type Heaters	175266		175267		195047		170084			170085		170086		
	Fan Guard (AZ8) - fingerproof		260873		260874		260875		--			--		--		
60A	Fan Guard Isolator Bushing	Std Power Vent & Separated Combustion Fan Type Heaters	(4) 196349						(4) 96451							
60B	Screws for Codes 60A & 61		(4) 196330						(4) 96452							
61	Fan Guard Isolator		(4) 196348													
62	Fan Guard Clips (in back)		(4) 54633													
63	Grommet for Pipe	Separated Combustion Fan & Blower Type Heaters	102607						15021							
64	Cabinet Touchup Paint	All	201805, 11oz spray can, white													
65	Horizontal Louver Paint		207432, 12 oz aerosol can, maroon													
* Parts changed effective 3/18/03. Not interchangeable with previously manufactured parts with same P/N.																
** Parts changed effective 4/12. Not interchangeable with previously manufactured parts with same P/N.																

Blower Backs and Blowers for Std Power Vent & Separated Combustion Blower Type Units



Code	Description	Size													
		30	45	60	75	100	125	150	175	200	225	250	300	350	400
70	Restrictor Assembly	201408	-	-	-	-	-	-	-	-	-	-	-	-	-
70A	Restrictor	194512	-	-	-	-	-	-	-	-	-	-	-	-	-
70B	Restrictor Angle	(3) 100892	-	-	-	-	-	-	-	-	-	-	-	-	-
70C	Sheetmetal Screw	(3) 195638	-	-	-	-	-	-	-	-	-	-	-	-	-
71	Blower Assembly	201401													
71A	Blower 9 X 6	82111													
71B	Blower Mounting Angle	(2) 201740													
71C	#10 x 1/2" Long Tekes	(6) 37661													
72	Blower Back Corner Post	-	-	-	-	196239	201797	201798	201799						
73	Blower Adapter Back Assy	-	-	-	-	201403	202931	201800	201801	201802					
73A	Adapter Back Bottom	-	-	-	-	202050	202050	201718	201719	201720					
73B	Adapter Back Top	-	-	-	-	196032	196032	201715	201716	201717					
73C	Adapter Back Left Side	-	-	-	-	197253	197253	201724	201725	201726					
73D	Adapter Back Right Side	-	-	-	-	197254	197254	201721	201722	201723					
73E	Screw	-	-	-	-	(20) 195638	(34) 195638	(26) 195638	(34) 195638						
73F	Air Baffle Horizontal	-	-	-	-	(2) 196344	202934	(2) 202932	-	-	(2) 202933				
73G	Air Baffle Vertical	-	-	-	-	196345	196345	-	-	-	-	-	-	-	
73H	Hanger Support Bracket Left	-	-	-	-	-	-	202759							
73I	Hanger Support Bracket Right	-	-	-	-	-	-	202760							
73J	Bolt 1/4" X 5/8" (Hanger Support Bracket to Adapter Back)	-	-	-	-	-	-	(6) 47252							
73K	Nut 1/4" - 20	-	-	-	-	-	-	(6) 7328							
74	Blower	See CODE 71.				201770, 10x10		1360, 12x12		100658, 15x11		100659, 15x15			
75A	Key, 1/4" square x 1-1/4" long	-	-	-	-	-	-	16099							
75B	Blower Shaft	-	-	-	-	-	-	11303, 1 x 22				100747, 1 x 23			
75C	Blower Bearings	-	-	-	-	-	-	10437, SRC-16-1-1"							

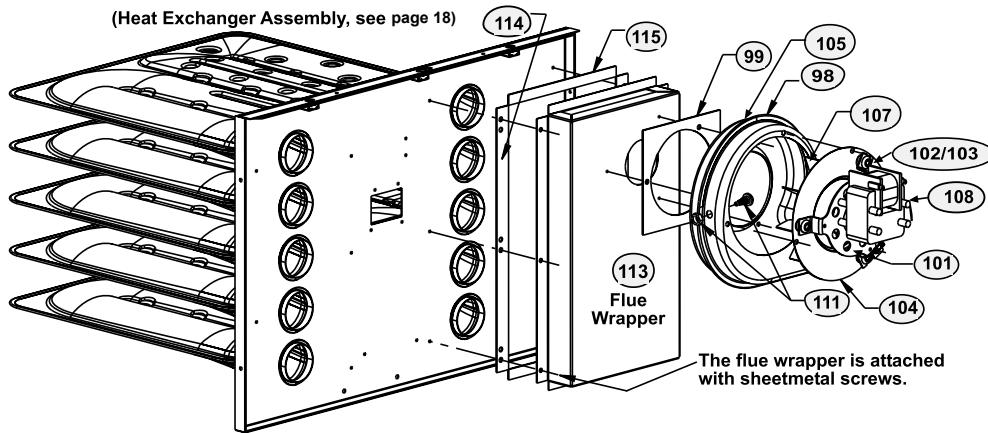
Blower Motor Mounting Components

Motor Mounting 1/4 - 3/4 HP Motor		150-250
76	Motor Adjustment Bracket Assembly	193996
76A	Motor Adjustment Bracket	12575
76B	5/16-18 Spotweld Nut	(2) 16233
76C	Hex Head Motor Adjustment, Bolt, 5/16-18 x 4" lg	(2) 14668
76D	5/16-18 Hex Nut	(2) 1035
76E	1/4-20 x 3/4" long Hex Head, Cap Screw	(2) 16246
76F	1/4-20 Hex Nut (Kep)	(2) 10650
76G	1/4" Flat Washer	(4) 1320
77	Hardware Bag for CODE 76	64940

Motor Mounting 1-5 HP Motor		175-200	225-250	300-400
78	Motor Mounting Plate for 1HP - 5HP	202839	202840	202841
79	Motor Mounting Plate Left Support	12576		
80	Motor Mounting Plate Right Support	12577		
81	Rod Bolt 5/16-18	(2) 12489		
82	Hex Nut 5/16-18	(2) 1035		
83	Hex Nut 5/16-18 (Keps)	(6) 6554		
84	Flat Washer 5/16"	(8) 1087		
85	5/16-18x3/4" lg Hex Head Cap Screw	(6) 16247		
86	5/16-18x1-1/2" lg Hex Head Cap Screw	(2) 16248		
87	5/16"-18 Threaded Insert #ATS2-518	(4) 124260		
88	#10-16 x 1/2" long Tekes	(4) 37661		

Venter and Flue Wrapper Components

(Heat Exchanger Assembly, see page 18)



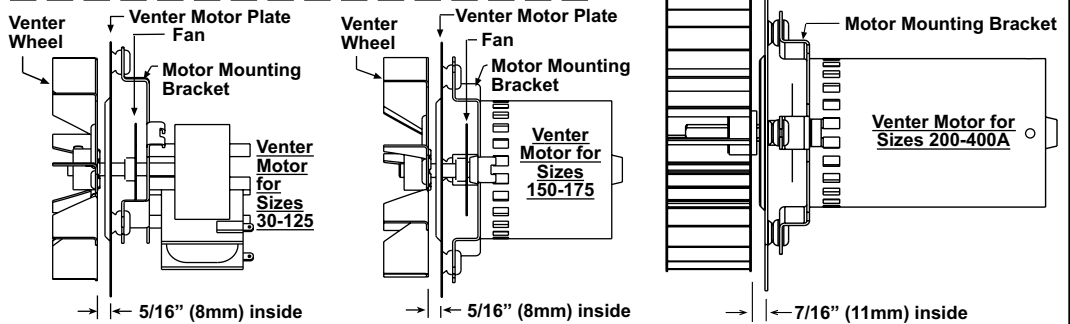
The flue wrapper is attached with sheetmetal screws.

CODE 109 - Venter Motor Capacitor



See P/N's below and location on page 4.

CODE 100 - Venter Motor and Wheel Assemblies showing Components and Spacing

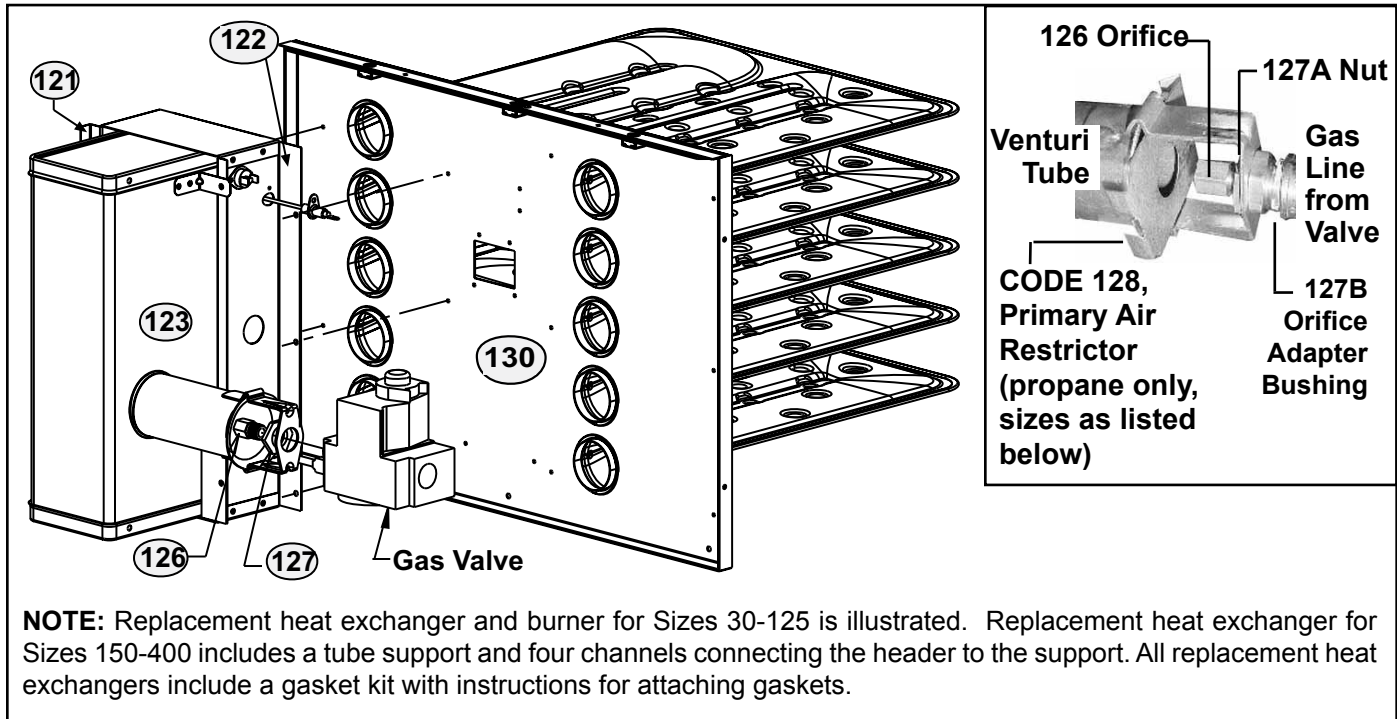


Code	Description	Model	Size														
			30	45	60	75	100	125	150	175	200	225	250	300	350	400	
98	Venter Housing	All	196248						195634 prior to 7/23/09; 257029 after 7/23/09								
99	Venter Housing Gasket	All	196012						196013 prior to 7/23/09; 254935 after 7/23/09								
100	Venter Motor and Wheel Assy NOTE: 460V & 575V supply use 115V vnter motor.	115V All (not w/AV6)	220779			220780			220782			220784			220786		
		208/230V/1ph Std Power Vent & Separated Combustion Fan Type Heaters	220781						220783			220785			220787		
		208/230V/3ph Std Power Vent & Separated Combustion Blower Type Heaters	N/A						220783			220785			220787		
NOTE: CODE 100 includes Codes 101, 102, 103A, 103B, 104, 106A, 106B, 107, 108A or B, and 110																	
101	Venter Motor Bracket	All	195072 **			--			--			195072 **					
102	Venter Motor Isolator								(3) 194534								
103A	Venter Motor Isolator Bushing								(3) 194803								
103B	Venter Motor Isolator Bushing Screw								(3) 113275								
104	Venter Motor Plate								194806			194910					
105	Venter Motor Plate Gasket								201472								
106A	Venter Motor Clip		Not Required														
106B	Venter Motor Clip Screw	Not Required															
107	Venter Wheel	All Models except Std Power Vent Fan Type Heater with CV Std Power Vent Fan Type Heater w/AV6 opt (common vent)	195036						195666								
		115V All	211819			--			--			--			--		
108A	Venter Motor only NOTE: 460V and 575V supply use 115V venter motor.	115V w/AV6 Std Power Vent Fan Type Heater	175273			262444 *			196036			236158			236159		
		115V Std Power Vent Fan Type Heater	217032			262444*			--			--			--		
		208/230V/1ph Std Power Vent & Separated Combustion Fan Type Heaters	236160 (replaces 196827)			236161 (replaces 196828)			236162 (replaces 196829)			236163 (replaces 196830)					
		208/230V/3ph Std Power Vent & Separated Combustion Blower Type Heaters	N/A			236161 (replaces 196828)			236162 (replaces 196829)			236163 (replaces 196830)					
108B	Vnter Mtr w/Opt D10&14 DDC Cntrl	115V Std Power Vent & Separated Combustion Fan Type Heaters	N/A			207992; 196036			208194		236158		236159		207892		
		208/230V/1ph Std Power Vent & Separated Combustion Fan Type Heaters	N/A			236161 (replaces 196828)			236162 (replaces 196829)		236163 (replaces 196830)						

Venter and Flue Wrapper Components (cont'd)

Code	Description	Model	Size															
			30	45	60	75	100	125	150	175	200	225	250	300	350	400		
109A	Vntr Motor Capacitor (in control compartment; see page 4)	115V	All	--	--	--	--	--	--	--	195641, 4MFD, 400 VAC, #MB40040EB	195643, 7.5MFD, 400 VAC, #MB40075EB	195642, 5MFD, 400VAC, #MB40050EB					
	NOTE: 460V and 575V supply use 115V venter motor.	208-230V/1ph	Std Power Vent & Separated Combustion Fan Type Heaters	--	--	--	--	--	--	--	--	195641, 4MFD, 400 VAC, #MB40040EB	195642, 5MFD, 400VAC, #MB40050EB	195641, 4MFD, 400 VAC, #MB40040EB				
208-230V/3ph		Std Power Vent & Separated Combustion Blower Type Heaters	N/A															
109B	Vntr Mtr Capacitor w/ Opt D10&14 DDC	115V	Std Power Vent & Separated Combustion Fan Type Heaters	N/A							195642	195641	195643	195642	195643			
		208/230V/1ph	Std Power Vent & Separated Combustion Fan Type Heaters	N/A							195641	195641	195642	195642	195641			
110	Venter Motor Cooling Fan	All	195766								196035							
111	Static Pressure Tap	All	116043															
112	Silicone Rubber Tubing	All	148986, 6" long							148251, 12"			205837, 16"	130673, 20"		157904, 22"		
113	Flue Wrapper Assy - Sizes 200-400 manufactured prior to 7/23/09	Std Power Vent Fan Typ Heater & Std Power Vent Blower Type Heater	196000	196001	196002	196003	196004	196005	201473	204461	201475	201476	201477	201478	201481	202721		
		Std Power Vent Fan Type Heater with Option AV6	196802	196803	196804	196805	196806	--	--	--	--	--	--	--	--	--		
		Separated Combustion Fan Type Heater	196807	196808	196809	196810	196811	196812	201473	204461	201475	201476	201477	201478	201481	202721		
		Separated Combustion Blower Type Heater	202715	202716	202717	202718	202719	196812	201473	204461	201475	201476	201477	201478	201481	202721		
	Flue Wrapper Assy - Sizes 200-400 manufactured after 7/23/09	Std Power Vent Fan Typ Heater & Std Power Vent Blower Type Heater	Same as P/N's listed above for Sizes 30-175.									254944	254945	254946	254947	254948	254949	
		Std Power Vent Fan Type Heater with Option AV6	Same as P/N's listed above for Sizes 30-175.									--	--	--	--	--	--	
		Separated Combustion Fan Type Heater	Same as P/N's listed above for Sizes 30-175.									254944	254945	254946	254947	254948	254949	
		Separated Combustion Blower Type Heater	Same as P/N's listed above for Sizes 30-175.									254944	254945	254946	254947	254948	254949	
114	Side Flue Wrapper Gasket	All - qty (2)	170029	170030	170031	170033	170034	170035	170042	170043	170044	170036	170037					
115	Top/Btm Flue Wrapper Gasket	All Qty (2)	170038						170039									
<p>* When replacing a McMillan motor, P/N 256091, order replacement kit P/N 262444 plus Item Codes 102, 103A, 103B, and (4) 106B. ** Not needed with 236160 thru 236163 venter motors.</p>																		

Heat Exchanger and Burner Assemblies



Burner Assembly (Quantities other than one are listed in parenthesis.)

Code	Description	Model	Size													
			30	45	60	75	100	125	150	175	200	225	250	300	350	400
121	Burner Shield Front Side	Std Power Vent & Separated Combustion Fan Type Heaters				222103									222112	
		Std Power Vent & Separated Combustion Blower Type Heaters	222100	222101	222102	222104	222105	222106	222107	222108	222109	222110	222111		222112	222113
122	Burner Shield Rear Side	Std Power Vent & Separated Combustion Fan Type Heaters	222127	222128	222129	222130	222131	222132							222139	
		Std Power Vent & Separated Combustion Blower Type Heaters	222147	222148	222149	222150	222151	222152	222133	222134	222136	222137	222138		222139	222140
123	Burner Assembly	Std Power Vent & Separated Combustion Fan Type Heaters	195231	195232	195233	195234	195235	195236	195237	195238	195239	195240	195241	195242	195243	
		Std Power Vent & Separated Combustion Blower Type Heaters	195231	195232	195233	202642	195235	195236	195237	195238	195239	195240	195241	195242	195243	
123A	Burner End Gaskets	All	(2) 195667						(2) 195668							
124	Burner Baffle	Std Power Vent & Separated Combustion Fan Type Heaters	--	--	--	--	(2) 196750							(2) 197238	(2) 197239	--
		Std Power Vent & Separated Combustion Blower Type Heaters	--	--	(2) 196749	(2) 202682 (2) 202683 (2) 202684	(2) 196750	(2) 196751	--						(2) 197238	(2) 197239
125	Burner Support	All	(3) 196597 196752	(4) 196597			(6) 196597		(4) 196598			(6) 196598				
126	Burner Orifice	Natural Gas	196853 #37	196838 #30	196839 3.7MM	196855 #19	120158 #10	196840 #4	131581 5.9MM	196891 E	196892 6.8MM	221121 6.95MM	208255 L	221122 8.0MM	221123 8.7MM	196897 9.6MM
		Propane	196844 1.6MM	196845 #48	196846 2.3MM	196852 #39	196854 3.0MM	196847 3.2MM	196898 9/64"	196899 #24	196900 4.1MM	196901 11/64"	196902 #14	196903 #8	196904 #3	196905 5.8MM
127A	1/2" Pipe Nut		165702													
127B	Orifice Adapter Bushing		165701, 1/2x1/4						194809, 3/4x3/8							

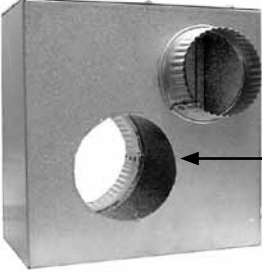

Heat Exchanger and Burner Assemblies (cont'd)

Code	Description	Model	Size														
			30	45	60	75	100	125	150	175	200	225	250	300	350	400	
128	Primary Air Restrictor	Propane only	Std Power Vent & Separated Combustion Fan Type Heaters	196687			196688			--	196688	--	--	--	--	--	--
			Std Power Vent & Separated Combustion Blower Type Heaters	203078			202051			196688			--	--	--	--	--
129	Gas Conversion Kits	Natural to Propane	Std Power Vent & Separated Combustion Fan Type Heaters	269835			269836			269837	269838	269839			201732		
			Std Power Vent & Separated Combustion Blower Type Heaters	269840			269841					269839			201732		
		Propane to Natural	All	269851			269852			269853	269854	269855			201738		

Heat Exchanger Assembly (Quantities other than one are listed in parenthesis.)


Code	Description		Size															
			30	45	60	75	100	125	150	175	200	225	250	300	350	400		
130	Heat Exchanger Assembly with Gasket Kit	Std Power Vent & Separated Combustion Fan Type Unit Heaters	Aluminized	201628	201629	201630	201631	201632	201633	201634	201635	201636	201637	201638	201639	201640		
			409 SS	201654	201655	201656	201657	201658	201659	201660	201661	201662	201663	201664	201665	201666		
			316 SS	201641	201642	201643	201644	201645	201646	201647	201648	201649	201650	201651	201652	201653		
		Std Power Vent & Separated Combustion Blower Type Unit Heaters	Aluminized	202623	202624	202625	202626	202627	202628	201634	201635	201636	201637	201638	201639	201640		
			409 SS	202629	202630	202631	202632	202633	202634	201660	201661	201662	201663	201664	201665	201666		
			316 SS	202635	202636	202637	202638	202639	202640	201647	201648	201649	201650	201651	201652	201653		
130A	Gasket Kit for Heat Exchanger		201667			201668			201669			201670			201671	221214	201672	

Venting and Combustion Air Kits - Separated Combustion Fan & Blower Type Models

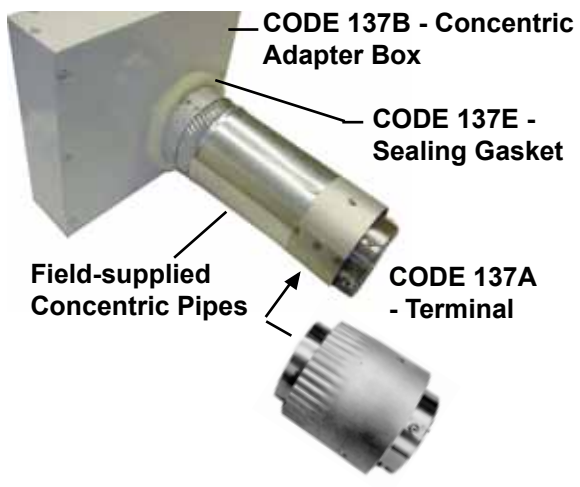


CODES 135A and 136A - Concentric Adapter Box Assembly	<u>View of Heater Connection Side</u>	<u>View of Vent Terminal Connection Side</u>
		
	<p>Collar for attaching the combustion air pipe from the heater</p> <p>Opening for the vent pipe. The vent pipe extends from the terminal, through the outside air pipe, through the box, and connects to the vent run.</p>	<p>Collar for attaching the outside portion of the combustion air pipe (the vent pipe runs concentric through the outside portion of the combustion air pipe)</p>

CODE 135B - Exhaust Terminal (Vertical Kit) 	CODE 135C - Combustion Air Inlet (Vertical Kit) 	CODE 136B - Exhaust Grill (Horizontal Kit) 	CODE 136C - Inlet Guard (Horizontal Kit) 
---	---	---	--

CODE 135 - Vertical Vent Terminal/Combustion Air Package (Same as Option CC2) includes: <table border="1" style="width:100%; border-collapse: collapse; margin-top: 5px;"> <thead> <tr> <th>Code</th> <th>Qty</th> <th>Size</th> <th>P/N</th> <th>Description</th> </tr> </thead> <tbody> <tr> <td rowspan="2">135</td> <td rowspan="2">1</td> <td>30-125</td> <td>205895</td> <td rowspan="2">Complete Vertical Vent Kit (Same as Option CC2)</td> </tr> <tr> <td>150-400</td> <td>205896</td> </tr> <tr> <td rowspan="2">135A</td> <td rowspan="2">1</td> <td>30-125</td> <td>205884</td> <td rowspan="2">Concentric Adapter Box Assembly</td> </tr> <tr> <td>150-400</td> <td>205885</td> </tr> <tr> <td rowspan="2">135B</td> <td rowspan="2">1</td> <td>30-125</td> <td>110051</td> <td rowspan="2">Exhaust (Vent) Terminal</td> </tr> <tr> <td>150-400</td> <td>110052</td> </tr> <tr> <td rowspan="2">135C</td> <td rowspan="2">1</td> <td>30-125</td> <td>155635</td> <td rowspan="2">Combustion Air Inlet</td> </tr> <tr> <td>150-400</td> <td>53330</td> </tr> <tr> <td>136D</td> <td>2</td> <td>30-400</td> <td>207232</td> <td>Concentric Adapter Box Bracket</td> </tr> <tr> <td>135E</td> <td>1</td> <td>30-400</td> <td>53335</td> <td>Tube of High Temperature (450°F) Silicone Sealant</td> </tr> </tbody> </table>	Code	Qty	Size	P/N	Description	135	1	30-125	205895	Complete Vertical Vent Kit (Same as Option CC2)	150-400	205896	135A	1	30-125	205884	Concentric Adapter Box Assembly	150-400	205885	135B	1	30-125	110051	Exhaust (Vent) Terminal	150-400	110052	135C	1	30-125	155635	Combustion Air Inlet	150-400	53330	136D	2	30-400	207232	Concentric Adapter Box Bracket	135E	1	30-400	53335	Tube of High Temperature (450°F) Silicone Sealant	CODE 136 - Horizontal Vent Terminal/Combustion Air Package (Same as Option CC6) includes: <table border="1" style="width:100%; border-collapse: collapse; margin-top: 5px;"> <thead> <tr> <th>Code</th> <th>Qty</th> <th>Size</th> <th>P/N</th> <th>Description</th> </tr> </thead> <tbody> <tr> <td rowspan="2">136</td> <td rowspan="2">1</td> <td>30-125</td> <td>211762</td> <td rowspan="2">Complete Horizontal Vent Kit (Same as Option CC6) (as of 11/2005; see below)</td> </tr> <tr> <td>150-400</td> <td>211763</td> </tr> <tr> <td rowspan="2">136A</td> <td rowspan="2">1</td> <td>30-125</td> <td>211789</td> <td rowspan="2">Concentric Adapter Box Assembly</td> </tr> <tr> <td>150-400</td> <td>211790</td> </tr> <tr> <td rowspan="2">136B</td> <td rowspan="2">1</td> <td>30-125</td> <td>211791</td> <td rowspan="2">Exhaust Grill</td> </tr> <tr> <td>150-400</td> <td>211792</td> </tr> <tr> <td rowspan="2">136C</td> <td rowspan="2">1</td> <td>30-125</td> <td>151755</td> <td rowspan="2">Inlet Guard</td> </tr> <tr> <td>150-400</td> <td>124940</td> </tr> <tr> <td>136D</td> <td>8</td> <td>30-400</td> <td>37661</td> <td>#10-16 x 1/2" lg Screws to attach guard & grill</td> </tr> <tr> <td>136E</td> <td>2</td> <td>30-400</td> <td>207232</td> <td>Concentric Adapter Box Bracket</td> </tr> <tr> <td>136F</td> <td>1</td> <td>30-400</td> <td>53335</td> <td>Tube of High Temperature (450°F) Silicone Sealant</td> </tr> </tbody> </table>	Code	Qty	Size	P/N	Description	136	1	30-125	211762	Complete Horizontal Vent Kit (Same as Option CC6) (as of 11/2005; see below)	150-400	211763	136A	1	30-125	211789	Concentric Adapter Box Assembly	150-400	211790	136B	1	30-125	211791	Exhaust Grill	150-400	211792	136C	1	30-125	151755	Inlet Guard	150-400	124940	136D	8	30-400	37661	#10-16 x 1/2" lg Screws to attach guard & grill	136E	2	30-400	207232	Concentric Adapter Box Bracket	136F	1	30-400	53335	Tube of High Temperature (450°F) Silicone Sealant
Code	Qty	Size	P/N	Description																																																																																								
135	1	30-125	205895	Complete Vertical Vent Kit (Same as Option CC2)																																																																																								
		150-400	205896																																																																																									
135A	1	30-125	205884	Concentric Adapter Box Assembly																																																																																								
		150-400	205885																																																																																									
135B	1	30-125	110051	Exhaust (Vent) Terminal																																																																																								
		150-400	110052																																																																																									
135C	1	30-125	155635	Combustion Air Inlet																																																																																								
		150-400	53330																																																																																									
136D	2	30-400	207232	Concentric Adapter Box Bracket																																																																																								
135E	1	30-400	53335	Tube of High Temperature (450°F) Silicone Sealant																																																																																								
Code	Qty	Size	P/N	Description																																																																																								
136	1	30-125	211762	Complete Horizontal Vent Kit (Same as Option CC6) (as of 11/2005; see below)																																																																																								
		150-400	211763																																																																																									
136A	1	30-125	211789	Concentric Adapter Box Assembly																																																																																								
		150-400	211790																																																																																									
136B	1	30-125	211791	Exhaust Grill																																																																																								
		150-400	211792																																																																																									
136C	1	30-125	151755	Inlet Guard																																																																																								
		150-400	124940																																																																																									
136D	8	30-400	37661	#10-16 x 1/2" lg Screws to attach guard & grill																																																																																								
136E	2	30-400	207232	Concentric Adapter Box Bracket																																																																																								
136F	1	30-400	53335	Tube of High Temperature (450°F) Silicone Sealant																																																																																								

Replacement Parts for Horizontal Vent Terminal/Combustion Air Package (Option CC6) prior to 11/2005 <table border="1" style="width:100%; border-collapse: collapse; margin-top: 5px;"> <thead> <tr> <th>Code</th> <th>Qty</th> <th>Size</th> <th>P/N</th> <th>Description</th> </tr> </thead> <tbody> <tr> <td rowspan="2">136G</td> <td rowspan="2">1</td> <td>30-125</td> <td>205884</td> <td rowspan="2">Concentric Adapter Box Assembly</td> </tr> <tr> <td>150-400</td> <td>205885</td> </tr> <tr> <td rowspan="2">136H</td> <td rowspan="2">1</td> <td>30-125</td> <td>155096</td> <td rowspan="2">Screened Exhaust Assembly</td> </tr> <tr> <td>150-400</td> <td>53316</td> </tr> <tr> <td rowspan="2">136J</td> <td rowspan="2">1</td> <td>30-125</td> <td>151755</td> <td rowspan="2">Inlet Guard</td> </tr> <tr> <td>150-400</td> <td>124940</td> </tr> <tr> <td>136K</td> <td>2</td> <td>30-400</td> <td>207232</td> <td>Concentric Adapter Box Bracket</td> </tr> </tbody> </table>	Code	Qty	Size	P/N	Description	136G	1	30-125	205884	Concentric Adapter Box Assembly	150-400	205885	136H	1	30-125	155096	Screened Exhaust Assembly	150-400	53316	136J	1	30-125	151755	Inlet Guard	150-400	124940	136K	2	30-400	207232	Concentric Adapter Box Bracket	CODE 136H - Screened Exhaust Assembly (Horizontal Kit) 
Code	Qty	Size	P/N	Description																												
136G	1	30-125	205884	Concentric Adapter Box Assembly																												
		150-400	205885																													
136H	1	30-125	155096	Screened Exhaust Assembly																												
		150-400	53316																													
136J	1	30-125	151755	Inlet Guard																												
		150-400	124940																													
136K	2	30-400	207232	Concentric Adapter Box Bracket																												

CODE 137 - Aesthetic Horizontal Concentric Vent/Combustion Air Kit - Separated Combustion Fan & Blower Type Models - Sizes 30, 45, 60, and 75 (Same as Option CC14)

Package P/N 209343 (Same as Option CC14) <table border="1" style="width:100%; border-collapse: collapse; margin-top: 5px;"> <thead> <tr> <th>CODE</th> <th>P/N</th> <th>Qty</th> <th>Description</th> </tr> </thead> <tbody> <tr> <td>137A</td> <td>208994</td> <td>1</td> <td>Assembled Vent/Combustion Air Terminal</td> </tr> <tr> <td>137B</td> <td>209320</td> <td>1</td> <td>Concentric Adapter Box</td> </tr> <tr> <td>137C</td> <td>209337</td> <td>2</td> <td>Mounting Brackets</td> </tr> <tr> <td>137D</td> <td>195638</td> <td>6</td> <td>Sheetmetal Screws #8-18 X 3/8</td> </tr> <tr> <td>137E</td> <td>209338</td> <td>1</td> <td>Sealing Gasket</td> </tr> <tr> <td>137F</td> <td>53335</td> <td>1</td> <td>Clear Sealant, #732, 3 oz tube</td> </tr> </tbody> </table>	CODE	P/N	Qty	Description	137A	208994	1	Assembled Vent/Combustion Air Terminal	137B	209320	1	Concentric Adapter Box	137C	209337	2	Mounting Brackets	137D	195638	6	Sheetmetal Screws #8-18 X 3/8	137E	209338	1	Sealing Gasket	137F	53335	1	Clear Sealant, #732, 3 oz tube	
CODE	P/N	Qty	Description																										
137A	208994	1	Assembled Vent/Combustion Air Terminal																										
137B	209320	1	Concentric Adapter Box																										
137C	209337	2	Mounting Brackets																										
137D	195638	6	Sheetmetal Screws #8-18 X 3/8																										
137E	209338	1	Sealing Gasket																										
137F	53335	1	Clear Sealant, #732, 3 oz tube																										
<p>*Example of a Finished Vinyl Siding Installation</p> 	<p>*Example of a Finished Brick Wall Installation</p> 																												
<p>*Field-supplied parts required.</p>																													

Accessories/Options

CODE 140 - High Altitude Pressure Switch Kit - Above 6000 ft/1830M Elevation (Same as Option DJ20, DJ21) - Std Power Vent and Separate Combustion Fan Type and Blower Type Models as listed

See pressure switch locations in illustrations on pages 4 and 5.



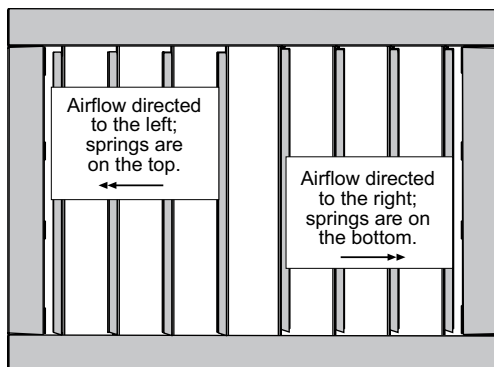
	Size	30	45	60	75	100	125	150	175	200	225	250	300	350 & 400		
		before 7/23/09		after 7/23/09										before 7/23/09	after 7/23/09	
Option DJ20 installed on a std Power Vented Fan- Type Unit Heater	Pkg P/N	197117		197118			197117			201162			201163	201162		
	High Altitude Switch P/N	197031		197032			197031			201160			201161	201160		
	Negative Pressure OFF Setpoint "w.c.	0.35		0.45			0.35			1.0			1.30	1.0		
	Label color	Purple		Pink			Purple			Brown			White	Brown		
Option DJ21 installed on a std Power Vent Fan Type Unit Heater with Option AV6 for Common Venting	Size	30	45	60	75	100										
	Pkg P/N	197119	197118	197120		197121										
	High Altitude Switch P/N	197029	197032	196362		196388										
	Negative Pressure OFF Setpoint "w.c.	0.60	0.45	0.55		0.50										
Label color	Lt Blue	Pink	White		Orange											
Option DJ20 installed on a Separated Combustion Fan- Type Unit Heater	Size	30	45	60	75	100	125	150	175	200	225	250	300	350 & 400		
	before 7/23/09		after 7/23/09												before 7/23/09	after 7/23/09
	Pkg P/N	197119			197121		197205	197117		201162			201163	201162		
	High Altitude Switch P/N	197029			196388		197030	197031		201160			201161	201160		
Differential Pressure OFF Setpoint "w.c.	0.60			0.50		0.40	0.35		1.0			1.30	1.0			
Label color	Lt. Blue			Orange		Green	Purple		Brown			White	Brown			
Option DJ20 installed on a std Power Vented Blower-Type High Static Unit Heater	Size	30	45	60	75	100	125	150	175	200	225	250	300	350 & 400		
	before 7/23/09		after 7/23/09												before 7/23/09	after 7/23/09
	Pkg P/N	197117		197118			197117			201162			201163	201162		
	High Altitude Switch P/N	197031		197032			197031			201160			201161	201160		
Negative Pressure OFF Setpoint "w.c.	0.35		0.45			0.35			1.0			1.30	1.0			
Label color	Purple		Pink			Purple			Brown			White	Brown			
Option DJ20 installed on a Separated Combustion Blower-Type High Static Unit Heater	Size	30	45	60	75	100	125	150	175	200	225	250	300	350 & 400		
	before 7/23/09		after 7/23/09												before 7/23/09	after 7/23/09
	Pkg P/N	197117	197118	202103	197118	197117	197205	197117		201162			201163	201162		
	High Altitude Switch P/N	197031	197032	196362	197032	197031	197030	197031		201160			201161	201160		
Differential Pressure OFF Setpoint "w.c.	0.35	0.45	0.55	0.45	0.35	0.40	0.35		1.0			1.30	1.0			
Label color	Purple	Pink	White	Pink	Purple	Green	Purple		Brown			White	Brown			

CODE 141 - Vent Cap - Std Power Vent Fan Type & Std Power Vent Blower Type Models (Same as Option CC1)



Code	Size	30	45	60	75	100	125	150	175	200	225	250	300	350	400
140A	Vent Cap for Std Power Vent Fan & Blower Type Heaters	111848, 4"				111849, 5"				111850, 6"					
140B	Vent Cap for Std Power Vent Fan Type Heater with Option AV6 for common venting	111848, 4"	111849, 5"	--	--	--	--	--	--	--	--	--	--	--	--

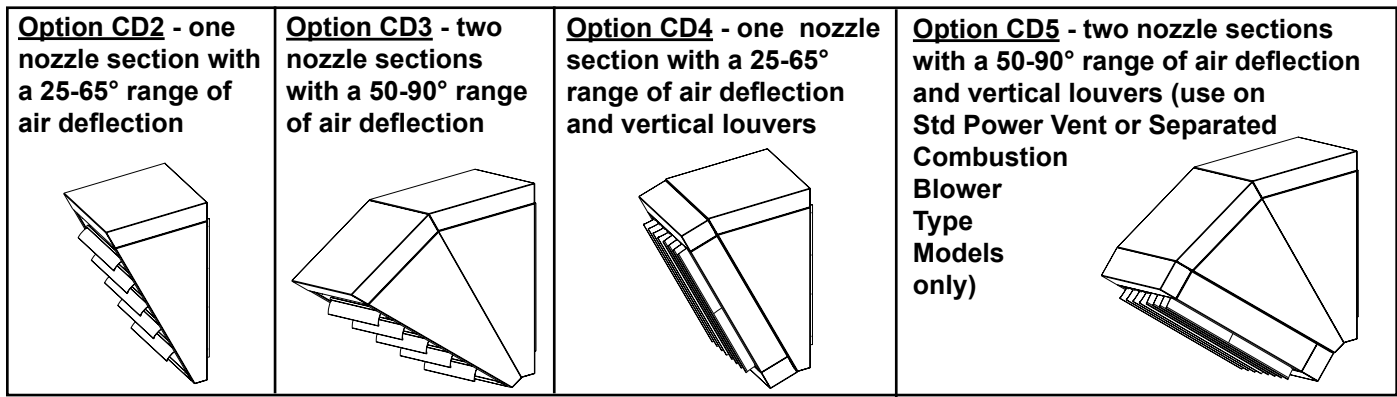
CODE 142 - Vertical Louvers (Same as Option CD1) - All Models



Install and adjust vertical louvers to achieve desired airflow pattern.

Size	30, 45	60, 75	100, 125	150, 175, 200	225, 250	300, 350, 400
Option Pkg P/N	197097	197098	197099	201199	201200	201201
<i>Components</i>						
Louver Frame Top and Bottom	(2) 197056			(2) 197189		(2) 197190
Louver Frame Sides	(2)197057	(2)197058	(2)197059	(2)197186	(2)197187	(2)197188
Screws	(20) 195638, #8-18 x 3/8" long, AB point, slotted indented serrated hex washer head					
Louvers	(5)196232	(5)196231	(5)196233	(8)196572	(8)196573	(8)195315
Compression Springs	(5)195046	(5)195046	(5)195046	(8)195046	(8)195046	(8)195046

CODE 143 - Downturn Nozzles (Same as Options CD2, CD3, CD4, CD5)



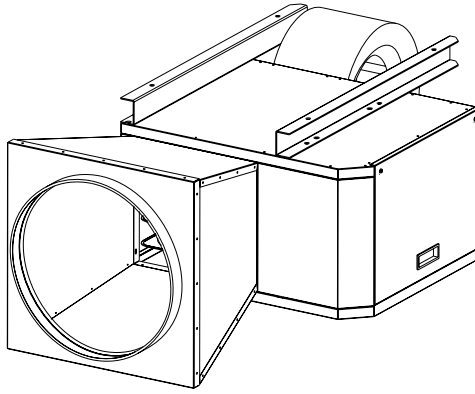
Size	30, 45	60, 75	100, 125	150, 175, 200	225, 250	300, 350, 400
Option CD2 Pkg P/N	197103	197104	197105	201202	201203	201204
Nozzle Section Right Side	(1) 196990	(1) 196991	(1) 196992	(1) 197173	(1) 197174	(1) 197175
Nozzle Section Left Side	(1) 196993	(1) 196994	(1) 196995	(1) 197176	(1) 197177	(1) 197178
Nozzle Section Top	(1) 196987	(1) 196988	(1) 196989	(1) 197170	(1) 197171	(1) 197172
Nozzle Bracket	--	--	--	(2) 201708		(2) 201709
Nozzle Section Bottom	(1) 196996			(1) 196997		(1) 197179
Screws, #8-18 x 3/8" long AB point, slotted indented serrated hex washer head	(14) 195638			(16) 195638		
Option CD4 Pkg P/N	197114	197115	197116	201208	201209	201210
Same components as Option CD2 above PLUS						
Vertical Louver	(5) 196232	(5) 196231	(5) 196233	(8) 196572	(8) 196573	(8) 195315
Compression Spring	(5) 195046	(5) 195046	(5) 195046	(8) 195046	(8) 195046	(8) 195046
Louver Top and Bottom Support	(2) 197056			(2) 197189		(2) 197190
Louver Frame Side	(2) 197057	(2) 197058	(2) 197059	(2) 197186	(2) 197187	(2) 197188
Screws	(20) 195638, #8-18 x 3/8" long AB point, slotted indented serrated hex washer head					
Option CD3 Pkg P/N	197111	197112	197113	201205	201206	201207
Nozzle Section Right Side	(2) 196990	(2) 196991	(2) 196992	(2) 197173	(2) 197174	(2) 197175
Nozzle Section Left Side	(2) 196993	(2) 196994	(2) 196995	(2) 197176	(2) 197177	(2) 197178
Nozzle Section Top	(2) 196987	(2) 196988	(2) 196989	(2) 197170	(2) 197171	(2) 197172
Nozzle Bracket	--	--	--	(2) 201708		(2) 201709
Nozzle Section Bottom	(2) 196996			(2) 196997		(2) 197179
Screws, #8-18 x 3/8" long AB point, slotted indented serrated hex washer head	(28) 195638			(30) 195638		
Option CD5 Pkg P/N	202094	202095	202096	202097	202098	202099
Same components as Option CD3 above PLUS						
Vertical Louver	(5) 196232	(5) 196231	(5) 196233	(8) 196572	(8) 196573	(8) 195315
Compression Spring	(8) 195046					
Louver Top and Bottom Support	(2) 197056			(2) 197189		(2) 197190
Louver Frame Side	(2) 197057	(2) 197058	(2) 197059	(2) 197186	(2) 197187	(2) 197188
Screws	(22) 195638, #8-18 x 3/8" long AB point, slotted indented serrated hex washer head					

CODE 144 - Duct Flange, Std Power Vent and Separated Combustion Blower Type Models (Same as Option CD9)

Size	30, 45	60, 75	100, 125	150, 175, 200	225, 250	300, 350, 400
Option Pkg P/N	202909	202910	202911	202912	202913	202914
Components (qty in parenthesis):						
Duct Flange Section (Side & Top / Side & Bottom)	(2) 201750	(2) 201751	(2) 201752	(2) 201813	(2) 201814	(2) 201815
Sheetmetal Screws, #10 x 1/2"	(16) 11813	(14) 11813	(16) 11813	(18) 11813		

Accessories/Options (cont'd)

**CODE 145 - Polytube Adapter,
for Std Power Vent & Separated
Combustion Blower Type Model
Sizes 75-400 (Same as Option CD11)**



Model Sizes	75	100, 125	150, 175, 200	225, 250	300, 350, 400
Option Pkg P/N	203086	203087	203088	203089	203090
Components:					
Adapter Top/Bottom	(2) 202962	(2) 202964	(2) 202966	(2) 202968	(2) 202970
Adapter Side	(2) 202961	(2) 202963	(2) 202965	(2) 202967	(2) 202969
Discharge Panel Assy	101249		101250		
Discharge Duct Collar Clamp	101499		146463		
Sheetmetal Screws, #10 x 1/2" long	(52) 11813				
Sheetmetal Screw, #10 x 3/4" long	20859		--		
1/4-20 x 1-1/2" long Hex Head Screw	--		51231		
1/4-20 Hex Nuts	--		7328		
1/4-20 Wing Nut	--		107246		

**CODES 146 and 147 - Guards for Std Power Vent or Separated Combustion Blower Type Units
(Same as Option CD10 and CD12)**



**CODE 146,
Blower Inlet
Guard in CD10
and CD12**



**CODE 147, Belt
Guard in
Option CD10**

Option CD12 for Std Power Vent & Separated Combustion Blower Type Heater Sizes 30-125	Qty	P/N
Option Pkg P/N		114548
Blower Inlet Guard	1	102474
Screws, #10-16 x 1/2" lg	4	37661

Option CD10, Belt & Blower Guards	150-200		225-400	
Option Pkg P/N	202316		202317	
Components:	Qty	P/N	Qty	P/N
Blower Inlet Guard	1	203079	1	102475
Belt Guard	1	193797	1	193795
Green Wire Assembly	1	202939	1	202939
Screws, #10-16 x 1/2" lg (4 for attaching blower inlet guard; 3 for attaching belt guard; and 1 for attaching ground wire to blower)	8	37661	8	37661

CODE 148 - Hanger Kits (Same as Options CK8 and CK10)

Option CK8 - Two-point Suspension

Option CK10 - Four-point Suspension

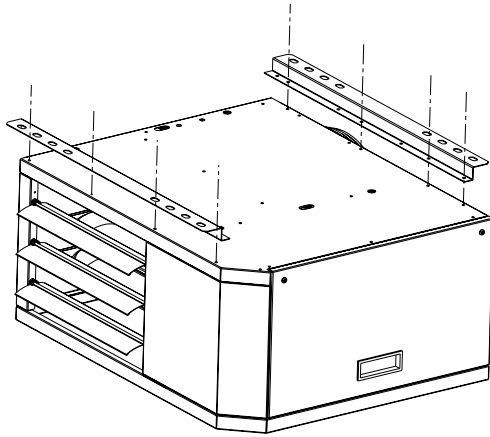
Size	All
Option CK8 Pkg P/N	98509
Swivel Connector Assembly	(2) 17627
3/8" Lock Washer	(2) 5197
Option CK10 Pkg P/N	98511
Swivel Connector Assembly	(4) 17627
3/8" Lock Washer	(8) 5197
3/8" Hex Nuts	(4) 1438

CODE 150 - Ceiling Suspension Kit for Std Power Vent or Separate Combustion Fan Type Unit Sizes 30-125 (Same as Option CK22)

Model Sizes	30, 45, 60, 75, 100, 125
Option CK22 Pkg P/N	197094
Suspension Angle	(2) 195496 - UDAP Part # (1000050) - APD Part #
Sheetmetal Screw	(1) 195638

Attach ceiling brackets to top, across front and rear of the heater. Use cabinet screws and screw from kit.

Applies only to Std Power Vent or Separated Combustion Fan Type Units Sizes 30-125



CODE 151 - Manual Shutoff Valve (Same as Option CE1)



Description	30, 45, 60, 75, 100, 125, 150, 175, 200	225, 250, 300, 350, 400
Option Pkg P/N	15971	15972
Manual Shutoff Ball Valve	196910, 1/2"	196911, 3/4"
Union	1224, 1/2"	1101, 3/4"

Thermostats and Thermostat Accessories

CODE 160 - Single-Stage Thermostat, 24 volt, fan switch, P/N 255350 (Same as Option CL1)



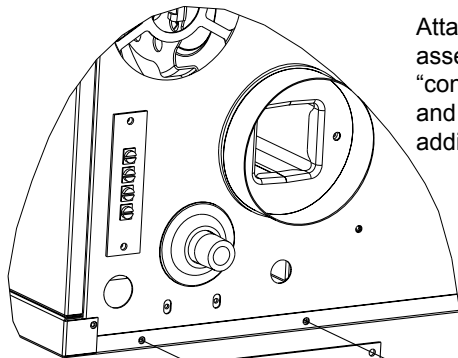
CODE 161 - Two-Stage Thermostat, 24 volt, fan switch, P/N 220630 (Same as Option CL22)



CODE 162 - Locking Thermostat Cover, P/N 257464 (Same as Option CM1)



CODE 163 - Kits for Control of 2-6 Heaters



Attach the relay assembly to the "control" unit and up to five additional units.

Model Sizes 30-125 use existing cabinet screw. Model Sizes 150-400 use self drilling screw in the kit.

Cable Clamp
All model sizes use existing screw.

Relay Bracket Assembly

Pkg P/N 197155 for One "Control" Heater and One Additional Heater (Same as Option CL31)

Qty	P/N	Description
1	194808	Transformer 40VA (for the "control" unit)
2	197157	Relay Assemblies each consisting of one P/N 18549, Relay (NOTE: If replacing relay only P/N 98118, WR #134-20102-101, order Kit P/N 263527.), wired and mounted on a specially designed bracket.
2	195249	Self drilling screw for attaching relay bracket
2	16228	Cable Clamp 3/16"
1	197160	Wiring Harness Assembly (brown wires)
2	197164	Wiring Diagram Label

Pkg P/N 197156 for Each Additional (4 maximum) "non-controlling" Heater (Same as Option CL32)

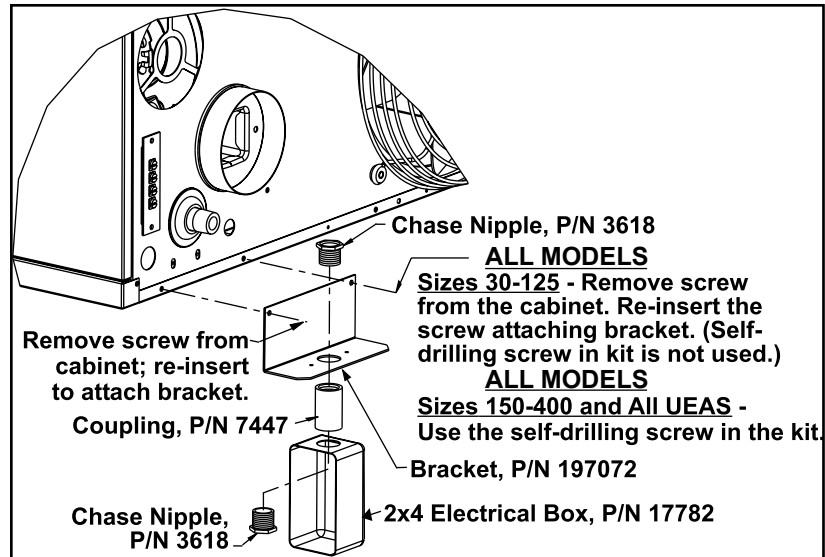
Qty	P/N	Description
1	197157	Relay Assemblies each consisting of one P/N 18549, Relay (NOTE: If replacing relay only P/N 98118, WR #134-20102-101, order Kit P/N 263527.), wired and mounted on a specially designed bracket.
1	195249	Self drilling screw for attaching relay bracket
1	16228	Cable Clamp 3/16"
1	197164	Wiring Diagram Label

**Thermostat
Accessories (cont'd)**

**CODE 164 - Thermostat Bracket Kit for All Models
(Same as Option CM3)**

Thermostat bracket option package, P/N 197077, includes:

Qty	Description	P/N
1	2 x 4 Electrical Box	17782
1	1/2" Coupling conduit connector	7447
2	1/2" Chase Nipples	3618
1	Bracket	197072
1	Screw (self drilling)	195249



NOTES

NOTES

