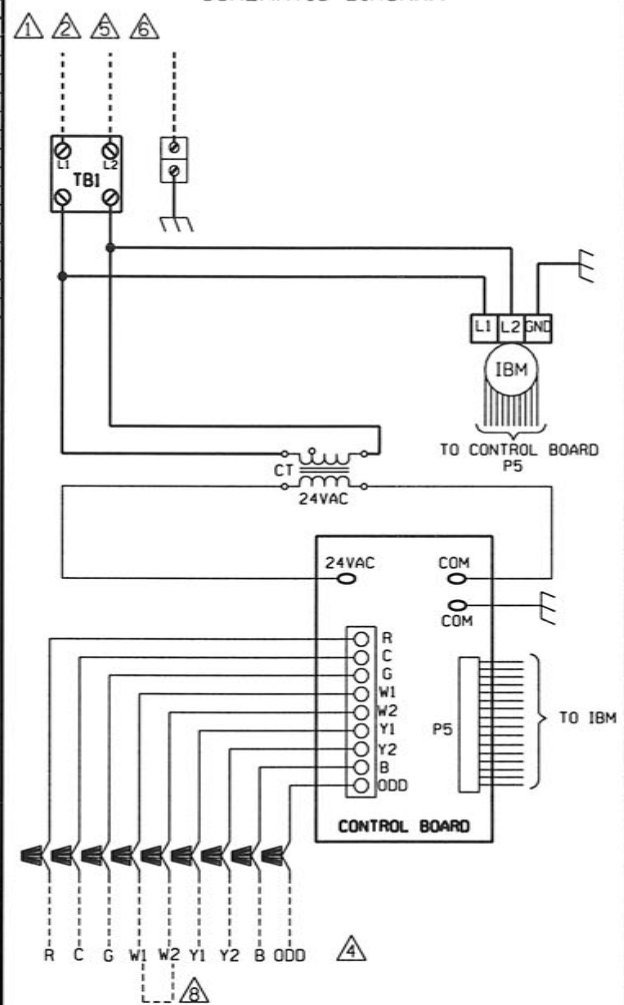
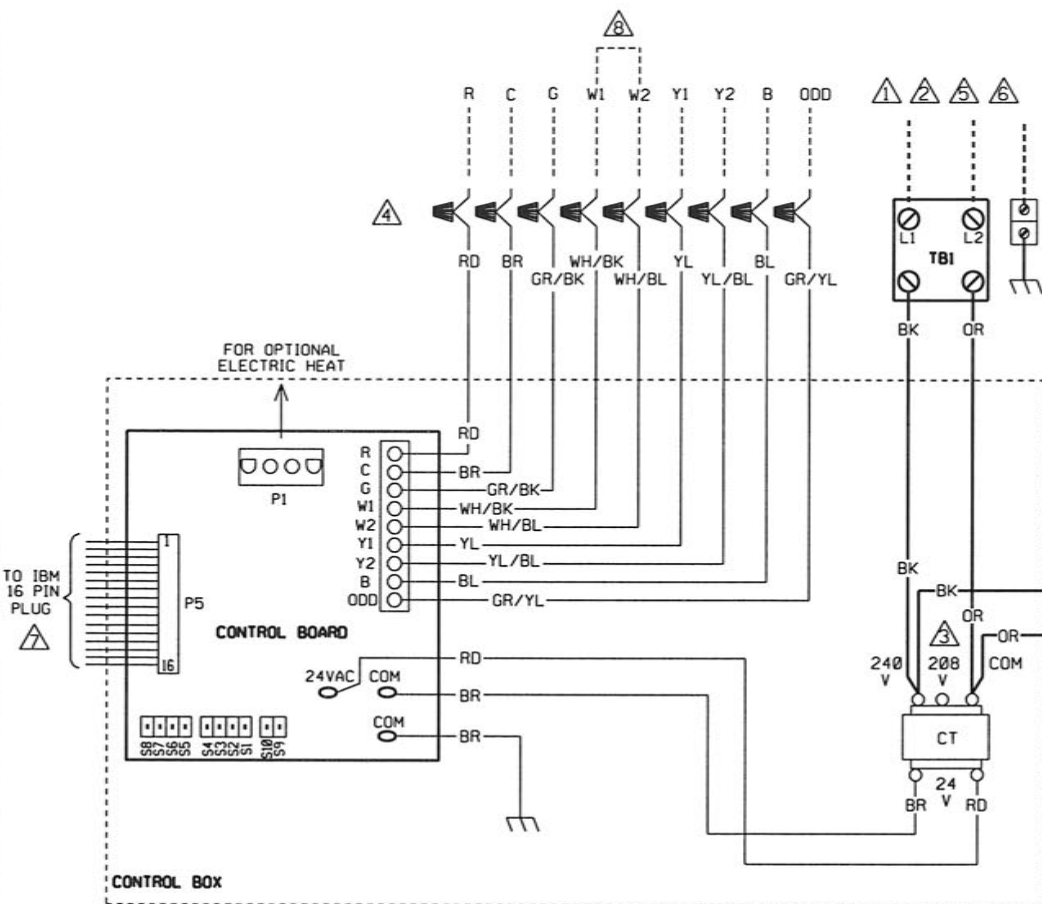


WIRING DIAGRAM

16 PIN CONNECTOR	
PIN NO.	WIRE COLOR
1	BR
2	WH/BK
3	BR/WH
4	WH/RD
5	WH/YL
6	YL
7	WH
8	BK
9	BL
10	GY
11	PR
12	RD
13	WH/BL
14	YL/BL
15	GR/BK
16	RD/BK

SCHEMATIC DIAGRAM



COMPONENT CODE	
CT	CONTROL TRANSFORMER
GND	GROUND
IBM	INDOOR BLOWER MOTOR
TB	TERMINAL BLOCK (HI VOLT)
▲	WIRE NUT

- NOTES:**
- ▲ CONNECT SUPPLY WIRING FOR VOLTAGE, PHASE AND HERTZ SHOWN ON RATING PLATE.
 - ▲ SUPPLY WIRE MUST BE RATED AT 75° C MIN. SEE INSTRUCTIONS FOR SIZE.
 - ▲ CT FACTORY WIRED FOR 240 VOLTS. MOVE WIRES FROM 240V TO 208V FOR 208V OPERATION.
 - ▲ CONTROL WIRING TO THERMOSTAT.
 - ▲ FOR USE WITH COPPER CONDUCTORS ONLY.
 - ▲ WHEN HEATER KIT IS INSTALLED, POWER IS APPLIED TO HEATER KIT DISCONNECT OR TERMINAL BLOCK. WIRES ARE PROVIDED IN HEATER KIT TO CONNECT TO TBI. WITHOUT ELECTRIC HEAT, FIELD POWER WIRES ARE ATTACHED TO TBI. SEE CHART FOR WIRE COLORS.
 - ▲ WHEN USING 13KW AND HIGHER IT IS RECOMMENDED TO JUMP W1 AND W2 TOGETHER FOR MAXIMUM TEMPERATURE RISE.

- WIRING INFORMATION**
- LINE VOLTAGE
- FACTORY STANDARD _____
 - FACTORY OPTION - - - - -
 - FIELD INSTALLED - - - - -
- LOW VOLTAGE
- FACTORY STANDARD _____
 - FACTORY OPTION - - - - -
 - FIELD INSTALLED - - - - -
- REPLACEMENT WIRE
- MUST BE THE SAME SIZE AND TYPE OF INSULATION AS ORIGINAL (105 C° MIN.)
- WARNING
- CABINET MUST BE PERMANENTLY GROUNDED AND CONFORM TO I.E.C., N.E.C., C.E.C. AND LOCAL CODES AS APPLICABLE.

WIRE COLOR CODE			
BK	BLACK	OR	ORANGE
BR	BROWN	PR	PURPLE
BL	BLUE	RD	RED
GR	GREEN	WH	WHITE
GY	GRAY	YL	YELLOW

ELECTRICAL WIRING DIAGRAM

ELECTRIC AIR HANDLER

ECM MOTOR

DR. BY	APR. BY	DATE	DWG. NO.	REV
MGR		6-18-05	90-101898-01	04