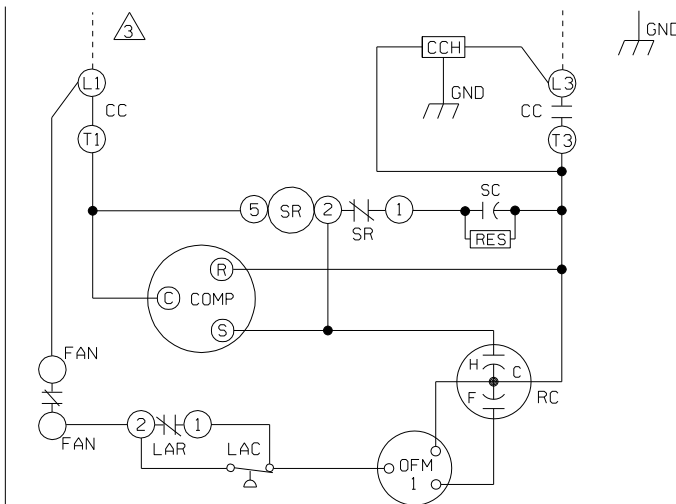
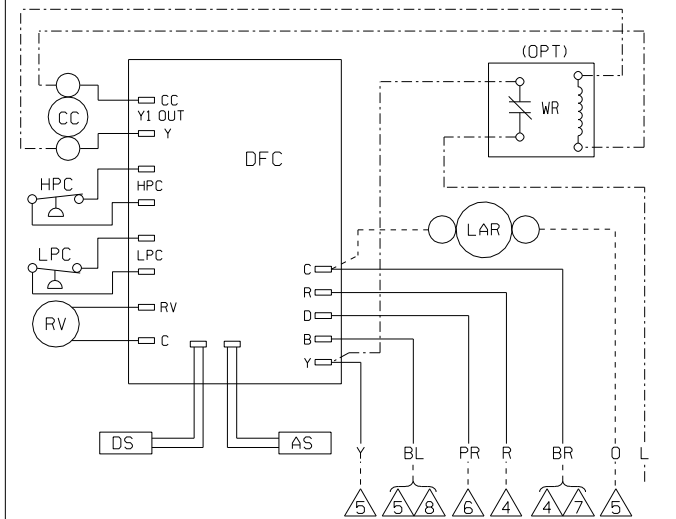


WIRING DIAGRAM



WIRING SCHEMATIC



COMPONENT CODE

|      |                              |
|------|------------------------------|
| AS   | AMBIENT SENSOR               |
| CC   | COMPRESSOR CONTACTOR         |
| CCH  | CRANKCASE HEATER             |
| COMP | COMPRESSOR                   |
| DFC  | DEFROST CONTROL              |
| DS   | DEFROST COIL SENSOR          |
| GND  | GROUND, CHASSIS              |
| HPC  | HIGH PRES. CUT-OUT CONTROL   |
| LAC  | LOW AMBIENT COOLING CONTROL  |
| LAR  | LOW AMBIENT RELAY            |
| LPC  | LOW PRESSURE CUT OUT CONTROL |
| OFM  | OUTDOOR FAN MOTOR            |
| OPT  | OPTIONAL                     |
| RC   | RUN CAPACITOR                |
| RV   | REVERSING VALVE              |
| SC   | START CAPACITOR              |
| SR   | START RELAY                  |
| WR   | WARNING RELAY                |

NOTES:

- CONNECTORS SUITABLE FOR USE WITH COPPER CONDUCTORS ONLY.
- COMPRESSOR MOTOR THERMALLY PROTECTED AND ALL 3 PHASE ARE PROTECTED UNDER PRIMARY SINGLE PHASE CONDITIONS.
- CONNECT FIELD WIRING IN GROUNDED RAINTIGHT CONDUIT TO 60 HERTZ FUSE DISCONNECT, VOLTAGE AND PHASE PER RATING PLATE.
- LOW VOLTAGE CIRCUIT TO BE N.E.C. CLASS 2 WITH A CLASS 2 TRANSFORMER 24 VOLT, 60 HERTZ.
- TO THERMOSTAT SUB-BASE, REFER TO SYSTEM SCHEMATICS OR SCHEMATICS ON INDOOR SECTION FOR LOW VOLTAGE CONTROL WIRING.
- THIS WIRE IS USED TO TURN ON STRIP HEAT DURING DEFROST. OMIT CONNECTION FOR MOST ECONOMICAL OPERATION.
- TO HEAT PUMP MONITOR 2.5 VA. MAX. WHEN USED.
- THIS COMPONENT IS ENERGIZED IN HEATING MODE.
- IF LAC/LAR IS NOT USED, CONNECT BLACK WIRE FROM OFM TO DFC FAN MOTOR.
- BLACK WIRE FROM SR (5) TO CC (T1) DELETED WHEN PTCR IS USED.

WIRING INFORMATION

LINE VOLTAGE  
 -FACTORY STANDARD —————  
 -FACTORY OPTION - - - - -  
 -FIELD INSTALLED - - - - -

LOW VOLTAGE  
 -FACTORY STANDARD —————  
 -FACTORY OPTION - - - - -  
 -FIELD INSTALLED - - - - -

REPLACEMENT WIRE  
 -MUST BE THE SAME SIZE AND TYPE OF INSULATION AS ORIGINAL (105 C° MIN.)

WARNING  
 -CABINET MUST BE PERMANENTLY GROUNDED AND CONFORM TO I.E.C., N.E.C., C.E.C. AND LOCAL CODES AS APPLICABLE.

WIRE COLOR CODE

|    |       |    |        |   |        |
|----|-------|----|--------|---|--------|
| BK | BLACK | GY | GRAY   | R | RED    |
| BR | BROWN | O  | ORANGE | W | WHITE  |
| BL | BLUE  | PK | PINK   | Y | YELLOW |
| G  | GREEN | PR | PURPLE |   |        |

ELECTRICAL WIRING DIAGRAM  
 REMOTE HEAT PUMP  
 SINGLE PHASE  
 DEMAND DEFROST CONTROL