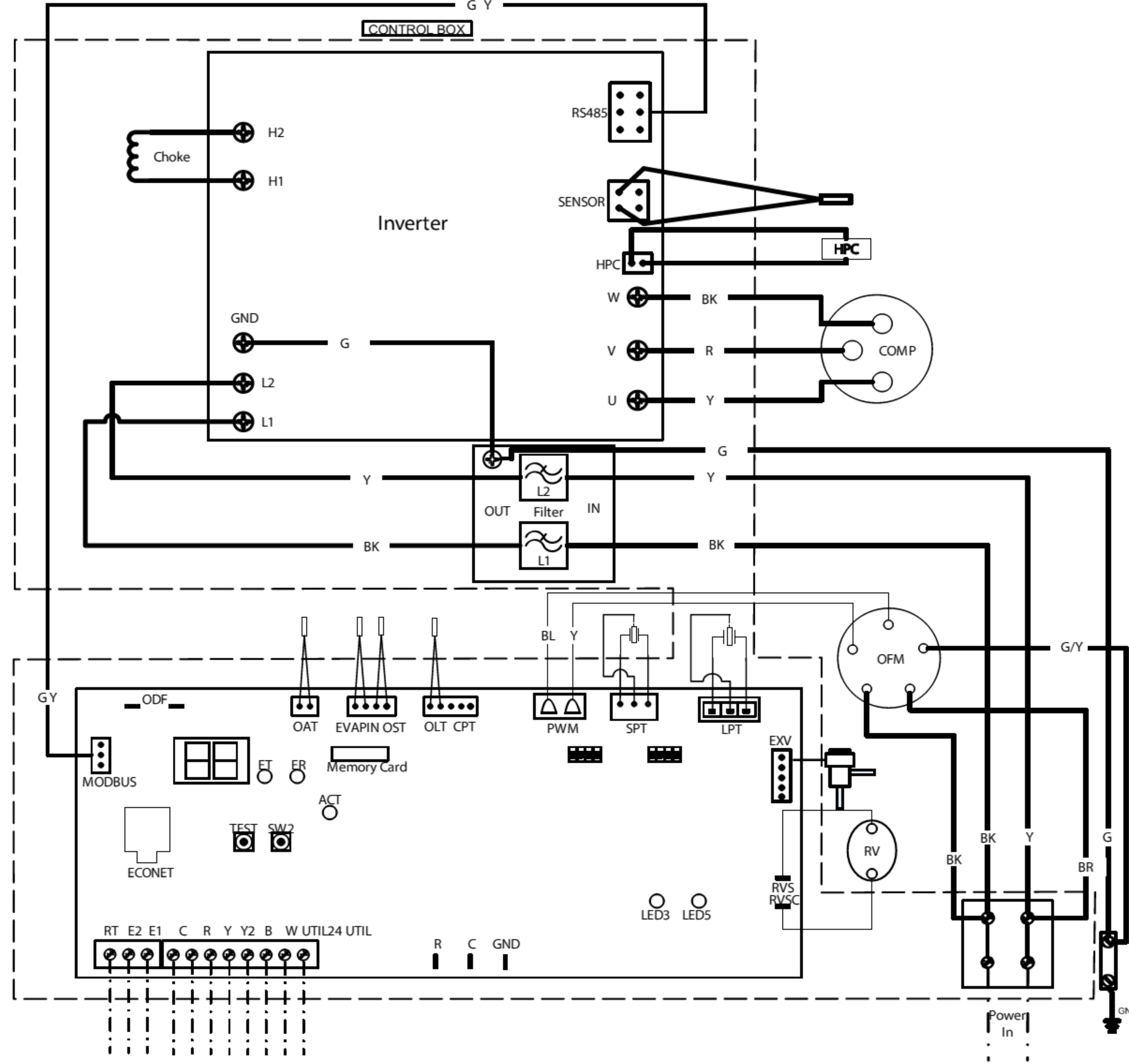
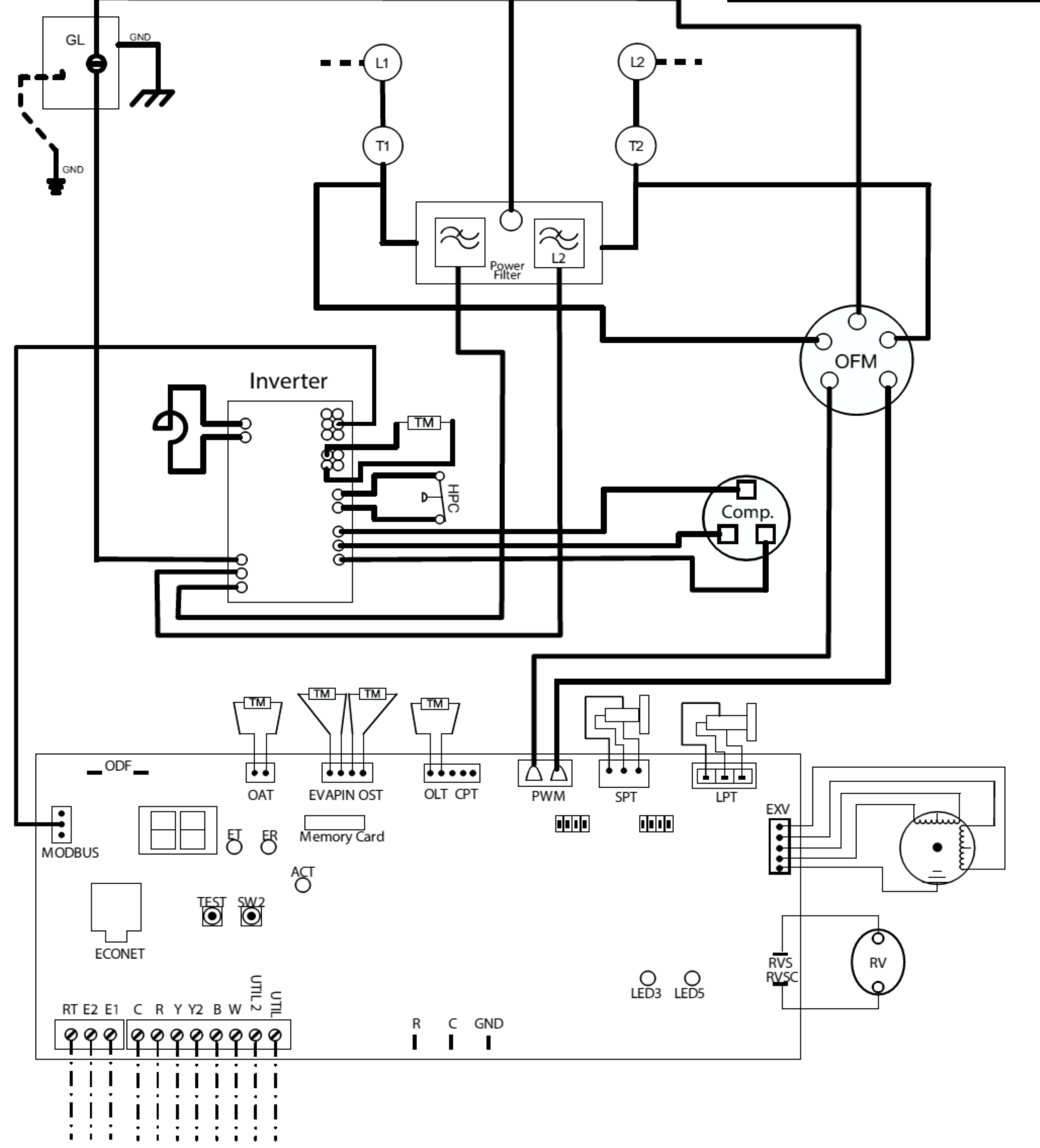


WIRING DIAGRAM



SCHEMATIC DIAGRAM



NOTES

- 1..... CONNECTORS SUITABLE FOR USE WITH COPPER CONDUCTORS ONLY.
- 2..... COMPRESSOR MOTOR THERMALLY PROTECTED.
- 3..... CONNECT FIELD WIRING IN GROUNDED RAINTIGHT CONDUIT TO FUSED DISCONNECT, VOLTAGE, HERTZ AND PHASE PER RATING, AND PER NATIONAL AND LOCAL CODES.
- 4..... LOW VOLTAGE CIRCUIT TO BE N.E.C. CLASS 2 WITH A CLASS 2 TRANSFORMER 24 VOLT, 50 OR 60 HZ. MIN 18 AWG.
- 5..... TO THERMOSTAT, REFER TO SYSTEM SCHEMATICS OR SCHEMATICS ON INDOOR SECTION FOR LOW VOLTAGE CONTROL WIRING.
- 6..... DUAL 7-SEGMENT LED DISPLAY TO DISPLAY DIAGNOSTIC CODES, SEE DIAGNOSTIC LABEL FOR DETAILS.
- 7..... HPC ARE AUTOMATIC RESET SWITCHES.

WIRING INFORMATION

LINE VOLTAGE
 -FACTORY STANDARD
 -FACTORY OPTION
 -FIELD INSTALLED

LOW VOLTAGE
 -FACTORY STANDARD
 -FIELD INSTALLED
 REPLACEMENT WIRE

-MUST BE THE SAME SIZE AND TYPE OF INSULATION AS ORIGINAL (105C. MIN.)

WARNING
 -CABINET MUST BE PERMANENTLY GROUNDED AND CONFORM TO I.E.C., N.E.C., C.E.C., NATIONAL WIRING REGULATIONS, AND LOCAL CODES AS APPLICABLE.

COMPONENT CODES

CC.....COMPRESSOR CONTACTOR	OAT.....OUTDOOR AIR TEMP.
CHC.....C C H THERMISTOR	OFM.....OUTDOOR FAN MOTOR
COM.....COMMON CONNECTION	LPT..... LIQUID PRESS. TRANSDUCER
COMP.....COMPRESSOR	OST.....SUCTION TEMP. CONN.
EVAP.....COIL TEMP	P11.....RJ 14 COM TAP
EXV (5 PIN)....ELEC. TX VALVE	PSC.....PSC MTR. CONN.
ODF.....OUTDOOR FAN CONNECTION	CAP.....RUN CAPACITOR
GND.....GROUND	RVS.....REVERSING VALVE CONN.
HPC.....HIGH PRESS. CONT.	RV.....REVERSING VALVE
LPC.....LOW PRESSURE CONTROL	SPT.....SUCTION PRESS. TRANSDUCER
TM.....THERMISTORWIRE NUT
SENSOR.....DISCHARGE LINE THERMISTOR24 VAC INPUT
LED 3.....GREEN- EXV OPEN LED	
LED 5.....AMBER - EXV CLOSE LED	

WIRE COLOR CODE

BK.....BLACK	G.....GREEN	PR.....PURPLE
BR.....BROWN	G Y.....GRAY	R.....RED
BL.....BLUE	O.....ORANGE	W.....WHITE
		Y.....YELLOW

ELECTRICAL WIRING DIAGRAM

VARIABLE SPEED ECONET DEFROST CONTROL (HEAT PUMP) W/ECM MOTOR

