



PC50X - Premium Choice Fan

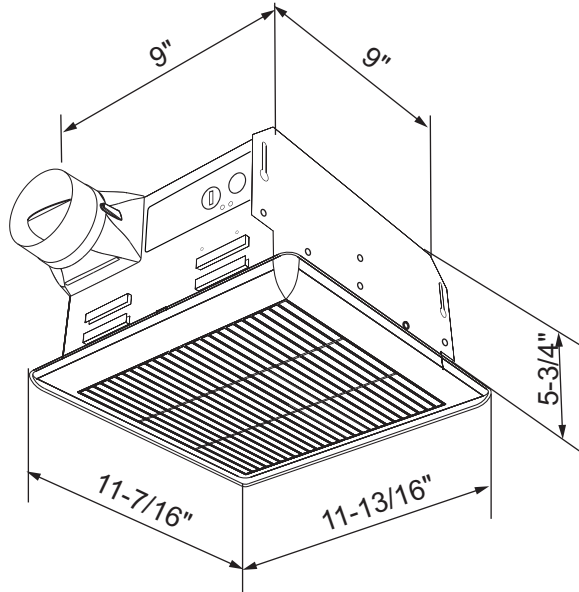
(Ceiling Mounted Ventilation Fans)



Performance

Model	CFM	Static Pressure (in W.G.)	Energy Efficiency (CFM/Watts)	Watts	Power (V/Hz)	Sones	Amps
PC50X	50/38	0.1/0.25	3.6	16	120/60	0.9	.2

Dimensions



Model	Duct Dia.	Grille Size (Sq. in inches)	Cabinet Size (in Inches)			Unit Wgt. (lbs)
			W	D	H	
PC50X	4"	11-7/16 x 11-13/16	9	9	5-3/4	7



Options & Accessories

- Humidity Sensor, Plug-&-Play module
- Speed Control Plug-&-Play module

Typical Specifications:

Ventilating fan shall be S&P PC50X mounted in the ceiling. The fan shall have a 5-year limited warranty. The fan shall be HVI Certified at 0.1 inch water gauge for CFM performance above. The fan shall be ENERGY STAR qualified The motor shall be ETL and cETL Listed with impedance protection plus additional thermal protection.