

**PRODUCT NUMBER:**

120 / 121

**DESCRIPTION:**

WALLSTACK VERTICAL ELBOW / ANGLE

**PRODUCT DATA SHEET**

**DATE:**  
11/15/11

**MODEL VARIATIONS**

# 120 = 90° ELBOW

# 121 = 45° ANGLE

**PRODUCTION DATA**

MATERIAL: FABRICATED FROM HOT DIPPED GALVANIZED STEEL SHEETS OF LOCK FORMING QUALITY PER ASTM-A653 CS TYPE B.

GAUGES: ALL SIZES ARE 26GA

**PRODUCT CHARACTERISTICS**

RAW EDGE CONNECTION.

SNAP LOCK CONNECTION.

**PRODUCT SIZE INFORMATION**

STANDARD SIZES:

10 X 2¼

12 X 2¼

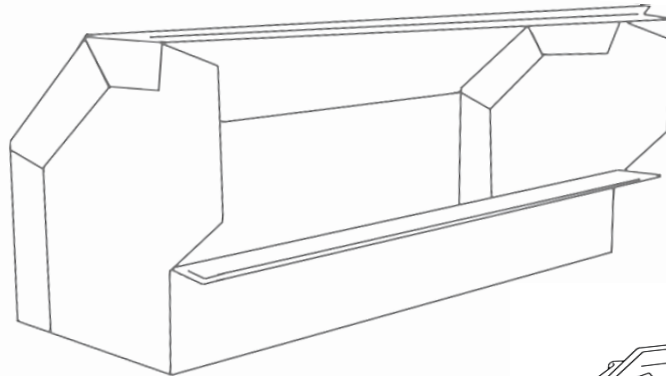
14 X 2¼

10 X 3¼

12 X 3¼

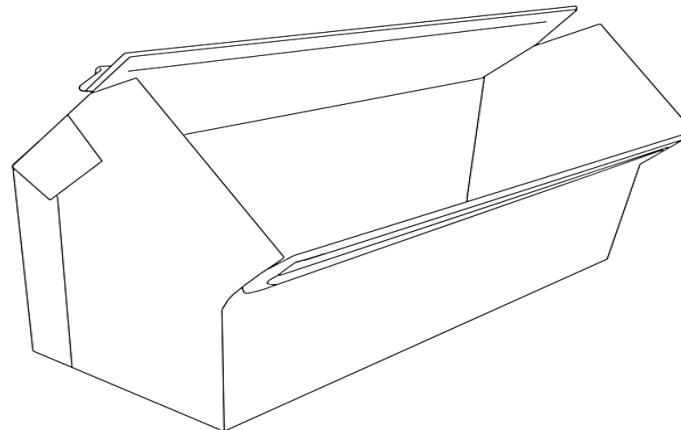
14 X 3¼

# 120



90°

# 121



45°

**NOTES:**

**Snap-Rite®**  
*Manufacturing, Inc.*

A Gray Co.

232 NORTH IDA STREET  
COATS, NC 27521

PH: 910-897-4080

FX: 910-897-0355



6285 PETERSON ROAD  
LAKE PARK, GA 31636

PH: 229-559-3772

FX: 229-559-9965