



SOUTHWARK METAL MANUFACTURING COMPANY

Philadelphia, PA • Greenville, SC • Indianapolis, IN • Southaven, MS • Fremont, NE • Caldwell, ID

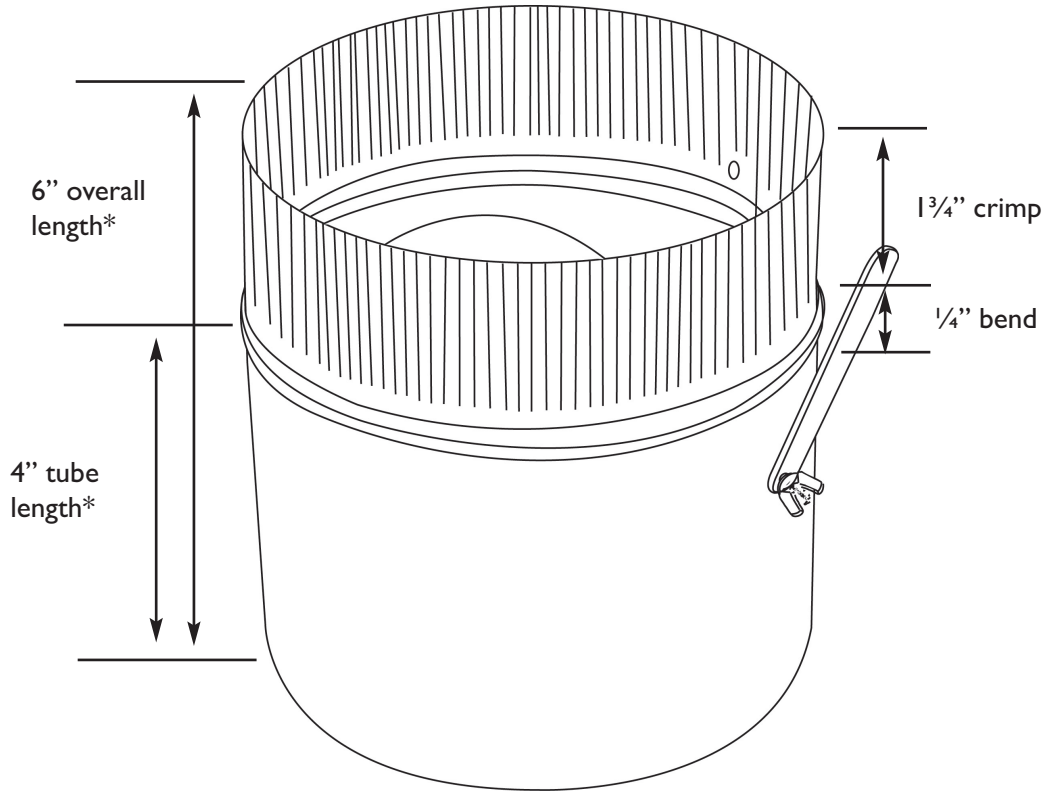
Corporate Headquarters: 2800 Red Lion Road, Philadelphia PA 19114

tel: (800) 523-1052 • fax (800) 722-2076 • www.southwarkmetal.com

SUBMITTAL DRAWING

DAMPER SECTION

(MODEL NO: 40)



NOTES

- Material: Hot Dipped Galvanized Steel per ASTM A653 CS Type B
- 28 gauge
- Available with diameters 4" through 24"
- 1/2" overlap for riveting using 1/8" rivets
- *On larger sizes, body length may vary

JOB NAME: _____
 LOCATION: _____
 ARCHITECT: _____
 ENGINEER: _____
 CONTRACTOR: _____

DATE: 1/24/14

SW-40ID

SD-0161

Damper Section
MODEL NO: 40