



**SOUTHWARK METAL MANUFACTURING COMPANY**

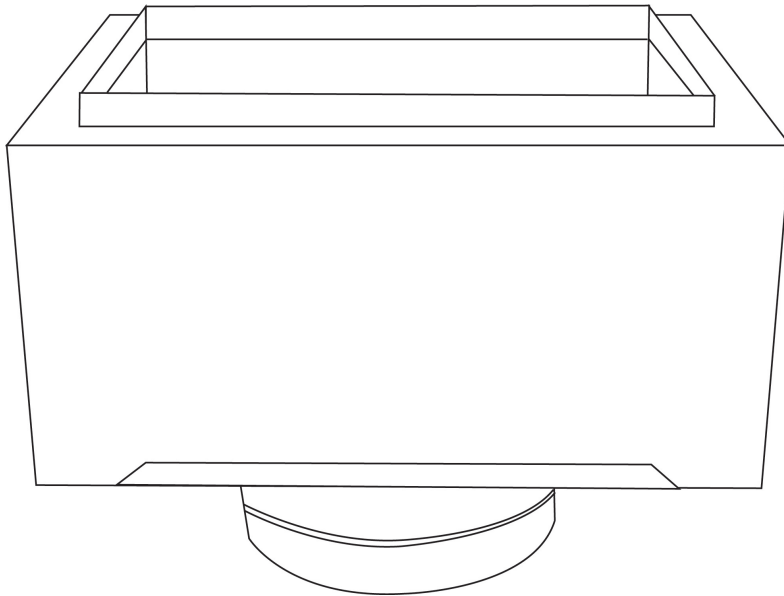
Philadelphia, PA • Greenville, SC • Indianapolis, IN • Southaven, MS • Fremont, NE • Caldwell, ID

Corporate Headquarters: 2800 Red Lion Road, Philadelphia PA 19114

tel: (800) 523-1052 • fax (800) 722-2076 • www.southwarkmetal.com

**SUBMITTAL DRAWING**

**INSULATED CEILING BOX with OUTLET  
(MODEL NO: 83)**



Base Size	Available Collar Sizes
4 x 8	4", 5", 6"
4 x 10	5", 6"
4 x 12	6", 7"
4 x 14	6", 7", 8"
6 x 6	5", 6"
6 x 10	5", 6", 7"
6 x 12	6", 7", 8"
6 x 14	6", 7", 8"
8 x 8	6", 7", 8"
10 x 10	7", 8", 9", 10"
12 x 12	8", 9", 10", 12"
14 x 14	10", 12", 14"

**NOTES**

- Material: Hot Dipped Galvanized Steel per ASTM A653 CS Type B
- 30 gauge
- 1/2" drywall flange
- 3" long collar with bead
- Liner available in R4 (1"), R6 (1 1/2") insulation

JOB NAME: \_\_\_\_\_  
 LOCATION: \_\_\_\_\_  
 ARCHITECT: \_\_\_\_\_  
 ENGINEER: \_\_\_\_\_  
 CONTRACTOR: \_\_\_\_\_

DATE: 8/21/13      SW-83MS      SD-0102

Insulated Ceiling Box with Outlet  
 MODEL NO: 83  
 Insulated Ceiling Box with Outlet (Liner) No Flange