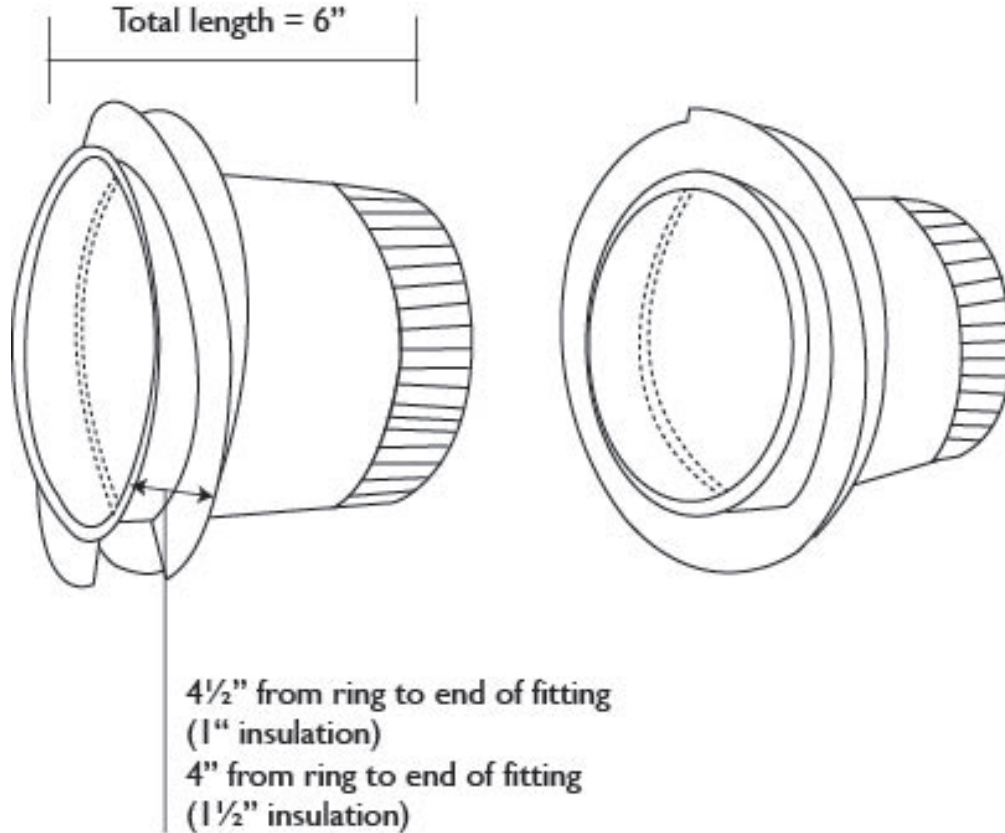




SUBMITTAL DRAWING

FIBERGLASS SPIN COLLAR (MODEL NO: 97FG)



NOTES

- Material: Hot Dipped Galvanized Steel per ASTM A653 CS Type B
- 28 gauge
- 4" to 20" diameters available
- Approximately 1 1/8" crimp

JOB NAME: _____
 LOCATION: _____
 ARCHITECT: _____
 ENGINEER: _____
 CONTRACTOR: _____

DATE: 03/21/12

SW-SCFGSC

SD-0010

Fiberglass Spin Collar
 MODEL NO: 97