



SOUTHWARK METAL MANUFACTURING COMPANY

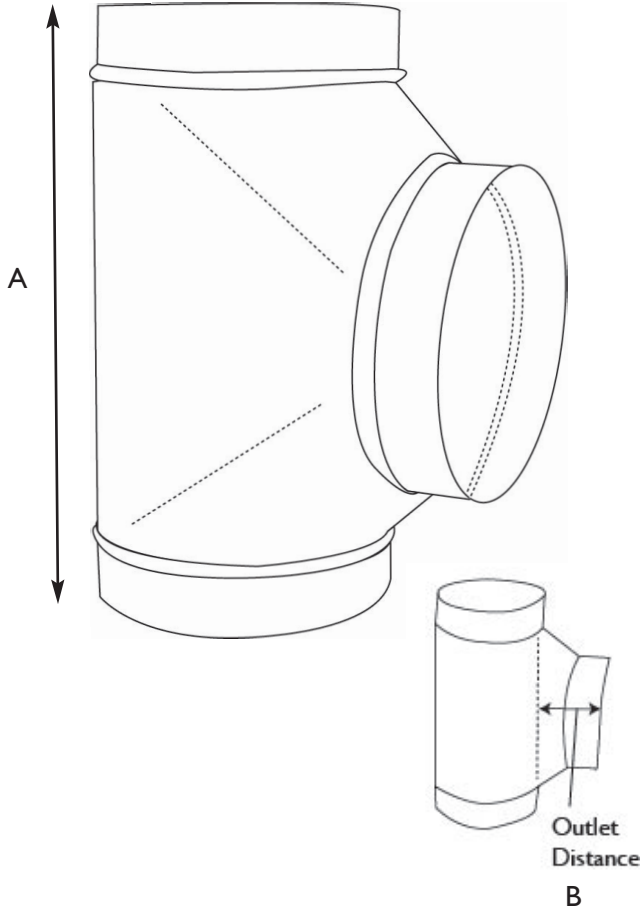
Philadelphia, PA • Greenville, SC • Indianapolis, IN • Southaven, MS • Fremont, NE • Caldwell, ID

Corporate Headquarters: 2800 Red Lion Road, Philadelphia PA 19114

tel: (800) 523-1052 • fax (800) 722-2076 • www.southwarkmetal.com

SUBMITTAL DRAWING

**SPIRAL TEE
(MODEL NO: SP54)**



Size	A	B	Size	A	B
4x4x4	12½"	-	16x16x8	28"	4"
5x5x4	12"	2½"	16x16x10	28"	4"
5x5x5	12¾"	2½"	16x16x12	28"	-
6x6x4	11¾"	2½"	16x16x14	22"	-
6x6x6	15"	3"	16x16x16	24½"	3½"
7x7x4	-	-	18x18x10	28"	5"
7x7x6	-	-	18x18x12	24"	-
7x7x7	14¾"	2½"	18x18x14	28"	5"
8x8x4	12¼"	2½"	18x18x16	32"	-
8x8x6	13¾"	2½"	18x18x18	32"	5½"
8x8x8	16¾"	2½"	20x20x10	28"	-
10x10x6	-	-	20x20x12	28"	-
10x10x8	18"	2¾"	20x20x14	22"	3½"
10x10x10	16¾"	2½"	20x20x16	28"	4"
12x12x6	20"	3½"	20x20x18	-	-
12x12x8	20"	3½"	20x20x20	30"	-
12x12x10	19"	4"	22x22x18	-	-
12x12x12	20"	3½"	22x22x20	-	-
14x14x6	16"	3½"	22x22x22	34"	4½"
14x14x8	22"	3½"	24x24x18	32"	5"
14x14x10	24"	-	24x24x20	-	-
14x14x12	24"	4"	24x24x22	-	-
14x14x14	23"	3½"	24x24x24	33"	3½"

NOTES

- Material: Hot Dipped Galvanized Steel per ASTM A653 CS Type B, G40 coating
- Also available by special request, Galvannealed Steel (paintable), per ASTM A653, A40 coating
- 26 Ga for 4x4x4 through 12x12x12;
24 Ga for 14x14x6 fittings and up
- Riveted connection, non-adjustable

- Outside dimension of each end diameter is approximately 1/8" under nominal size
- +/- 4" w.g. pressure rating

JOB NAME: _____
 LOCATION: _____
 ARCHITECT: _____
 ENGINEER: _____
 CONTRACTOR: _____

DATE: 10/17/12 | SW-SPTEEPHL | SD-0044
 Spiral Tee
 MODEL NO: SP54