

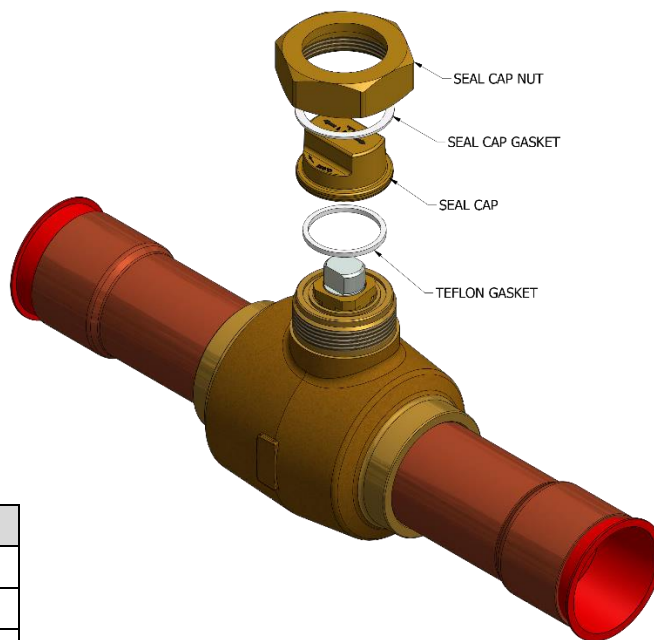


Instructions for Ball Valve Seal Cap Kit (587CAP-KIT, 594CAP-KIT, 596CAP-KIT)

**IMPORTANT: Read this sheet completely before proceeding.
Warranty is void if these instructions are not followed.**

Replacement of Ball Valve Seal Cap

1. Remove seal cap nut and discard seal cap, seal cap nut and seal cap gasket
2. Remove Teflon Gasket from body and discard
3. Insert new Teflon Gasket into groove on body
4. Place new seal cap over stem and on top of body. Care should be taken to ensure the Seal Cap touches the Gasket
5. Place Seal Cap Gasket over the Seal Cap
6. Place the Seal Cap nut on top of valve and tighten to 18-20 ft. lbs.



587CAP-KIT for 586 and 587 WA/WAS Ball Valves	
Part Number	Description
P587B-67	Seal Cap Nut
P587WA-43	Seal Cap Gasket
P586WA-31	Seal Cap
P587B-20T	Teflon Gasket

594CAP-KIT for 591, 592, 593 & 594 WA/WAS Ball Valves	
Part Number	Description
P590-67	Seal Cap Nut
P590-43	Seal Cap Gasket
P591WA-31	Seal Cap
P3060X5-20T	Teflon Gasket

596CAP-KIT for 595 and 596 WA/WAS Ball Valves	
Part Number	Description
P596WA-67	Seal Cap Nut
P596WA-43	Seal Cap Gasket
P596WA-31	Seal Cap
P596WA-20T	Teflon Gasket