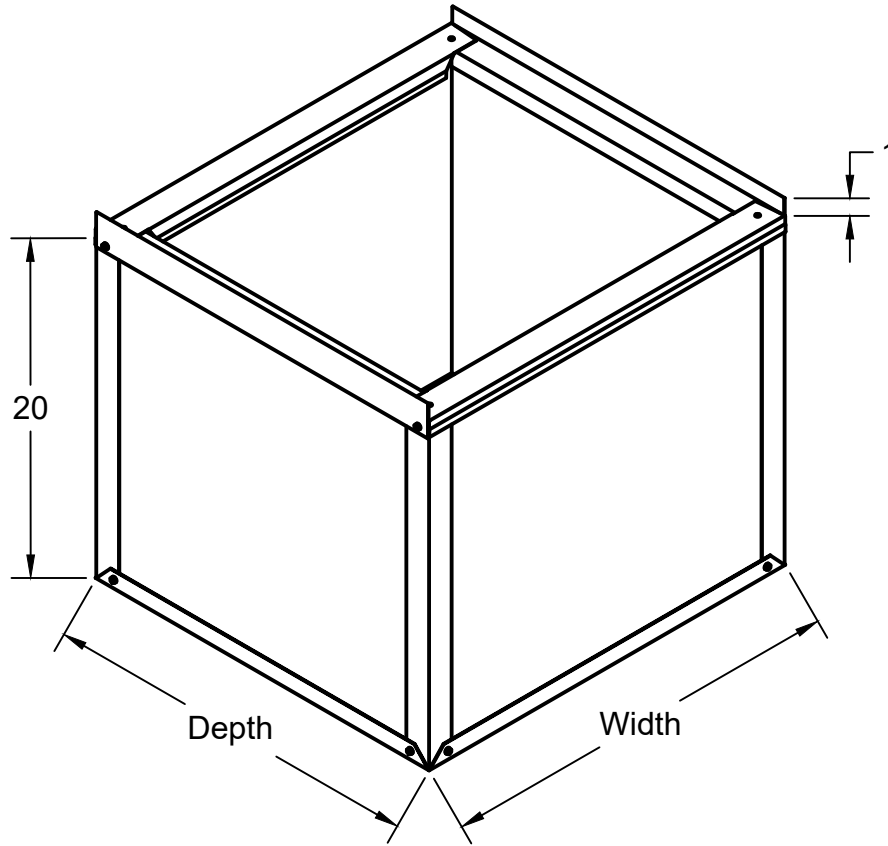


Dimensions in inches



Fits Goodman Equipment		
Part Number	Width	Depth
500-301	17.5"	21"
500-303	21"	21"
500-307	24.5"	21"
500-337	22"	24"

Part Number Fiberglass Return Air Stands

PRODUCT DESCRIPTION:

Our most popular Air Handler Stand.

Prefabricated platform for AHU's with ducted return systems.

Great for garages and other unconditioned spaces.

PRODUCT DATA:

Standard Features:

- 24 Gauge G90 Steel Frame
- Holds up to 300 Lbs
- Fully Insulated
- R-6 Antimicrobial Ductboard
- 1" Mounting Flange on two Sides
- Sizes for all Major Brands

THE METAL SHOP

APPROVED

CHECKED

DRAWN Colton Hunt 11/6/2019

SIZE

A

REV

SHEET

1/1

SCALE N/A