

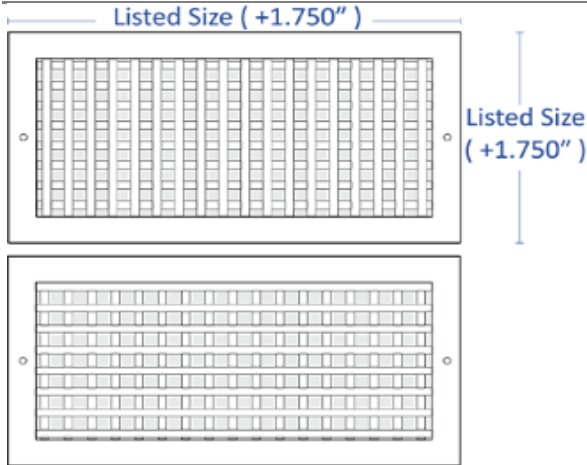
Submitted by: _____

Date: _____

Bar Type Supply

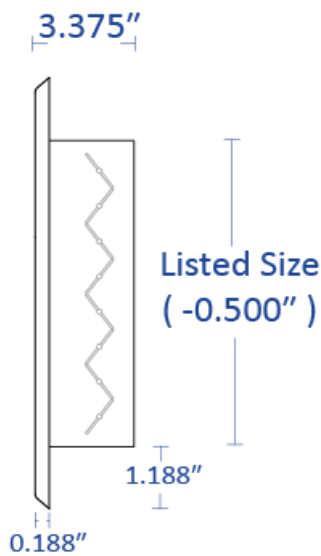
Side wall / Ceiling

Model:



Available Options

- Aluminum front
- Steel front
- Opposed Blade Damper
- Horizontal front bars
- Vertical front bars



Model Features

- Double deflection adjustable bars
- One piece frame (up to 14" x 10")
- Durable white powder coat finish

Material: Steel or Aluminum

Face: Adjustable Bar Type

Model Size:

Project Name: _____

Architect: _____

Project Location: _____

Engineer: _____

Contractor: _____