

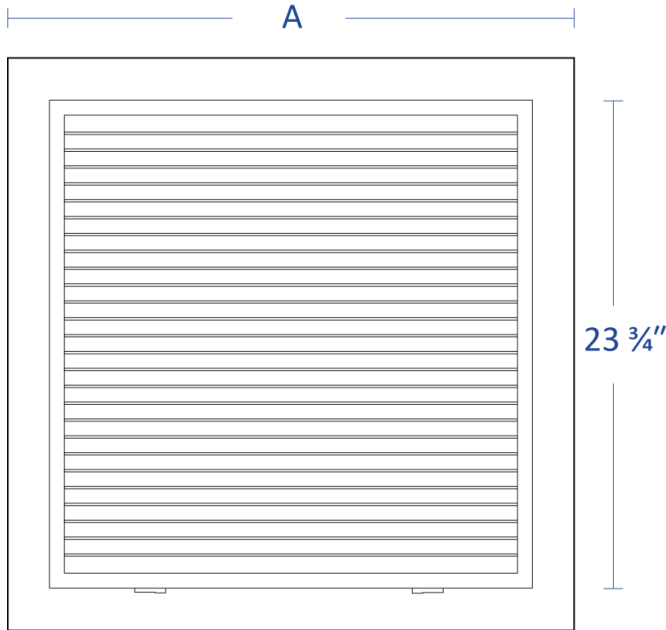
Submitted by: \_\_\_\_\_

Date: \_\_\_\_\_

T-Bar

Return Air Filter Grille

**Model:**



**Available Options**

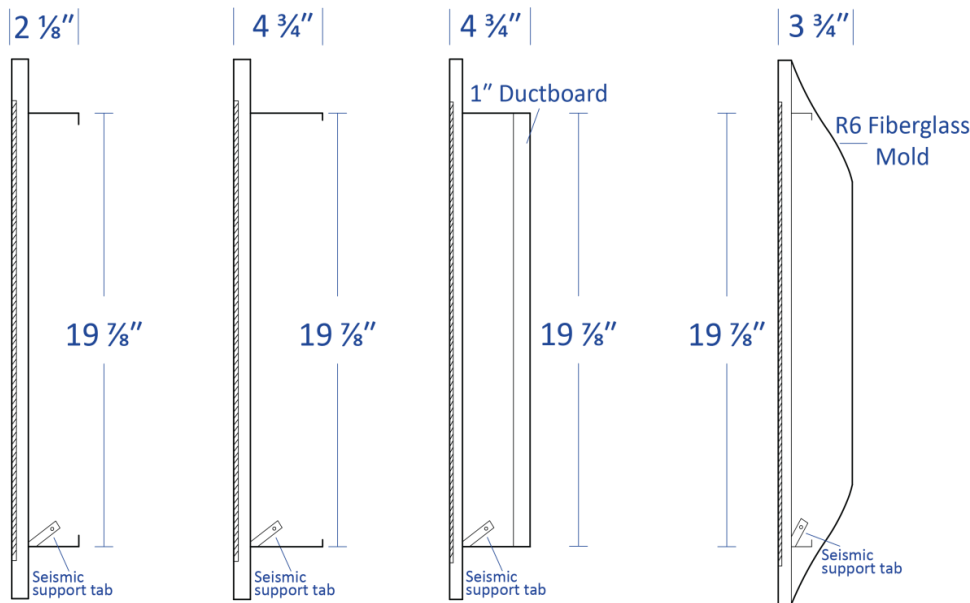
- Ductboard
- Molded R6 Insulation
- Accept 1" filter
- Accept 2" filter

**Available Sizes**

- 24" x 24" Nominal
- 24" x 48" Nominal

**Model Features**

- Hinged face
- 3/4" blade spacing
- Durable white powder coat finish



Size	Dim A
24" x 24"	23 3/4"
24" x 48"	47 3/4"

**Material:** Steel

**Face:** Fixed Bar

**Model Size:**

Project Name: \_\_\_\_\_  
 Project Location: \_\_\_\_\_  
 Contractor: \_\_\_\_\_

Architect: \_\_\_\_\_  
 Engineer: \_\_\_\_\_