

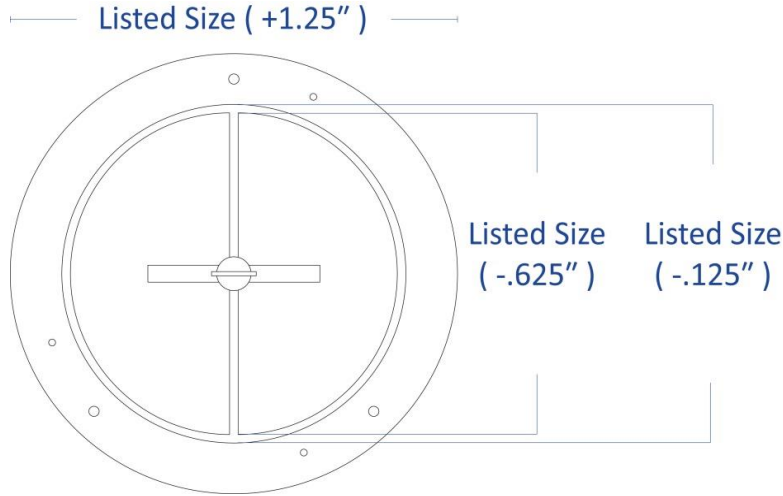
Submitted by: _____

Date: _____

Accessories

Butterfly Damper and Ring

Model:



Model Features

- Durable brown powder coat finish
- All steel construction
- Butterfly damper and installation ring

Material: Steel

Face: N/A

Model Size:

Project Name: _____

Architect: _____

Project Location: _____

Engineer: _____

Contractor: _____