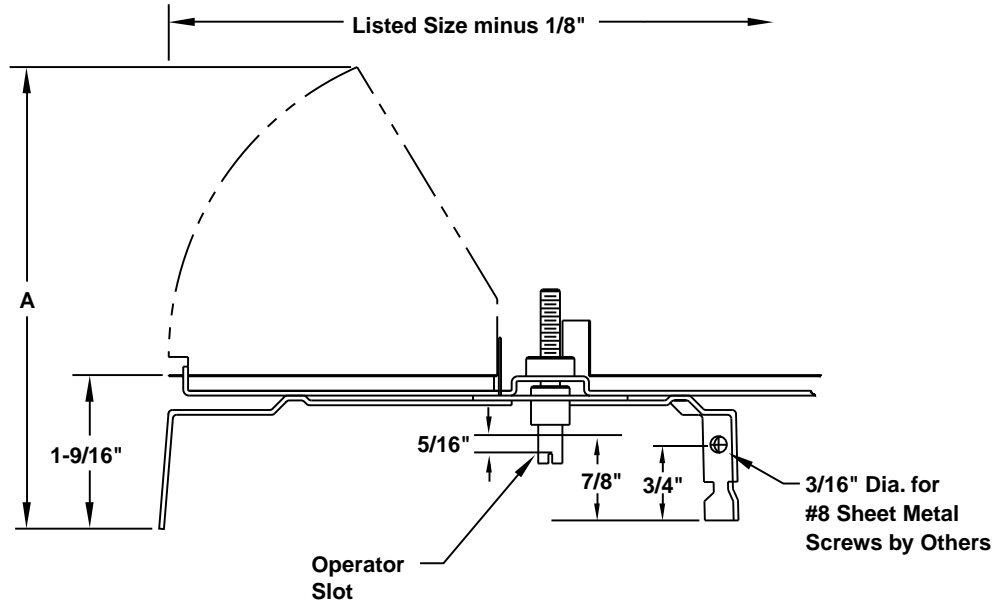


- The RON is a neck mounted round opposed blade damper
- Steel construction
- Screwdriver adjustable
- Gang operated blades distribute air evenly through the diffuser
- Not recommended for use in flexible duct applications
- Shipped loose, field installation is required
- Standard finish is mill



| | | | | |
|-------------|---|-------|-------|-------|
| Listed Size | 6 | 8 | 10 | 12 |
| A | 4 | 4-7/8 | 5-3/4 | 6-1/2 |

Dimensions are in inches, product information subject to change without notice

| | | | |
|-------------|---------------|---|---------|
| PROJECT: | SUBMITTED BY: | DATE: 7-23-01 | SD-1823 |
| ARCHITECT: | | <p>RON Round Opposed Blade Damper - Neck Mounted</p> | |
| ENGINEER: | | | |
| CONTRACTOR: | | | |
| LOCATION: | | | |