

S.A. / R.A. PLENUM CONSTRUCTION:

28 ga. galvanized steel, Button lock seams
Insulated with 1 1/2" (R6.2) fiberglass insulation, glued and pinned
Ship K.D. in three pieces, includes end cap

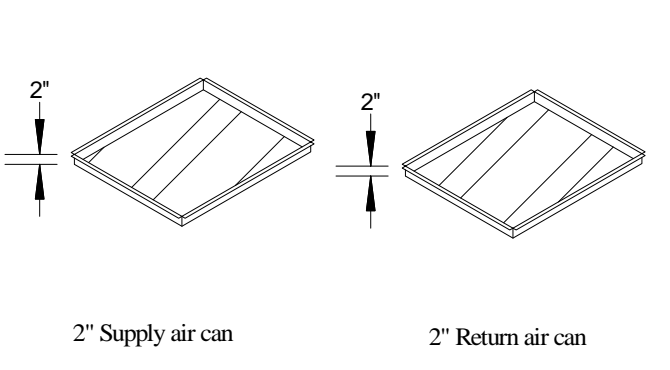
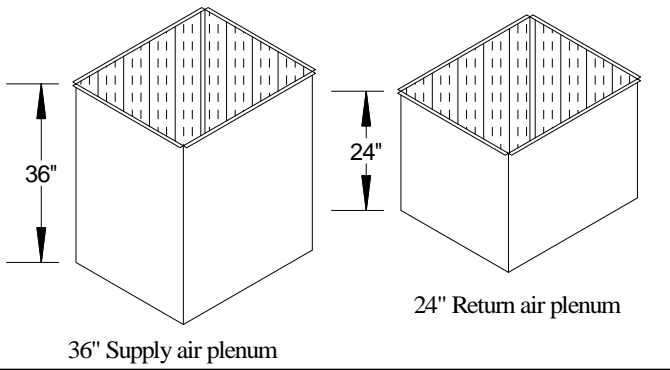
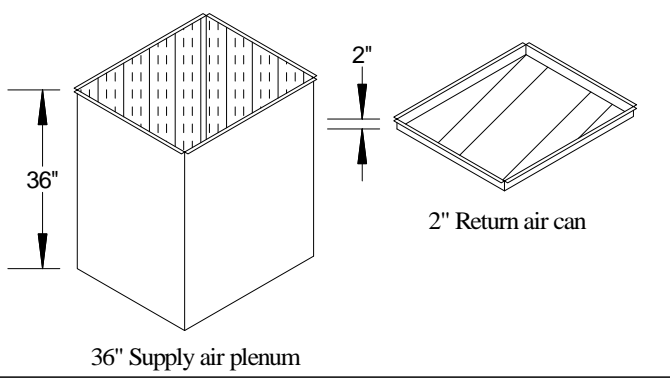
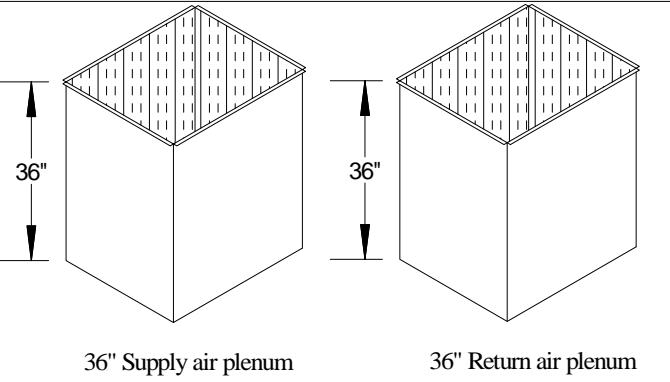
Fits Roof Curb Product #'s

MSMP2CS / 2DSA, MSMP21842C / 21836DA
CAL21842C / 21836DA, ADJ8-21842C / 21836DA
ADJ12-21842C / 21836DA

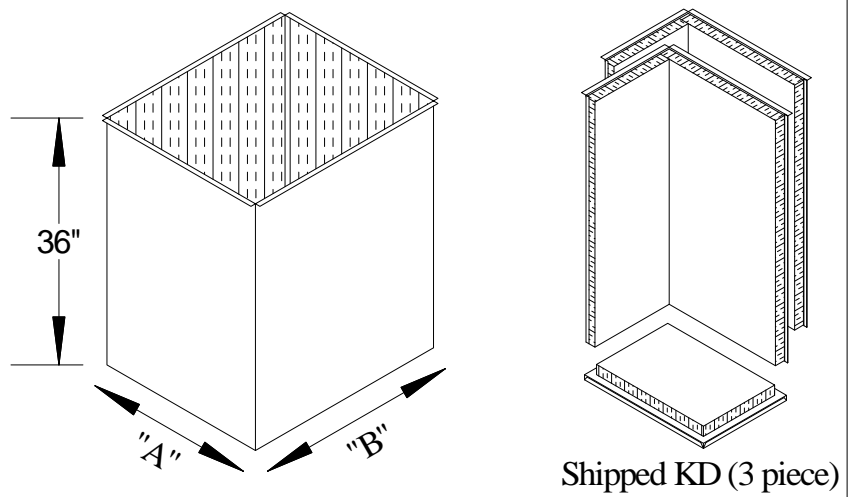
S.A. / R.A. CAN CONSTRUCTION:

28 ga. galvanized steel 2" deep with solid bottom

Common Duct Setup



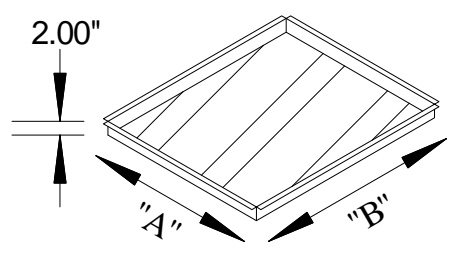
Insulated Supply and Return Air Plenums



Supply Air Plenum Dimensions A=16.375" B=16.375"
 Product # **T24S2CS3** (length=36")
 Other lengths available
 Product # **T24S2CS2** (length=24")
 Product # **T24S2CS4** (length=48")
 Product # **T24S2CS5** (length=60")

Return Air Plenum Dimensions A=16.375" B=20.50"
 Product # **T24R2CS3** (length=36")
 Other lengths available
 Product # **T24R2CS2** (length=24")
 Product # **T24R2CS4** (length=48")
 Product # **T24R2CS5** (length=60")

Uninsulated Supply and Return Air Cans



Supply Air Can Dimensions A=16.375" B=16.375"
 Product # **SAC2CS**
Return Air Can Dimensions A=16.375" B=20.50"
 Product # **RAC2CS**

Uni-Products Inc.

Adaptacurb.com

3315 Elkhorn Blvd
North Highlands, CA 95660

(800) 369-7017
(916) 348-3800 Ph (916) 348 3700 Fax

2013 Title24 Compliant