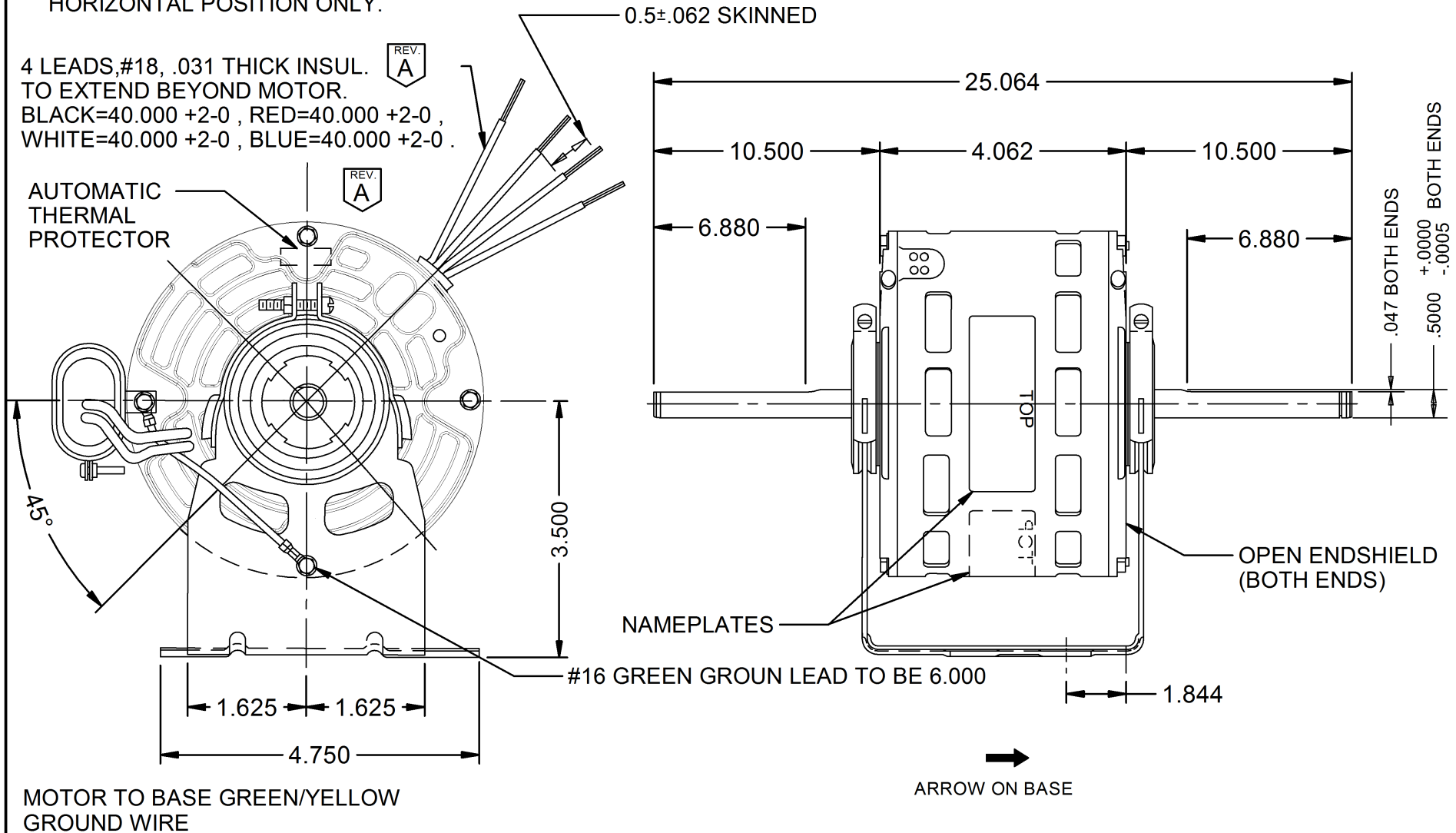


NOTE: MOTOR TO BE MOUNTED IN A HORIZONTAL POSITION ONLY.

4 LEADS, #18, .031 THICK INSUL. TO EXTEND BEYOND MOTOR.
 BLACK=40.000 +2-0, RED=40.000 +2-0, WHITE=40.000 +2-0, BLUE=40.000 +2-0.



MOTOR TO BASE GREEN/YELLOW GROUND WIRE

NIDEC MOTOR CORPORATION 22-May-13

MODEL	REF	CUSTOMER	HP	VOLTS	AMPS	HZ	RPM	ROTATION	CUSTOMER PN
K48HXWGT-0198	A33056-X3	NIDEC MOTOR CANADA CORPORATION	1/6	115	2.3	60	1500/3 SPD	CW. LEAD END	1192

SHEET NUMBER	REV	REVISION RECORD FOR: C7682-00			
1 OF 1	A	CHANGED LENGTH OF LEADS IN NOTE			
		CHANGED POSITION OF SCREW 180°			
REVISION DATE	22-MAY-13				
ISSUED BY	A. SANCHEZ	REVIEWED BY	B. GAITAN	ENGINEER APPROVED	L. VILLARREAL

INFORMATION DISCLOSED ON THIS DOCUMENT IS CONSIDERED PROPRIETARY AND SHALL NOT BE REPRODUCED OR DISCLOSED WITHOUT WRITTEN CONSENT OF NIDEC MOTOR CORPORATION	
ALL DIMENSIONS ARE FOR REFERENCE ONLY UNLESS TOLERANCE IS GIVEN	
TITLE	ASSEMBLED VIEW
CODE	V01
ITEM NO.	791825
SIZE	A

NIDEC MOTOR CORPORATION	
TITLE	ASSEMBLED VIEW
CODE	V01
ITEM NO.	791825
SIZE	A