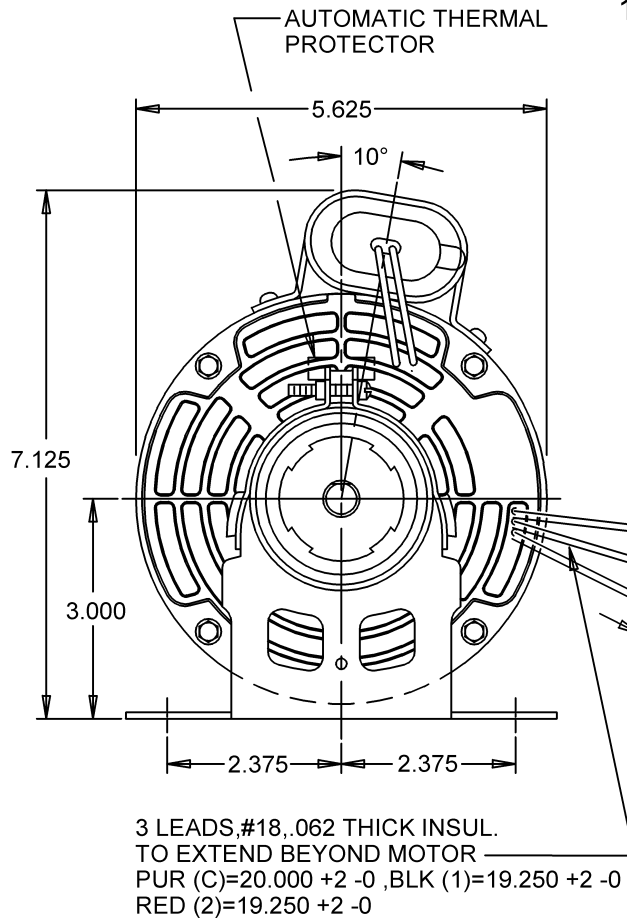
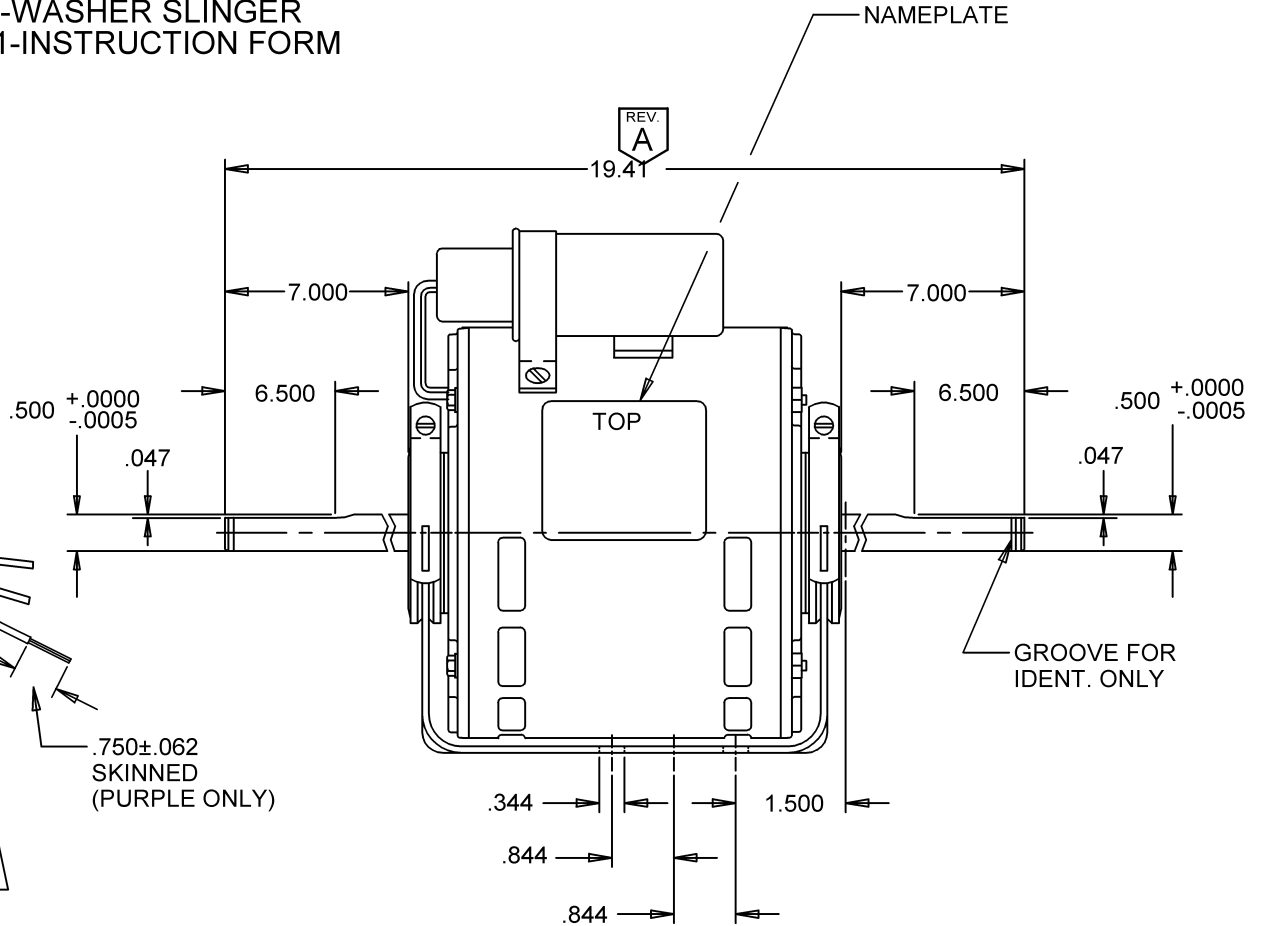


SUPPLIED DETACHED
1-WASHER SLINGER
1-INSTRUCTION FORM



FIGURES TO BE PRINTED ON LEADS.



© EMERSON ELECTRIC CO. 2/10/2006

REV. A

MODEL	REF.	CUSTOMER	HP.	VOLTS	AMPS	HZ.	R.P.M.	ROTATION	CUST. PT. NO.
K55HXJBA-4998		STANDARD	1/4	115	4.4	60	1075/2SPD	CCW LEAD END	1244

SHEET NUMBER	REV	REVISION RECORD FOR: ECO#229239
1 OF 1	A	MODEL NO. IS CORRECTED
		TOTAL LENGTH ROUNDED OFF TO 2 DIGITS
		AMPS. VALUE ADDED.
		ROTATION CORRECTED.
REVISION DATE		
2-10-06		

INFORMATION DISCLOSED ON THIS DOCUMENT IS CONSIDERED PROPRIETARY AND SHALL NOT BE REPRODUCED OR DISCLOSED WITHOUT WRITTEN CONSENT OF EMERSON ELECTRIC COMPANY.

ALL DIMENSIONS ARE FOR REFERENCE ONLY UNLESS TOLERANCE IS GIVEN.			
TITLE	CODE	ITEM NO.	SIZE
ASSEMBLED VIEW	V01	753769	A

ISSUED BY	REVIEWED BY	ENGINEER APPROVED
ASSAN	J.PATIL	R.MORE