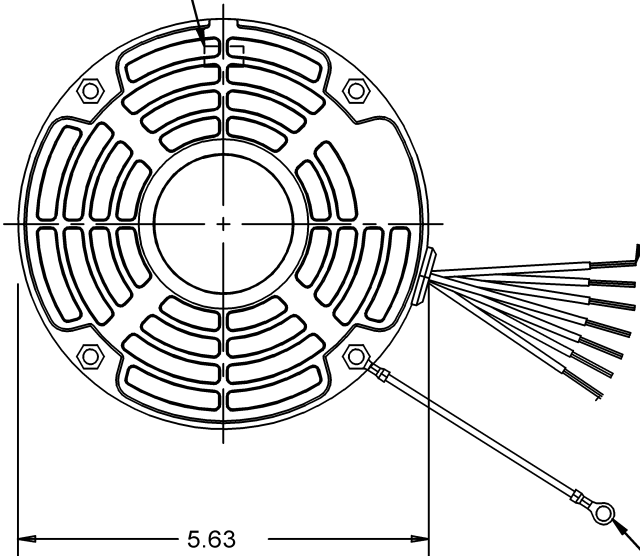


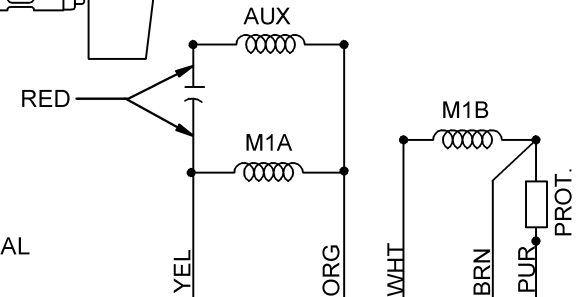
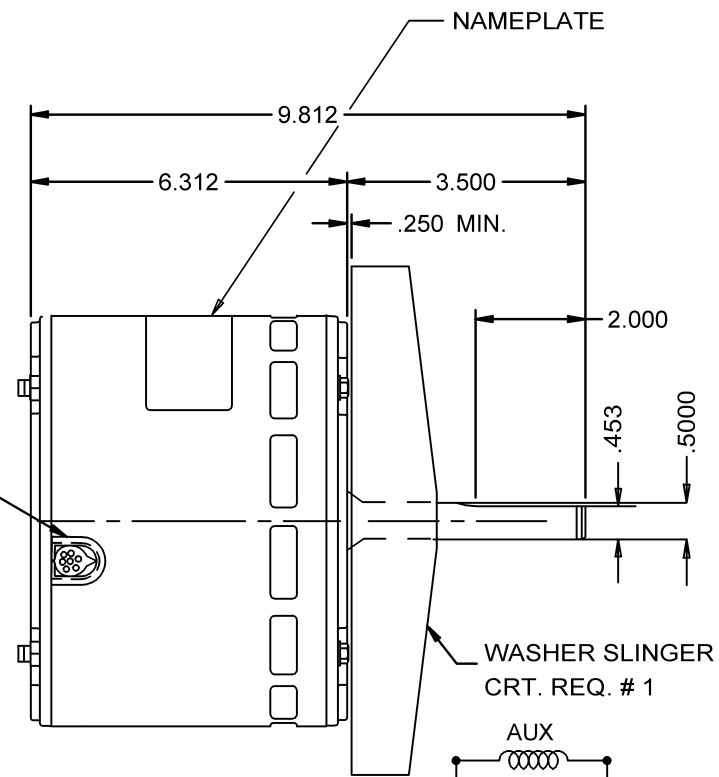
AUTOMATIC  
THERMAL  
PROTECTOR

7 LEADS # 18, .062 THICK INSUL  
.500 STRIPPED, EXTEND BEYOND  
MOTOR:  
PUR= 36.0, WHT= 36.0,  
(2) RED= 36.0, ORG= 36.0,  
YEL= 36.0, BRN= 36.0



GROMMET

GREEN GROUND LEAD#16,  
.031 THICK INSUL TO BE  
10" BETWEEN CENTER OF  
TERMS. TERM TO FIT 5/16 STUD TERMINAL



LOW VOLTAGE  
LINE - PUR  
LINE - YEL & WHT  
JUMPER BRN & ORG

HIGH VOLTAGE  
LINE - PUR  
LINE - YEL  
JUMPER WHT & ORG  
ISOLATE BRN

NOTE: SUPPLY WASHER SLINGER - DETACHED

NIDEC MOTOR CORPORATION 13-Nov-12

MODEL	REF	CUSTOMER	HP	VOLTS	AMPS	HZ	RPM	ROTATION	CUSTOMER PN	
K55HXCLG-1465		WHOLESALE - HAC	3/4 & 1/2	208-230 / 460 & 380	4.6/2.3	60 & 50	1075 & 925	C.CW. LEAD END	1254	
SHEET NUMBER 1 OF 1	REV A	REVISION RECORD FOR: C6402-01 UPDATED ENGINEER APPROVED TO B. GAITAN			INFORMATION DISCLOSED ON THIS DOCUMENT IS CONSIDERED PROPRIETARY AND SHALL NOT BE REPRODUCED OR DISCLOSED WITHOUT WRITTEN CONSENT OF NIDEC MOTOR CORPORATION				<b>NIDEC MOTOR CORPORATION</b>	
REVISION DATE										
13-NOV-12										
ALL DIMENSIONS ARE FOR REFERENCE ONLY UNLESS TOLERANCE IS GIVEN										
ISSUED BY R. MORALES	REVIEWED BY M. LARGENT	ENGINEER APPROVED B. GAITAN	REV A	TITLE ASSEMBLED VIEW				CODE V01	ITEM NO. 793743	SIZE A