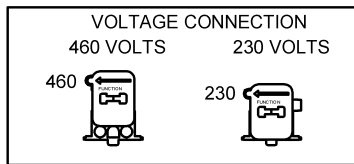


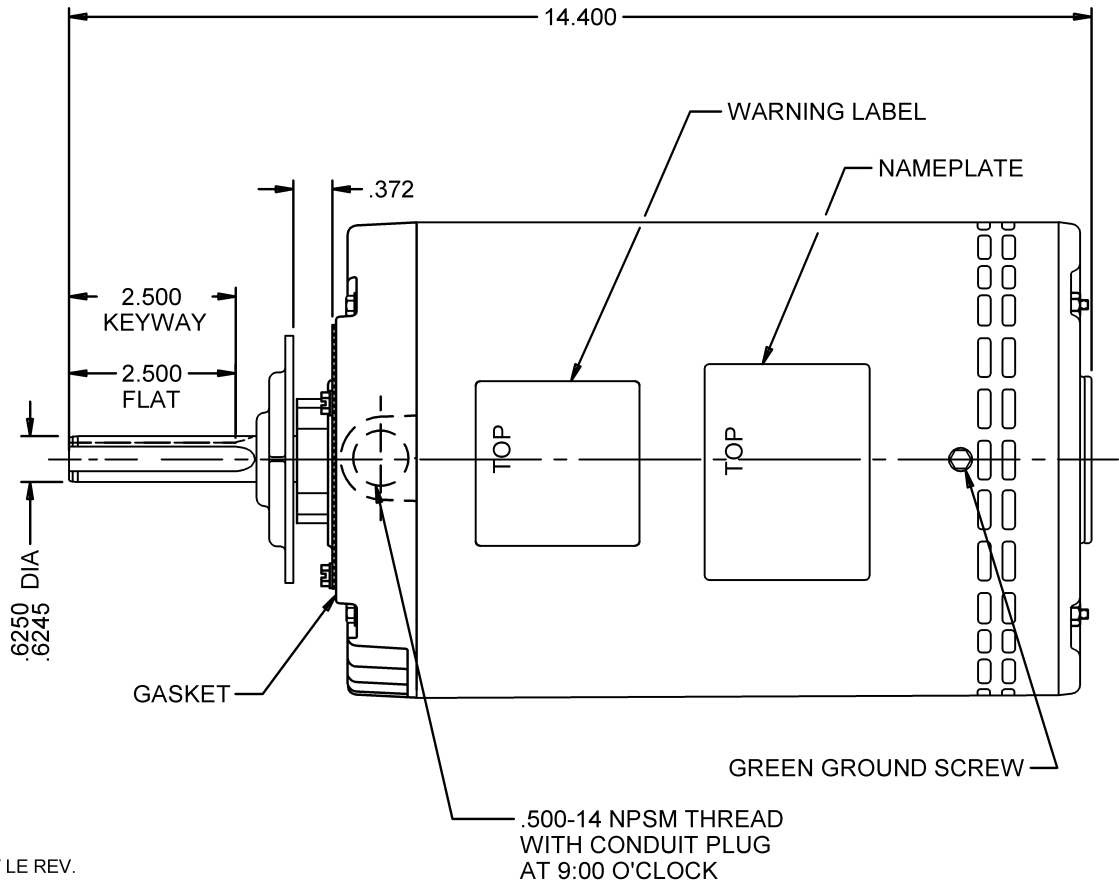
.517
.502



ROTATION: CW LE REV.
WHEN PHASED AS SHOWN.

- L1 -- LINE 1
- L2 -- LINE 2
- L3 -- LINE 3

SHAFT KEY TAPED TO MOTOR



NIDEC MOTOR CORPORATION 28-Jul-14

MODEL	REF	CUSTOMER	HP	VOLTS	AMPS	HZ	RPM	ROTATION	PROTECTOR
P63ZZELW-5034	A29462-X2	WHOLESALE-HAC	1/2	208-230/460 &190/380	3.2-3.1/1.6 & 3.5/1.7	60 & 50	575 & 475	REVERSIBLE	AUTO
									CUSTOMER PN
									1260

SHEET NUMBER	REV	REVISION RECORD FOR: D1619-00	
1 OF 1	C	ADDED NOTE OF "TERMINAL COVER GASKET".	
REVISION DATE			
28-JUL-14			

INFORMATION DISCLOSED ON THIS DOCUMENT IS CONSIDERED PROPRIETARY AND SHALL NOT BE REPRODUCED OR DISCLOSED WITHOUT WRITTEN CONSENT OF NIDEC MOTOR CORPORATION

NIDEC MOTOR CORPORATION

ISSUED BY	REVIEWED BY	ENGINEER APPROVED
I. GUTIERREZ	M. GUZMAN	B. GAITAN

ALL DIMENSIONS ARE FOR REFERENCE ONLY UNLESS TOLERANCE IS GIVEN			
TITLE	CODE	ITEM NO.	SIZE
ASSEMBLED VIEW	V01	793956	A