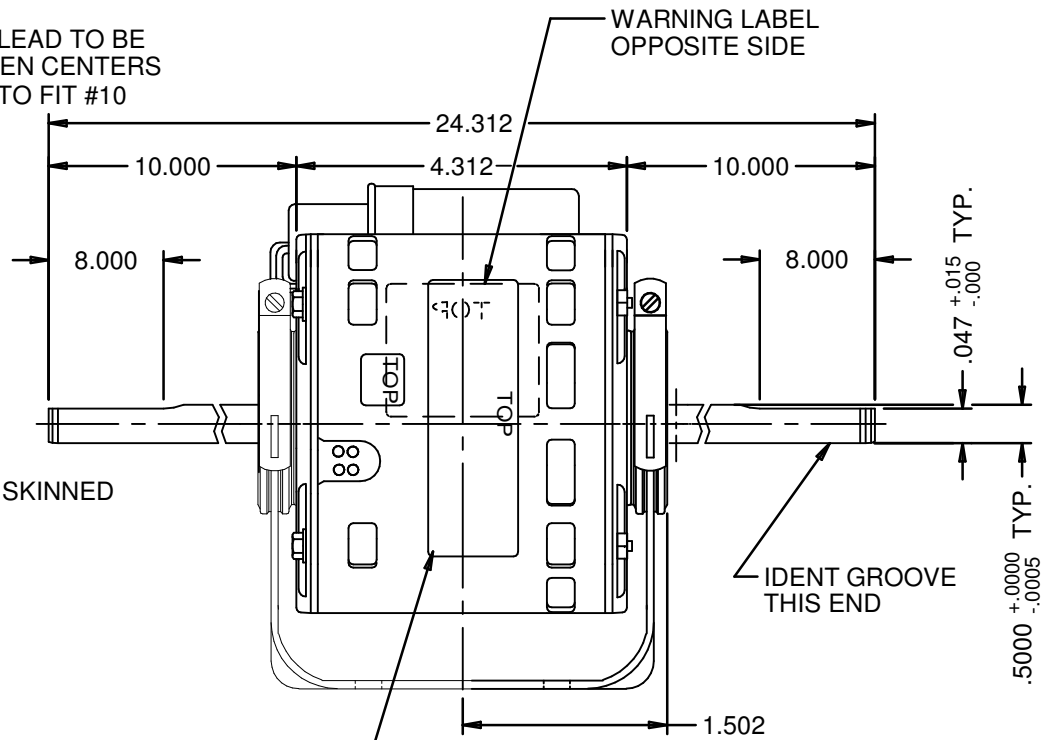


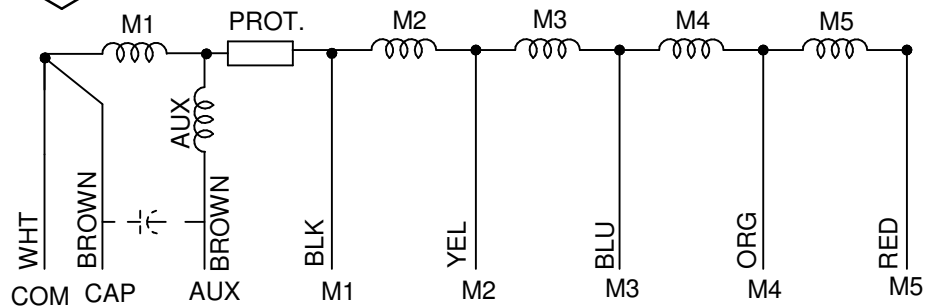
6 LEADS, #18, .031 THICK INSUL. TO EXTEND BEYOND MOTOR.  
 WHITE =54.000+3-0, BLACK =54.000+3-0  
 YELLOW =54.000+3-0, BLUE =54.000+3-0  
 ORANGE =54.000+3-0, RED =54.000+3-0

REV. D



REV. D

NAMEPLATE



NIDEC MOTOR CORPORATION 27-Mar-14

CAPACITOR  
 5 MFD, 370 VAC

MODEL	REF	CUSTOMER	HP	VOLTS	AMPS	HZ	RPM	ROTATION	CUSTOMER PN
K48HXWGM-0192	A32829	NIDEC MOTOR CANADA CORPORATION	1/10	115	2.5	60	1050/5 SPD	CW LEAD END	2832

SHEET NUMBER	REV	REVISION RECORD FOR: C9921-00
1 OF 1	D	CHANGED NOTES
REVISION DATE		
27-MAR-14		

INFORMATION DISCLOSED ON THIS DOCUMENT IS CONSIDERED PROPRIETARY AND SHALL NOT BE REPRODUCED OR DISCLOSED WITHOUT WRITTEN CONSENT OF NIDEC MOTOR CORPORATION

**NIDEC MOTOR CORPORATION**

ALL DIMENSIONS ARE FOR REFERENCE ONLY UNLESS TOLERANCE IS GIVEN

ISSUED BY	REVIEWED BY	ENGINEER APPROVED
S. CORONEL	B. GAITAN	B. GAITAN

TITLE  
ASSEMBLED VIEW

CODE	ITEM NO.	SIZE
V01	790820	A