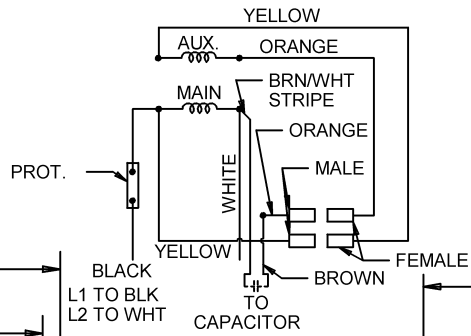
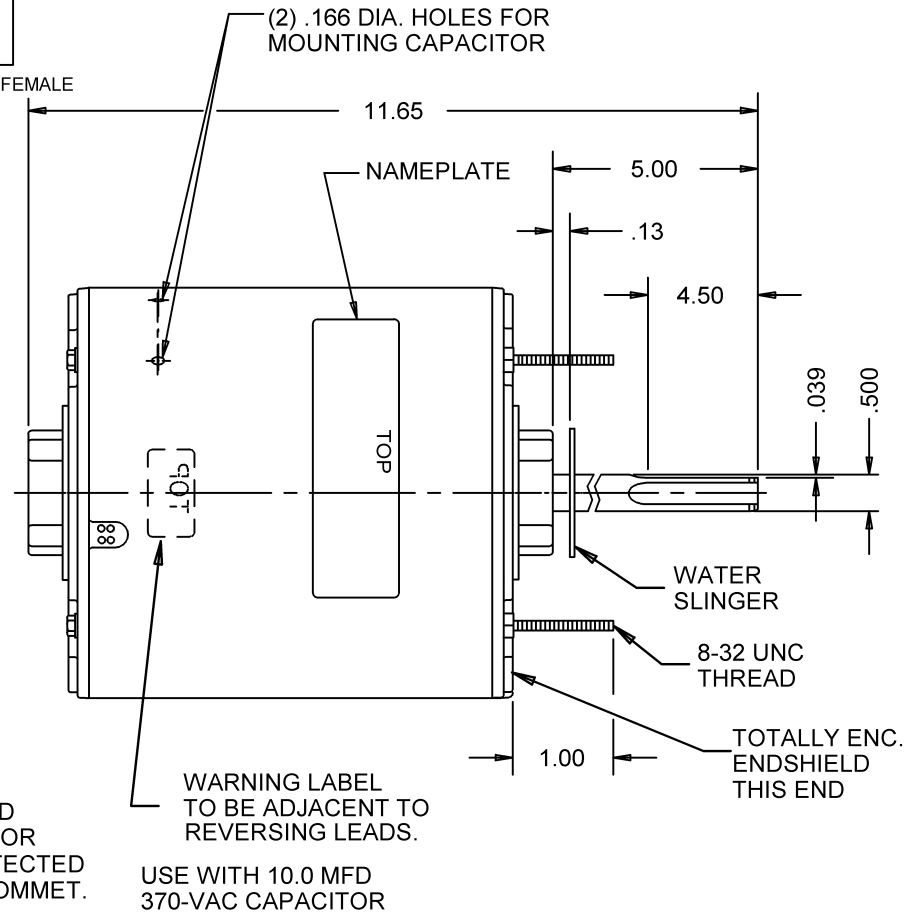
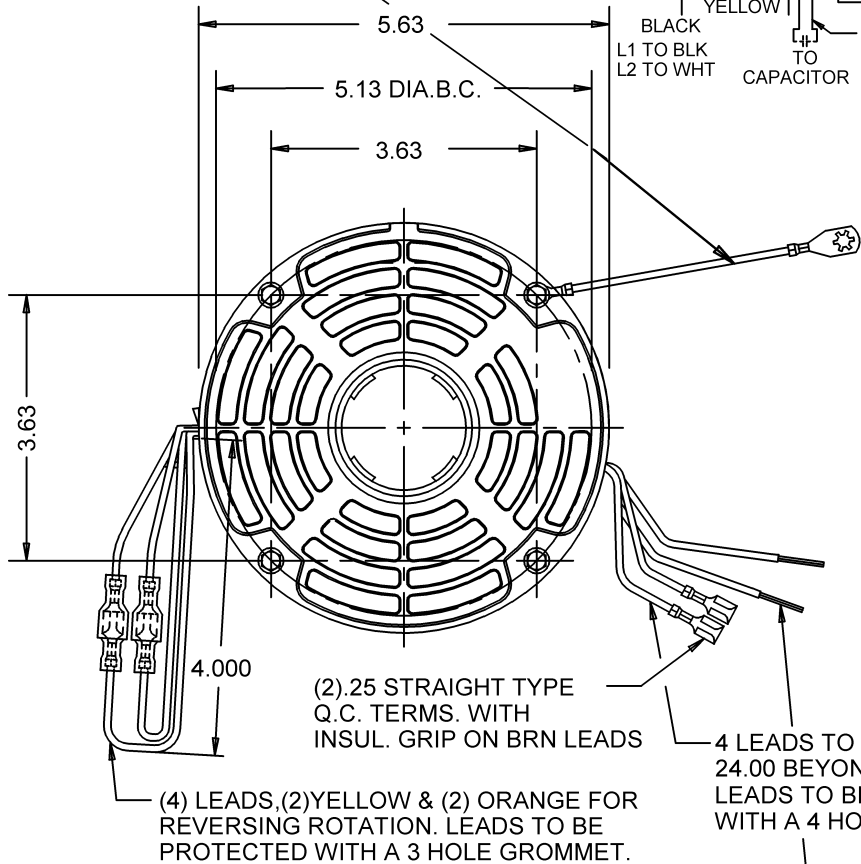


#16 GRN/YEL GROUND LEAD TO BE 12.00 BETWEEN CENTERS OF TERMS. TERM. TO FIT #10 SCREW



ROTATION IS C.CW VIEWING LEAD END WITH ORG. TO ORG. & YEL. TO YEL. TO REVERSE ROTATION INTERCHANGE ORG. & YEL. LEADS



NIDEC MOTOR CORPORATION 15-Oct-12

MODEL	REF	CUSTOMER	HP	VOLTS	AMPS	HZ	RPM	PROTECTOR	BEARING
K55HXSPH-9906		STANDARD	3/4	208-230	4.7	60	1075	AUTOMATIC	SLEEVE
								ROTATION	CUSTOMER PN
								CCW LEAD END REV	3097

SHEET NUMBER 1 OF 1	REV E	REVISION RECORD FOR: C6404-00		
		UPDATED ENGINEER APPROVED TO B. GAITAN		
REVISION DATE				
15-OCT-12				
ISSUED BY	REVIEWED BY	ENGINEER APPROVED	REV E	
R. MORALES	M. LARGENT	B. GAITAN		

INFORMATION DISCLOSED ON THIS DOCUMENT IS CONSIDERED PROPRIETARY AND SHALL NOT BE REPRODUCED OR DISCLOSED WITHOUT WRITTEN CONSENT OF NIDEC MOTOR CORPORATION

ALL DIMENSIONS ARE FOR REFERENCE ONLY UNLESS TOLERANCE IS GIVEN

TITLE
ASSEMBLED VIEW

NIDEC MOTOR CORPORATION		
CODE V01	ITEM NO. 753090	SIZE A