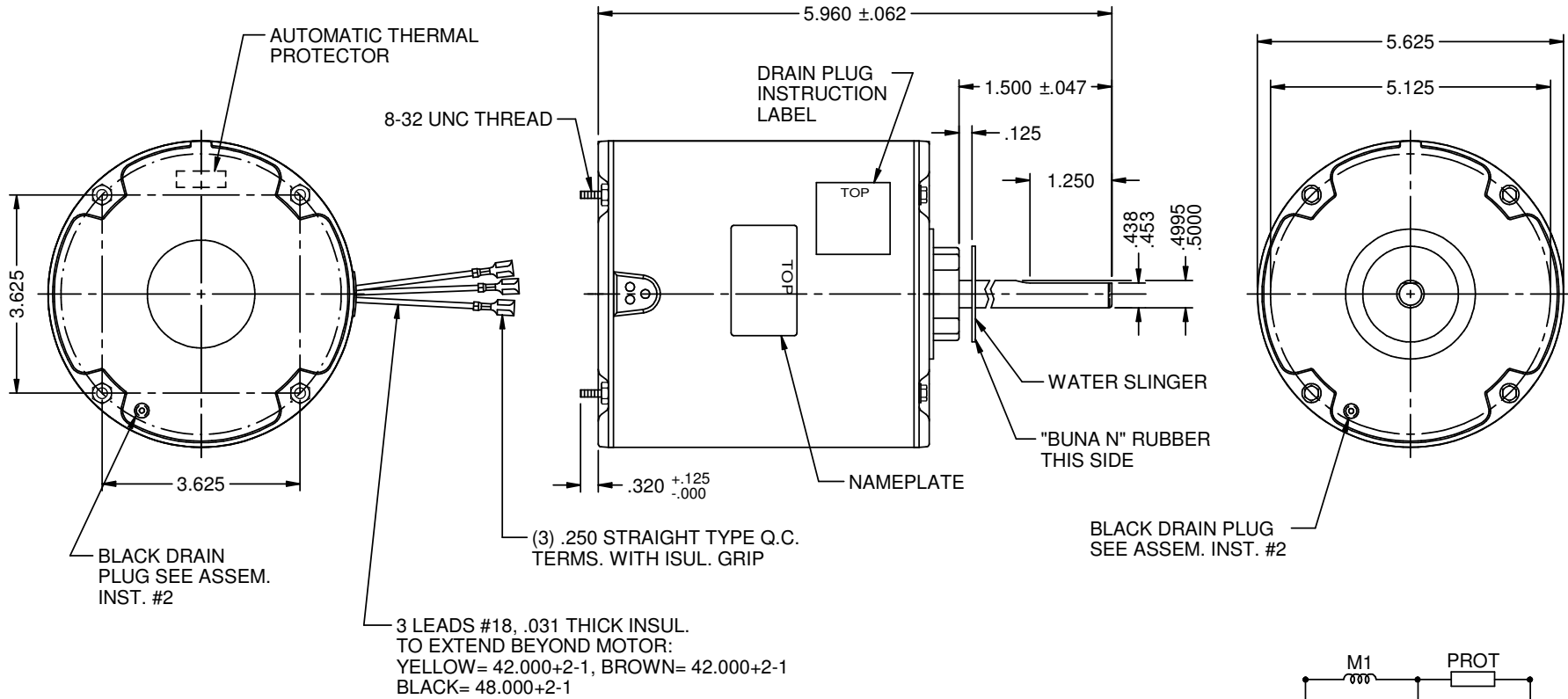
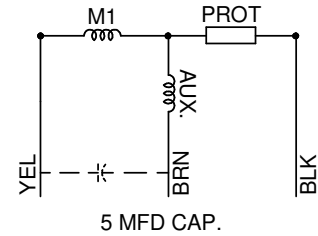


MODEL	REF	CUSTOMER	HP	VOLTS	AMPS	HZ	RPM	ROTATION	CAT. NO.	DESCRIPTION / REMARKS
K55HXSWJ-7926		STANDARD	1/4	208-230	1.8	60	1100	CW LEAD END	3403	

REV. A



TOTALLY ENCLOSED



REFER TO S.E.I.M. 24-1

NIDEC MOTOR CORPORATION 17-Oct-18

REVISION RECORD FOR:		E32572
CHANGED ROTATION FROM "CCW LEAD END" TO "CW LEAD END".		
ISSUED BY:	G. ISASSI	ENGINEER APPROVED:
		C. LUGO

DIMENSIONS ARE FOR REFERENCE ONLY

UNLESS TOLERANCE IS SPECIFIED

**NIDEC MOTOR CORPORATION**

INFORMATION DISCLOSED ON THIS DOCUMENT IS CONSIDERED PROPRIETARY AND SHALL NOT BE REPRODUCED OR DISCLOSED WITHOUT WRITTEN CONSENT OF NIDEC MOTOR CORPORATION

REVISION DATE: 17-OCT-18

TITLE	CODE	ITEM NO.	REV	SHEET NUMBER	DWG SIZE
CUSTOMER DETAIL DRAWING	V02	815757	A	1 OF 3	B