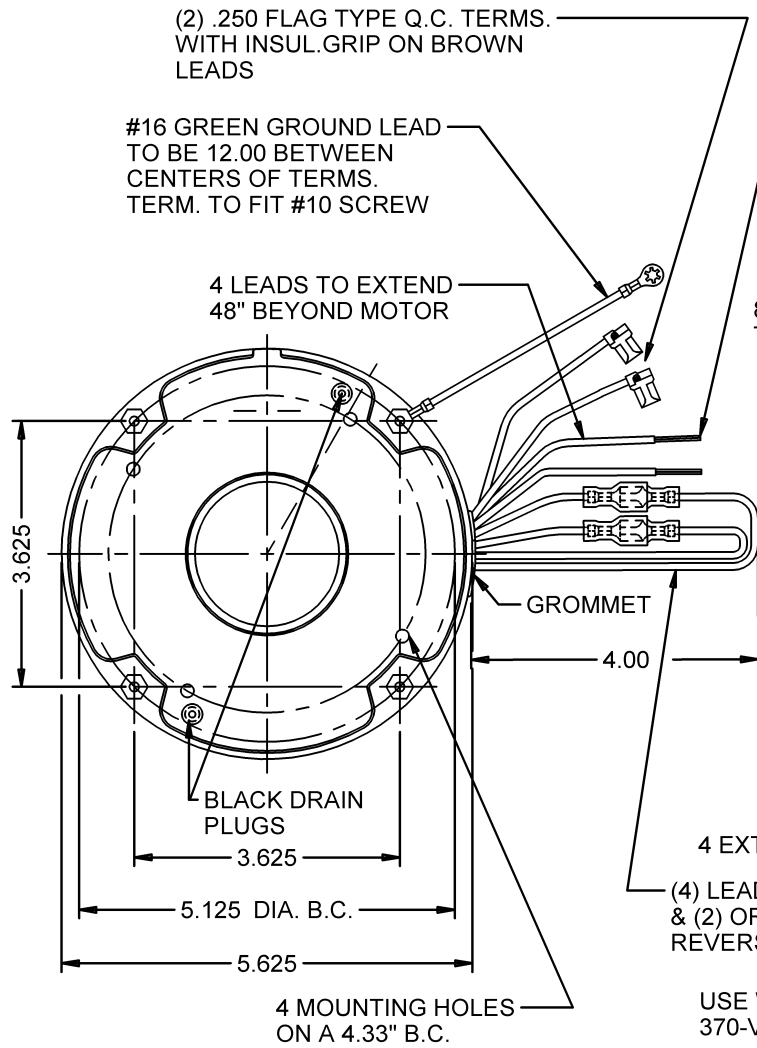


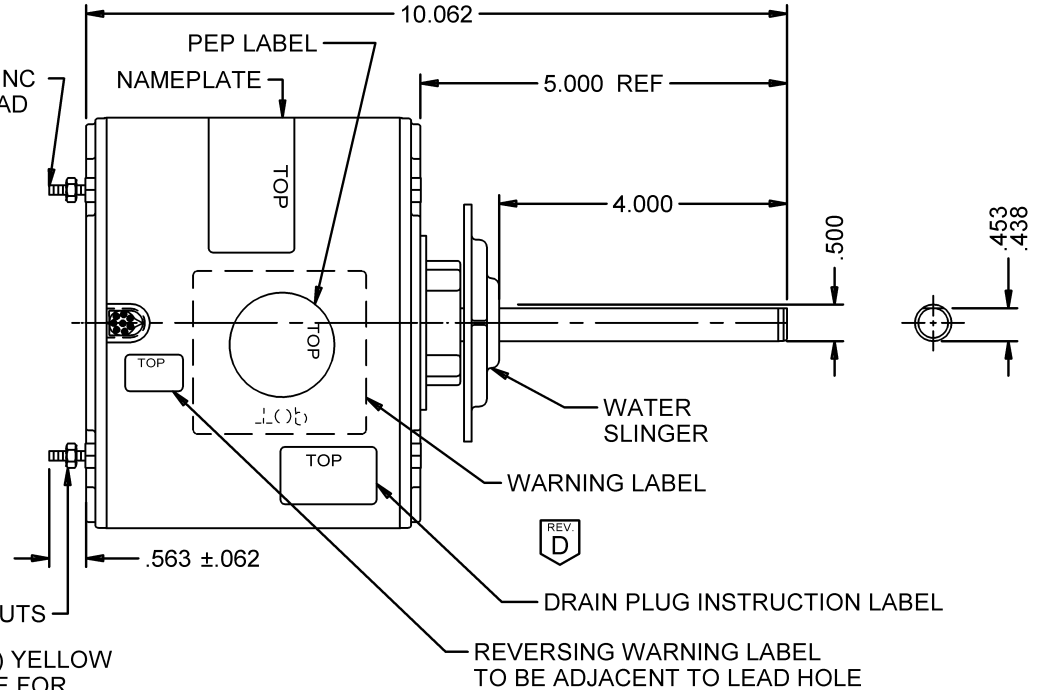
ROTATION IS C.CW VIEWING LEAD END WITH
ORG. TO ORG. & YEL. TO YEL. TO REVERSE
ROTATION INTERCHANGE ORG. & YEL. LEADS

CONNECTIONS
LINE-BLACK
COMMON-WHITE
CAP BETWEEN
BRN & BRN/WHT LEADS



LEADS SKINNED .75

8-32 UNC
THREAD



(4) LEADS, (2) YELLOW
& (2) ORANGE FOR
REVERSING ROTATION.

USE WITH 7.5 MFD
370-VAC CAPACITOR

TOTALLY ENCLOSED

NOTE: 4 SCREWS INCLUDED
IN CARTON

NIDEC MOTOR CORPORATION 19-Jun-13

MODEL	REF	CUSTOMER	HP	VOLTS	AMPS	HZ	RPM	ROTATION	CUSTOMER PN
K55HXWRL-0125	A31012	WHOLESALE - HAC	1/3	460	1.0	60/50	1115	CCW LEAD END REV	3737PEP

SHEET NUMBER	REV	REVISION RECORD FOR: C7803-30		
1 OF 1	D	DELETED NOTE.		
REVISION DATE				
19-JUN-13				
ISSUED BY	REVIEWED BY	ENGINEER APPROVED		
R. MORALES	N. CALVIN	B. GAITAN		

INFORMATION DISCLOSED ON THIS DOCUMENT
IS CONSIDERED PROPRIETARY AND SHALL NOT BE
REPRODUCED OR DISCLOSED WITHOUT WRITTEN
CONSENT OF NIDEC MOTOR CORPORATION

**NIDEC MOTOR
CORPORATION**

ALL DIMENSIONS ARE FOR REFERENCE ONLY UNLESS TOLERANCE IS GIVEN

TITLE	CODE	ITEM NO.	SIZE
ASSEMBLED VIEW	V01	782013	A