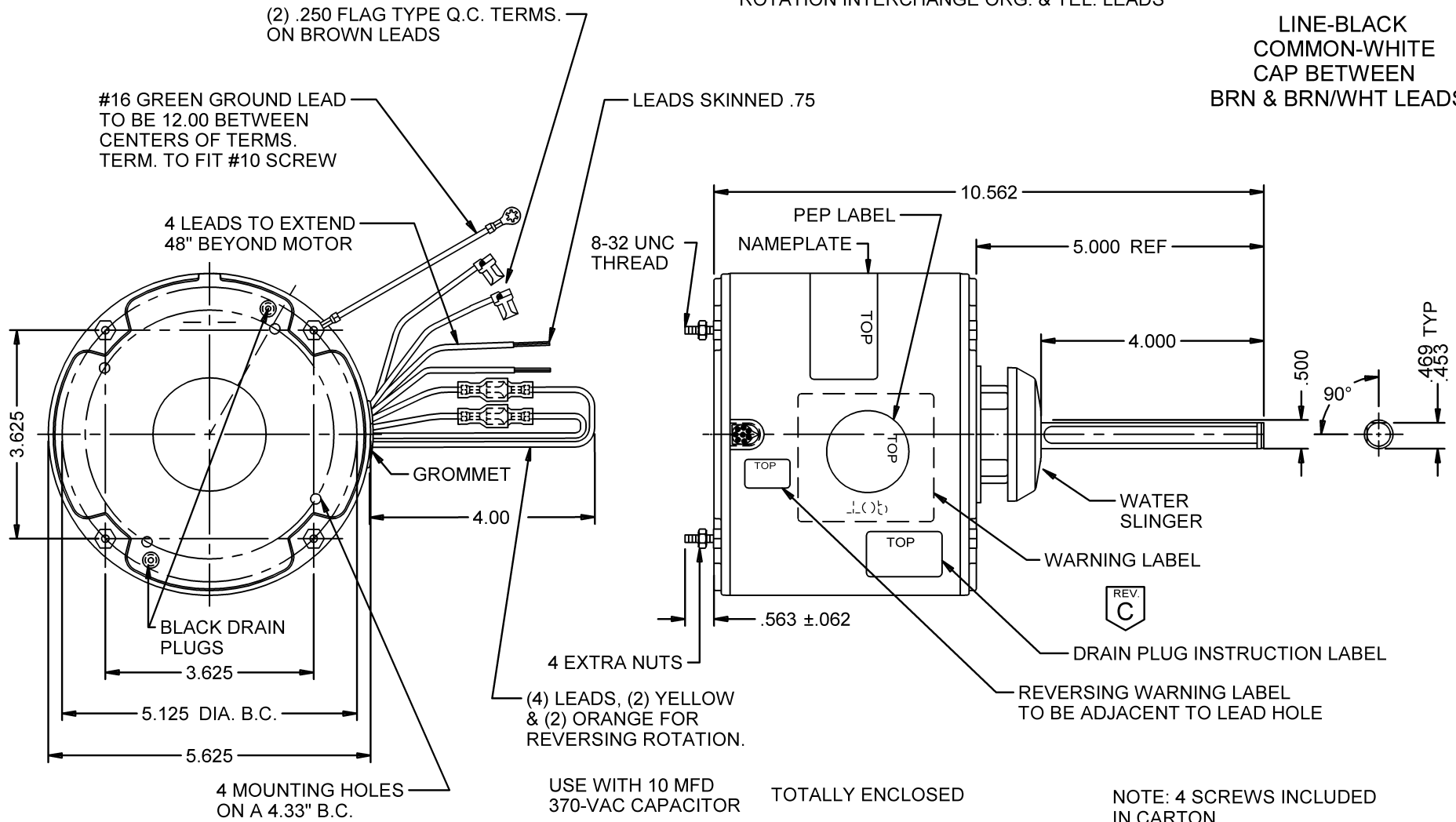


ROTATION IS C.CW VIEWING LEAD END WITH
ORG. TO ORG. & YEL. TO YEL. TO REVERSE
ROTATION INTERCHANGE ORG. & YEL. LEADS

CONNECTIONS
LINE-BLACK
COMMON-WHITE
CAP BETWEEN
BRN & BRN/WHT LEADS



NIDEC MOTOR CORPORATION 19-Jun-13

MODEL	REF	CUSTOMER	HP	VOLTS	AMPS	HZ	RPM	ROTATION	CUSTOMER PN
K55HXWRM-0126	A31014	WHOLESALE - HAC	1/2	460	1.4	60/50	1115	CCW LEAD END REV	3738PEP

SHEET NUMBER	REV	REVISION RECORD FOR: C7803-50		
1 OF 1	C	DELETED NOTE		
REVISION DATE				
19-JUN-13				
ISSUED BY	REVIEWED BY	ENGINEER APPROVED		
B. RUIZ	N. CALVIN	B. GAITAN		

INFORMATION DISCLOSED ON THIS DOCUMENT IS CONSIDERED PROPRIETARY AND SHALL NOT BE REPRODUCED OR DISCLOSED WITHOUT WRITTEN CONSENT OF NIDEC MOTOR CORPORATION	
ALL DIMENSIONS ARE FOR REFERENCE ONLY UNLESS TOLERANCE IS GIVEN	
TITLE	CODE
ASSEMBLED VIEW	V01
ITEM NO.	SIZE
782029	A

NIDEC MOTOR CORPORATION	
ITEM NO.	SIZE
782029	A