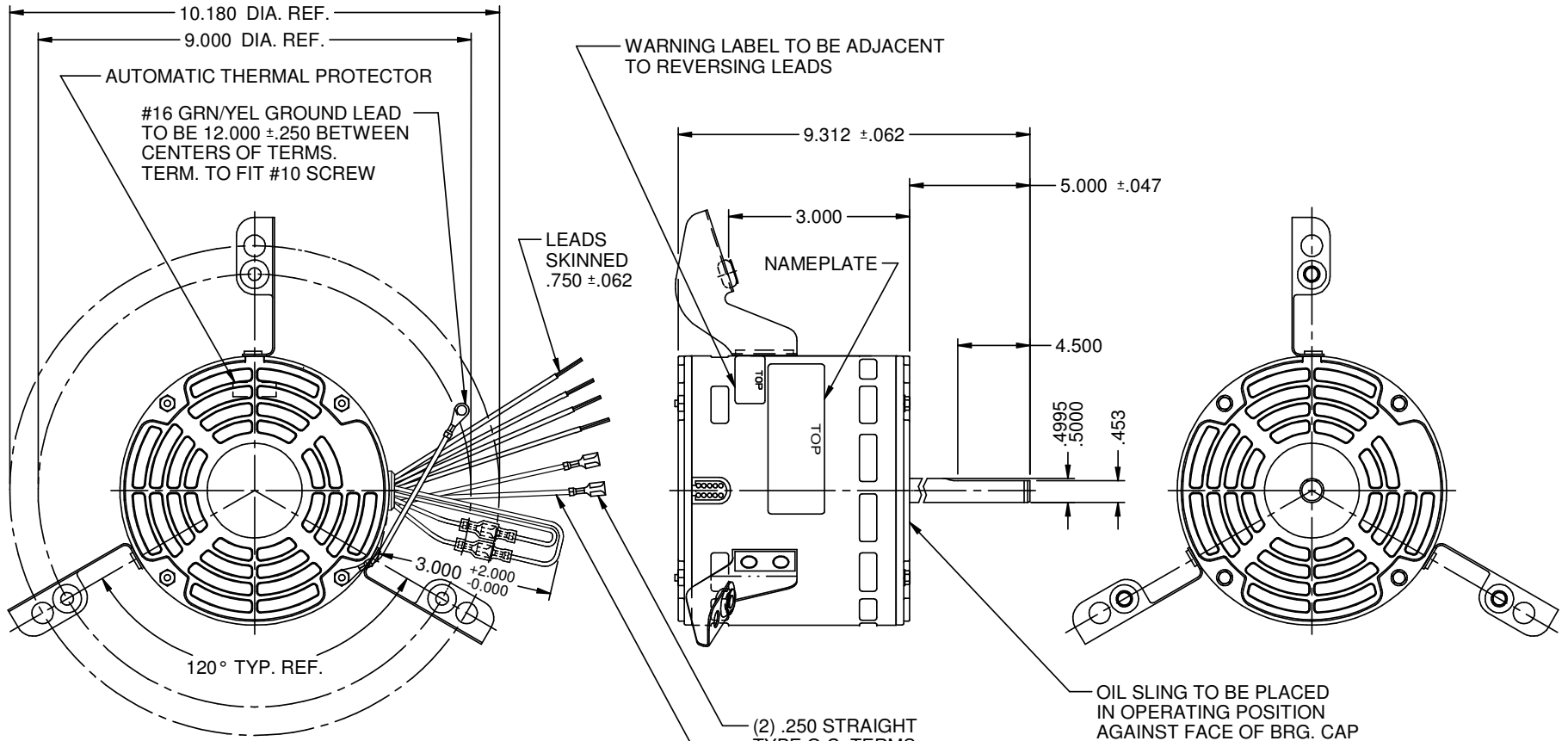


MODEL	REF	CUSTOMER	HP	VOLTS	AMPS	HZ	RPM	ROTATION	CATALOG NO.	DESCRIPTION / REMARKS
K55HXTLS-9489		STANDARD	1/4	208-230	1.7	60	1075/3 SPD	CCW. LEAD END REV	3784	



NOTE:
 1.) OUTER BOLT CIRCLE DIA. DIM. IS FOR MANUFACTURING REFERENCE ONLY.
 2.) (4) LEADS, #18 .031 THICK INSUL. (2) YELLOW & (2) ORANGE FOR REVERSING ROTATION.

6 LEADS, #18, .031 THICK INSUL. TO EXTEND BEYOND MOTOR:
 WHT= 24.000 +2 -0, BLK= 24.000 +2 -0,
 BLU= 24.000 +2 -0, RED= 24.000 +2 -0,
 BRN= 24.000 +2 -0, BRN/WHT= 24.000 +2 -0

WARNING LABEL TO BE ADJACENT TO REVERSING LEADS

(2) .250 STRAIGHT TYPE Q.C. TERMS. WITH INSUL. GRIP ON BRN LEADS ONLY

NIDEC MOTOR CORPORATION 12-Jun-17

REFER TO S.E.I.M. 24-1

REVISION RECORD FOR: ECO E28830		DIMENSIONS ARE FOR REFERENCE ONLY		NIDEC MOTOR CORPORATION INFORMATION DISCLOSED ON THIS DOCUMENT IS CONSIDERED PROPRIETARY AND SHALL NOT BE REPRODUCED OR DISCLOSED WITHOUT WRITTEN CONSENT OF NIDEC MOTOR CORPORATION				REVISION DATE: 09-JUN-17	
CREATED DRAWING:		UNLESS TOLERANCE IS SPECIFIED						TITLE: CUSTOMER DETAIL DRAWING	CODE: V02
ISSUED BY: G. MEDINA	ENGINEER APPROVED: H. NAVARRO								