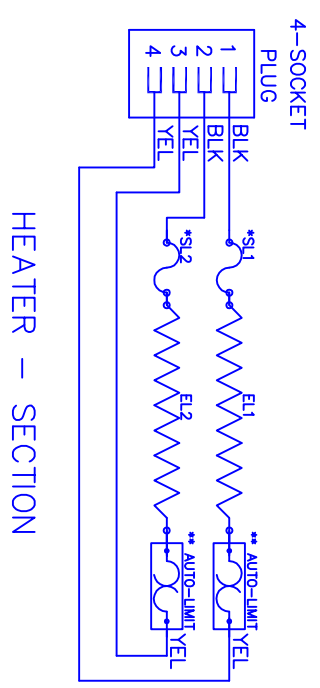
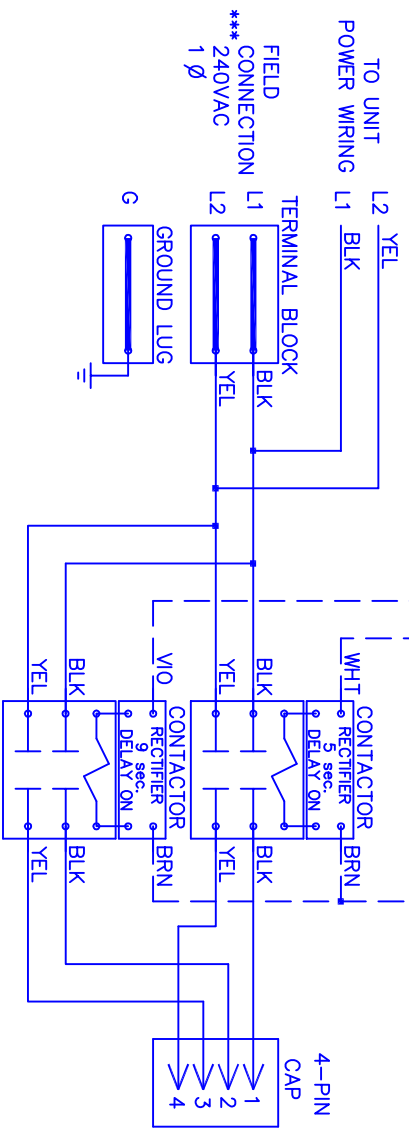


COMMON C ← BRN
 STEP # 1 W2 ← WHT
 STEP # 2 W3 ← VIO

TO UNIT
 CONTROL WIRING (24VAC)



NOTE :

- * Replace "Service Loop" with SL-075B
- ** Replace Auto-Reset with Therm-O-Disc type 60TX11-L165.

*** Power supply wiring per NEC & Local Codes.
 Suitable for at least 75 °C.
 Use copper conductor wiring only.
 Relays utilize 22VDC coils with AC to DC rectifiers.
 Do not use relay without rectifier.
 Replace with factory authorized parts only.
 24VAC, Class 2 power source must not exceed 26.4VAC under any primary input voltage condition per UL/NEC.

Model _____ WZH-0752X
 Serial # _____
 Tag - _____
 Kilowatts _____
 Volts-Ph-Hz _____
 Control Volts _____
 Steps _____
 Heater Amps _____

WZH0752X

Rev. by : M. REEVES
 Date : 02/27/15