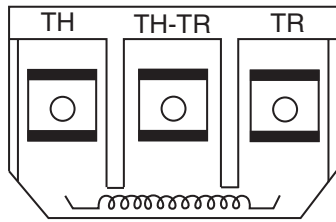
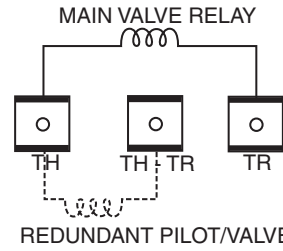


3 terminal panel

Fig. 1



Some models have screw terminals instead of spade terminals shown



Some models may not have redundant valve

Milivolt 3 Terminal Panel

Fig. 2

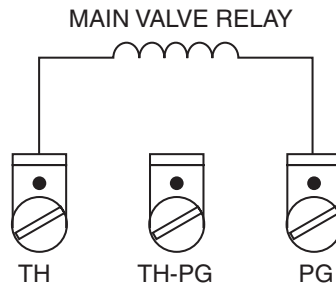
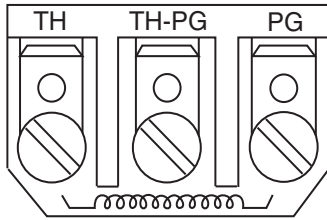


Fig.3

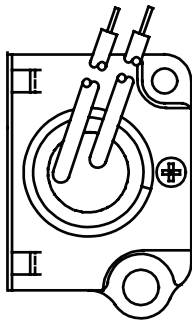
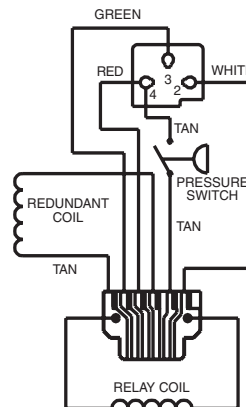
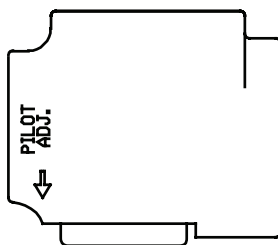
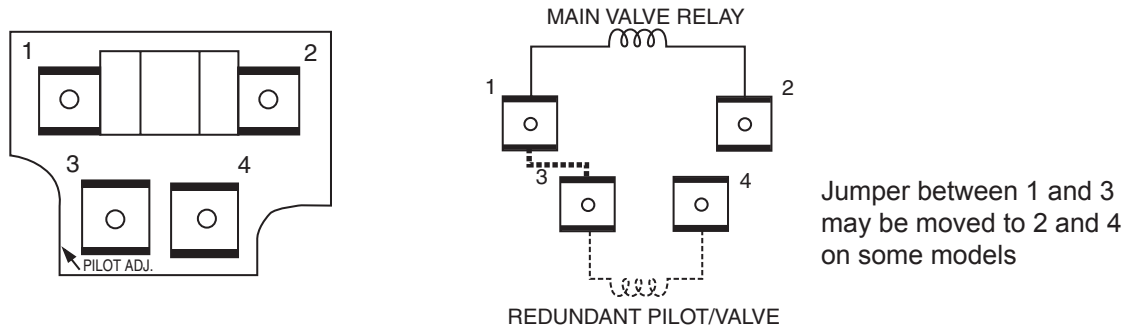


Fig. 4



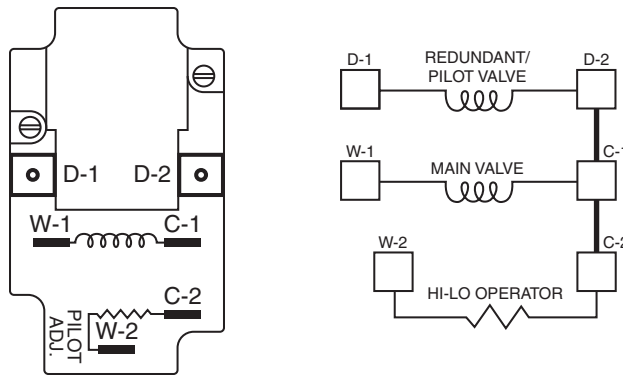
4 terminal panel

Fig. 5



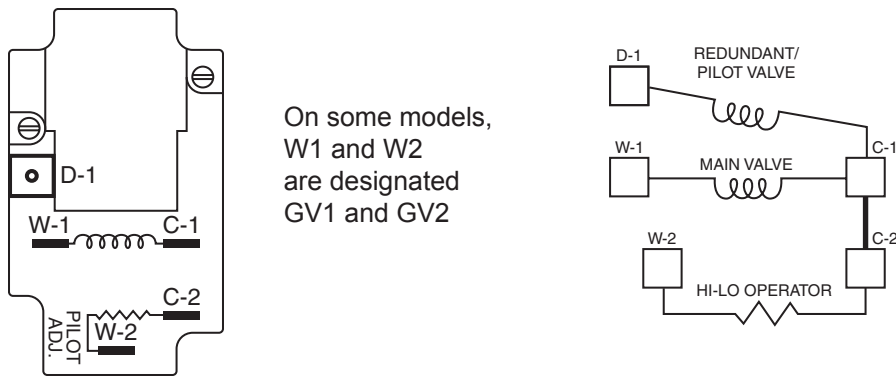
Bi-metal two stage

Fig. 6A



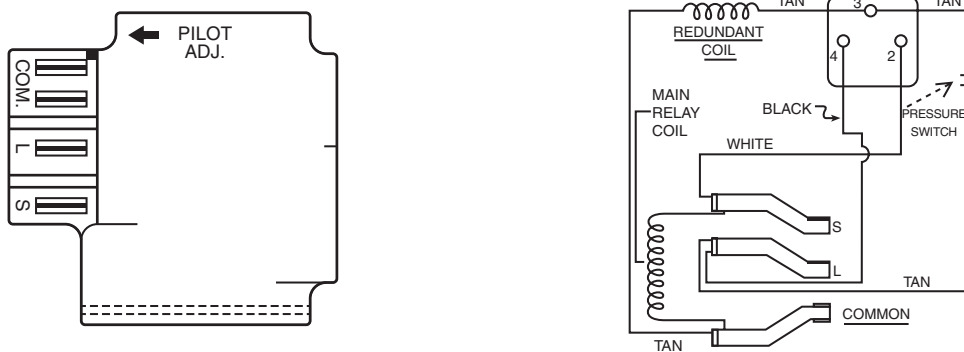
Bi-metal two stage

Fig. 6B



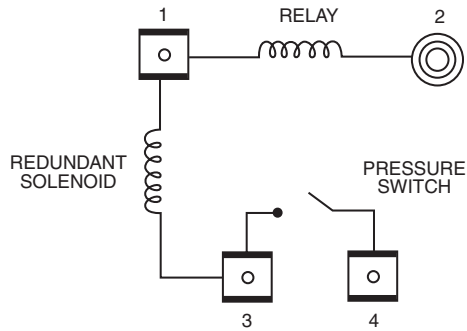
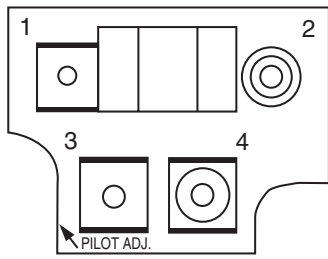
Cycle pilot Plug-in

Fig. 7



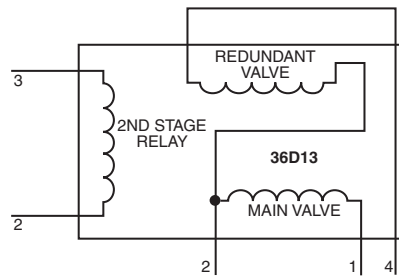
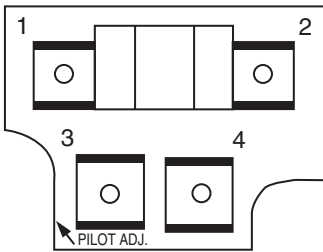
Cycle pilot with 4 terminal panel

Fig. 8



Relay two stage

Fig. 9



2 terminal panel

Fig.10

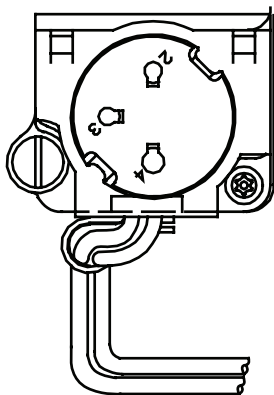
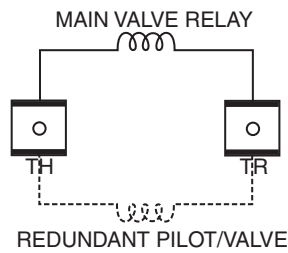
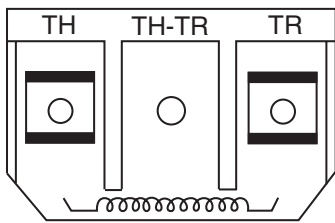


Fig.11

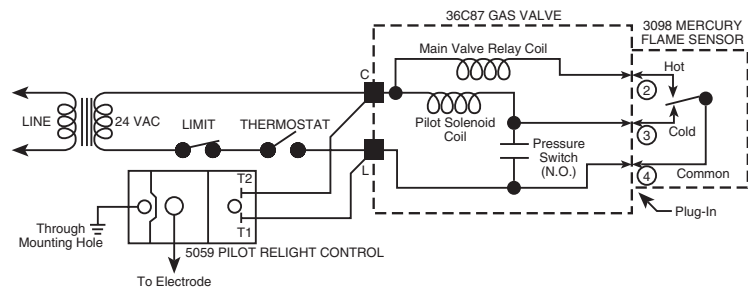


Fig 12

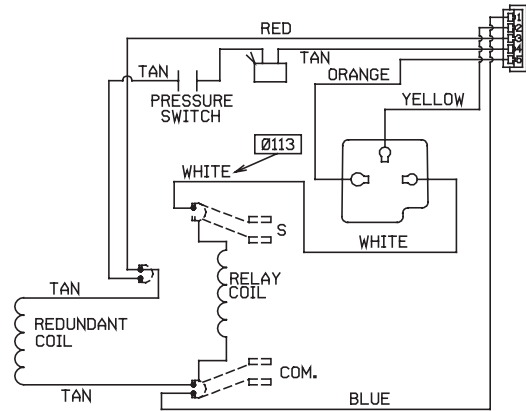
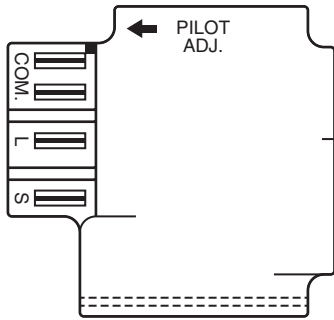


Fig 13

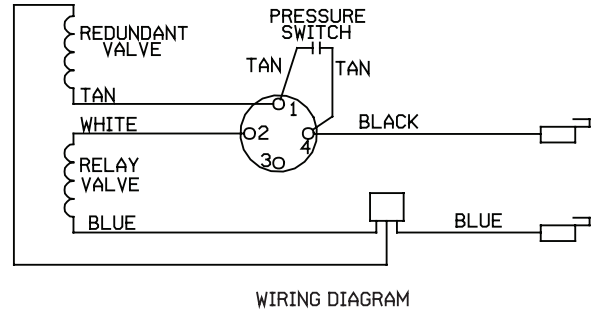
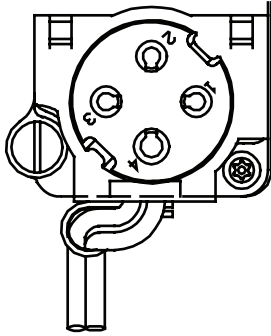


Fig 14

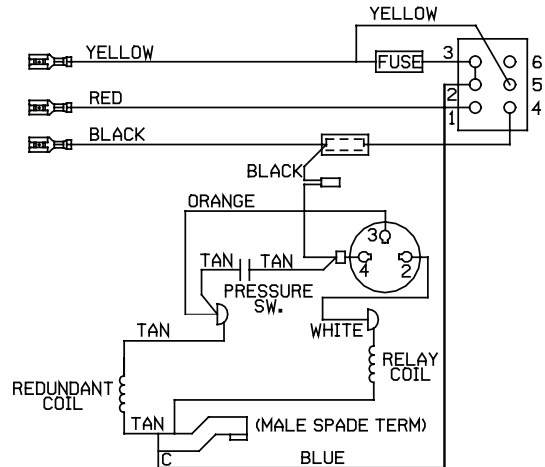
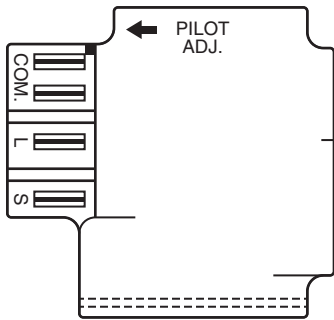
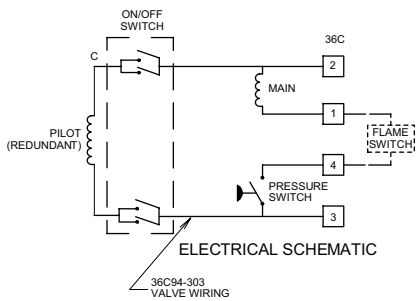


Fig 15



36E93-301 36E93-302 36E93-303 36E93-304 Old Terminals	Description	Term and Size	36C94-303 36C94-302 New Terminals
5	Pilot (Redundant) Coil	1/4" Male Spade	3
1	Main Coil	1/4" Male Spade	1
4	Pressure Switch	1/4" Male Spade with 1/4" x 3/16" adapter installed	4
2	Common	1/4" Male Spade	2